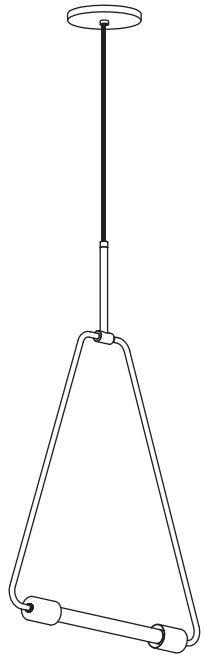
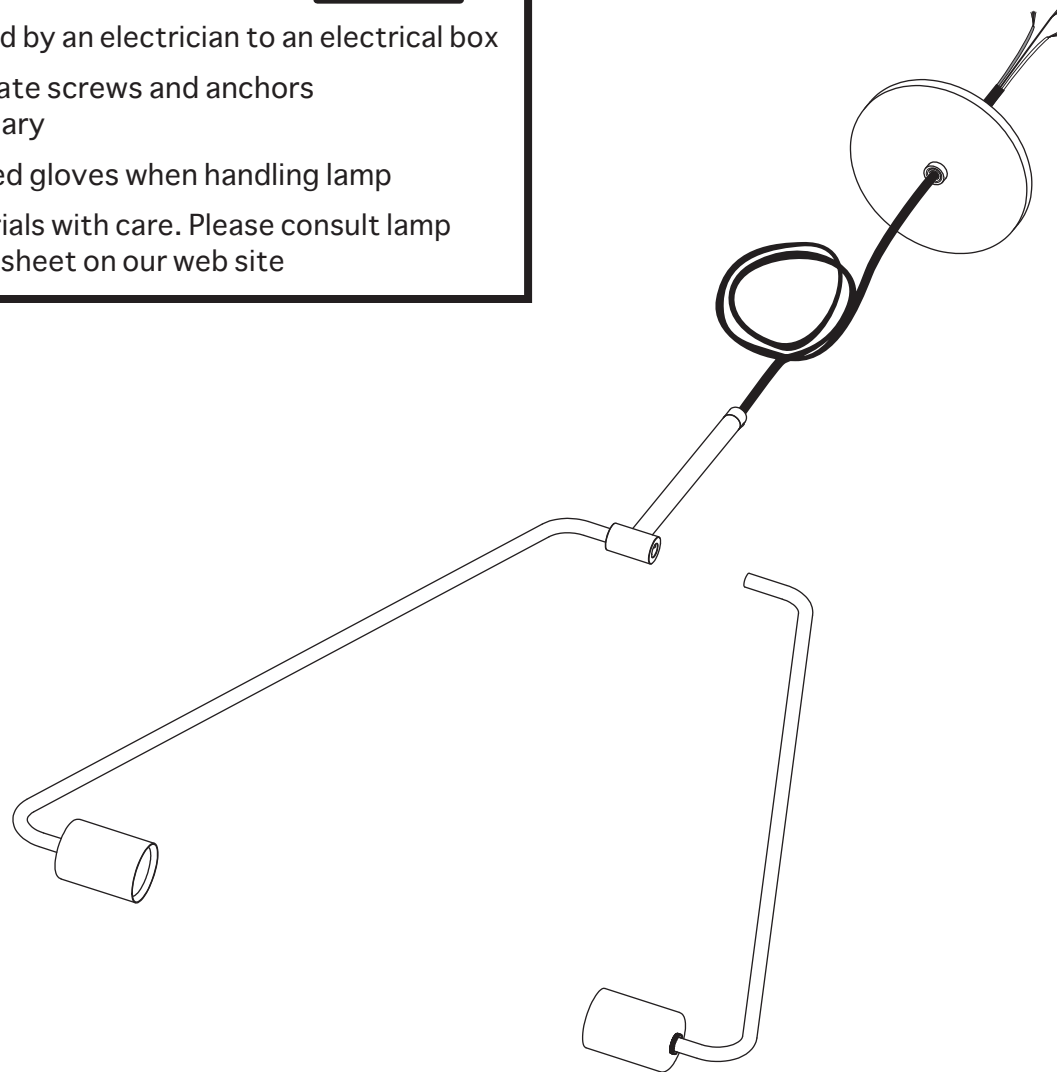


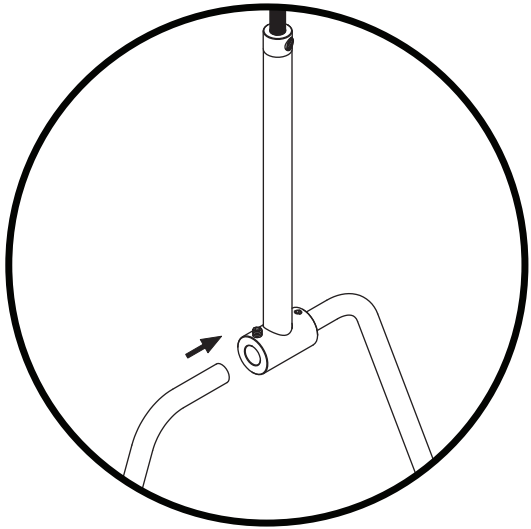
# PERCHOIR

2 x  1 x  1 x  1 x 

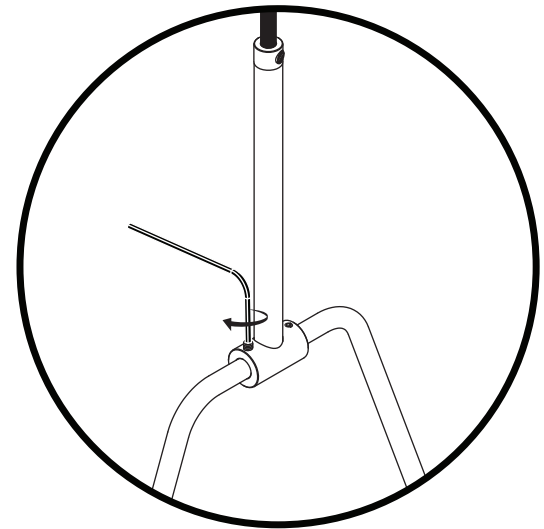
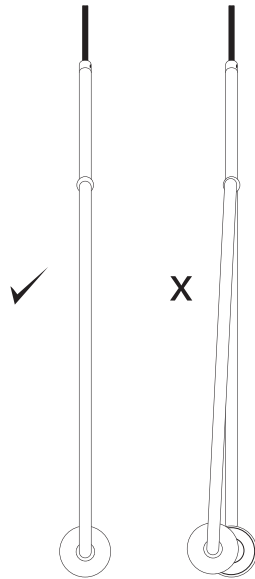


- To be installed by an electrician to an electrical box
- Use appropriate screws and anchors where necessary
- Wear enclosed gloves when handling lamp
- Handle materials with care. Please consult lamp maintenance sheet on our web site



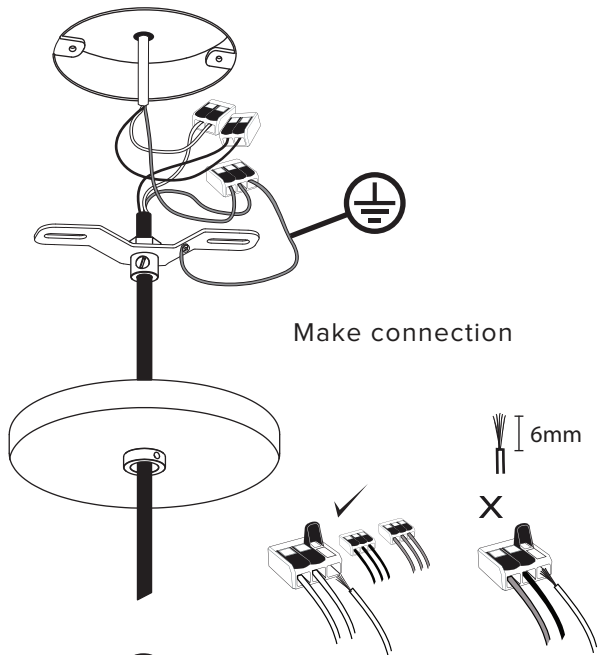


1



\* Screw gently, but firmly

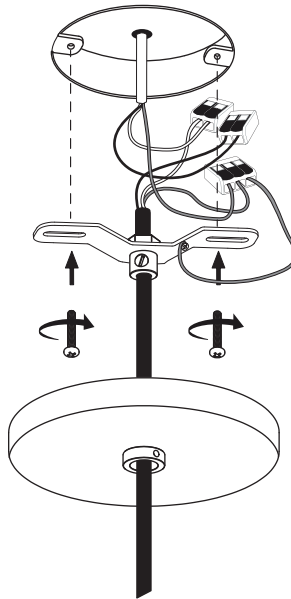
2



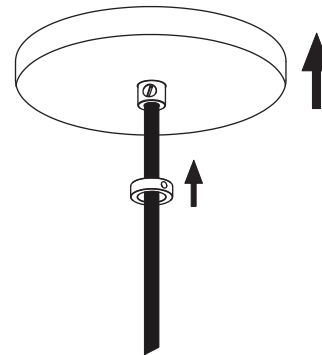
Make connection

6mm

3



4

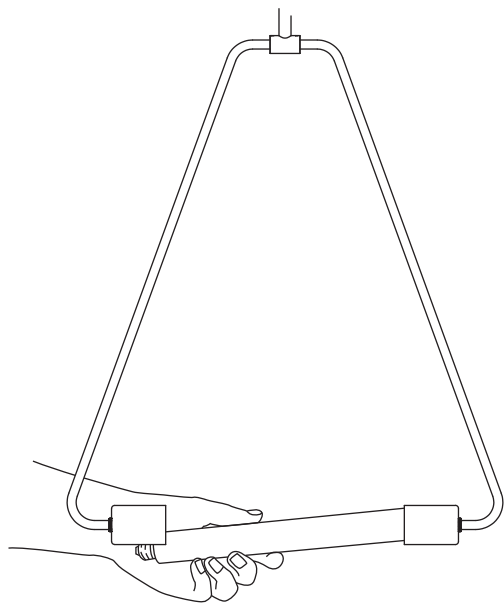


5

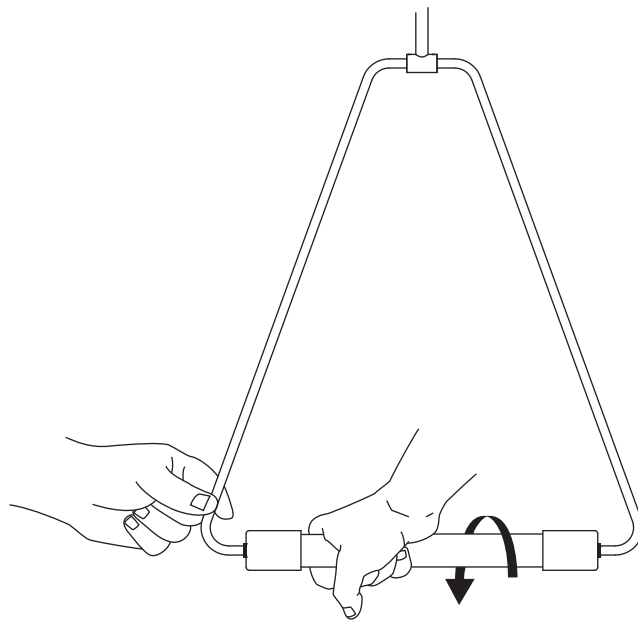
\* Screw gently, but firmly



6



**7**



**8**