

WALDORF WALL LARGE HARDWIRE

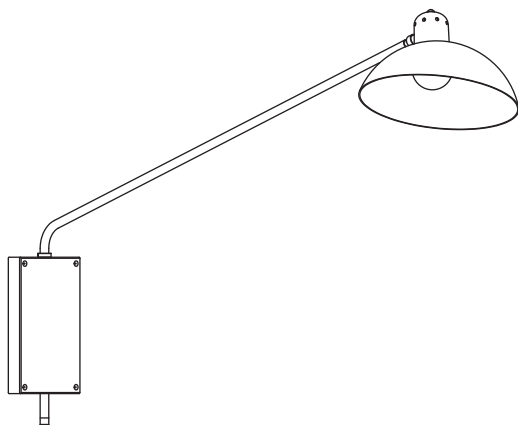
1 x 

4 x 

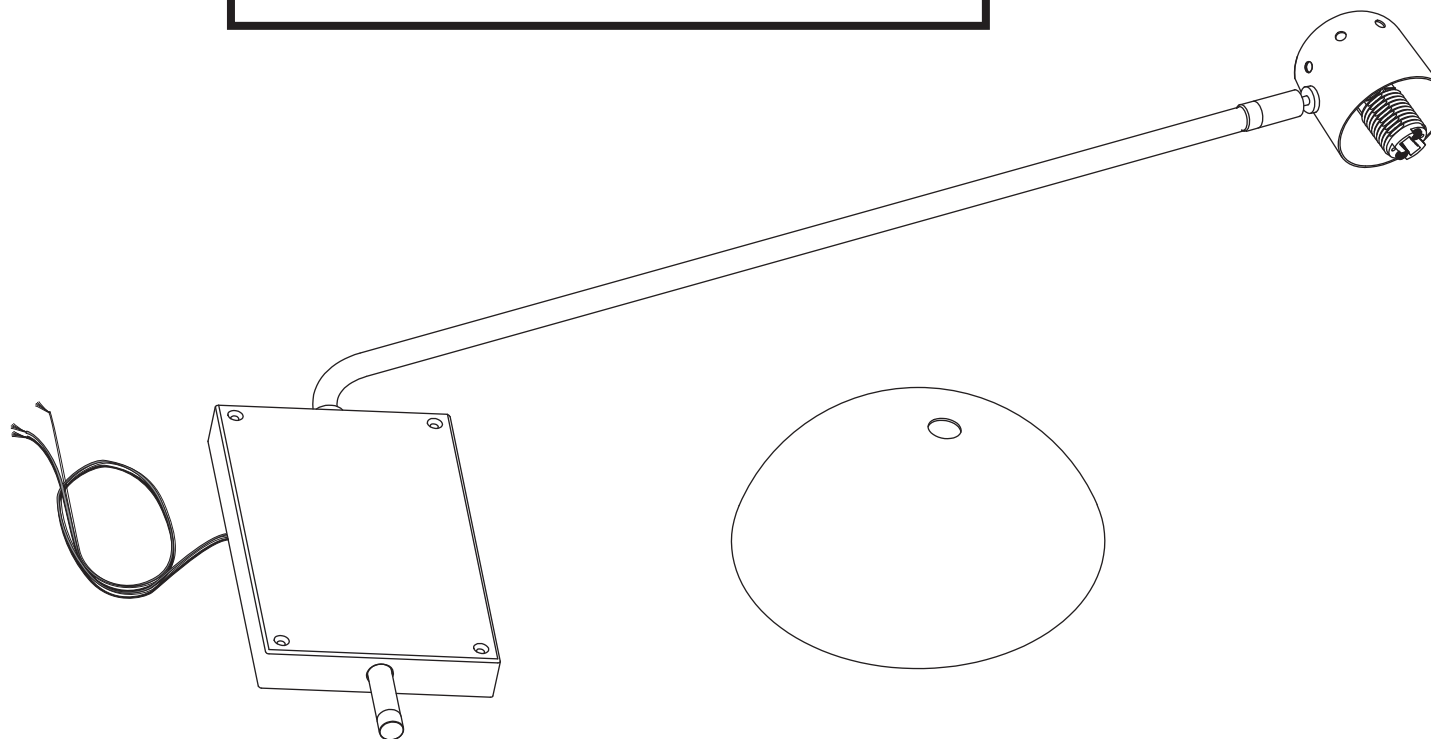
1 x 

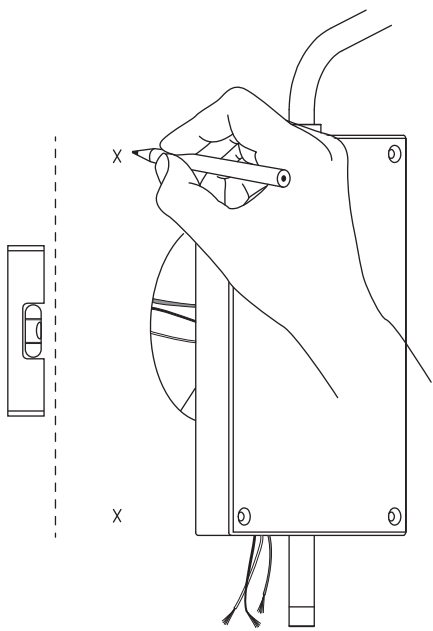
4.5W

1 x 
G60

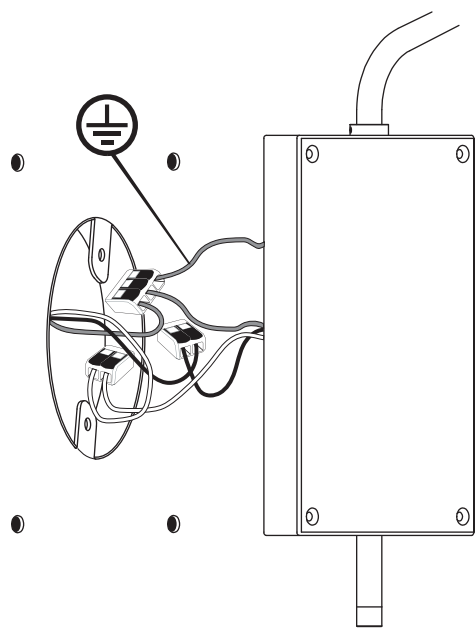


- To be installed by an electrician to an electrical box
- Use appropriate screws and anchors where necessary
- Wear enclosed gloves when handling lamp
- Handle materials with care. Please consult lamp maintenance sheet on our web site

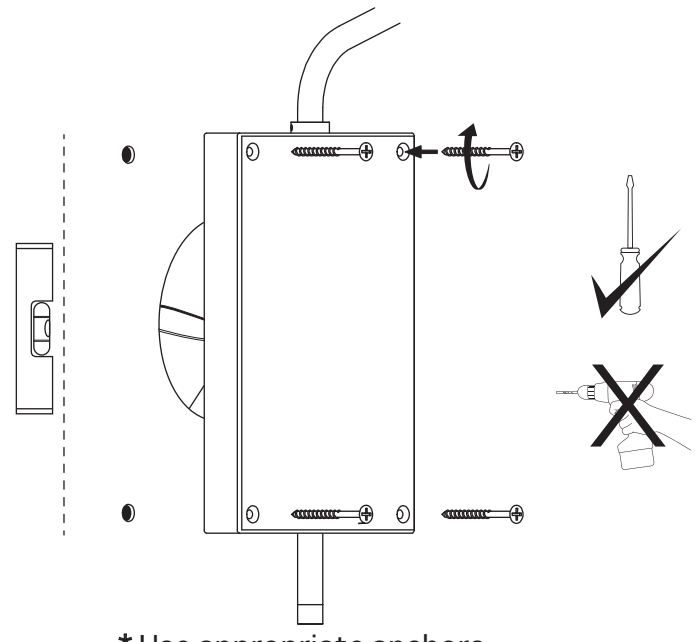




1

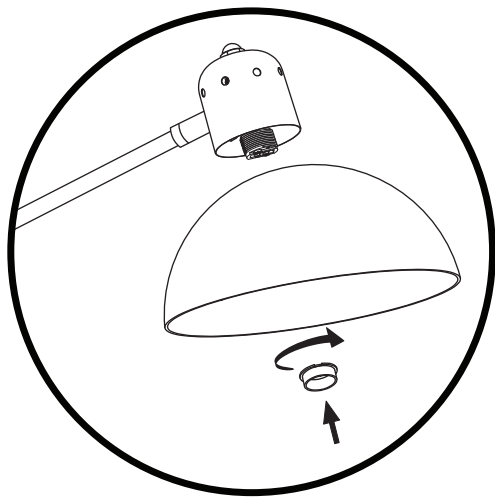


2

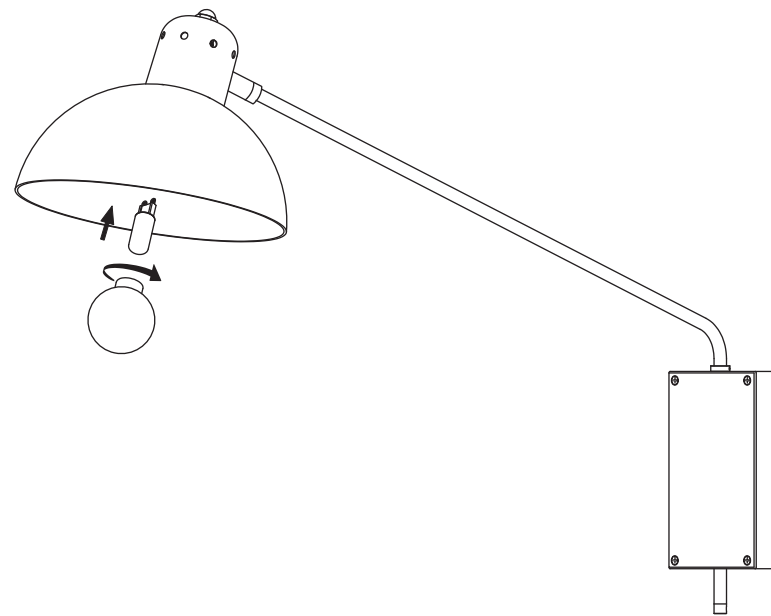


* Use appropriate anchors

3



4



5

