
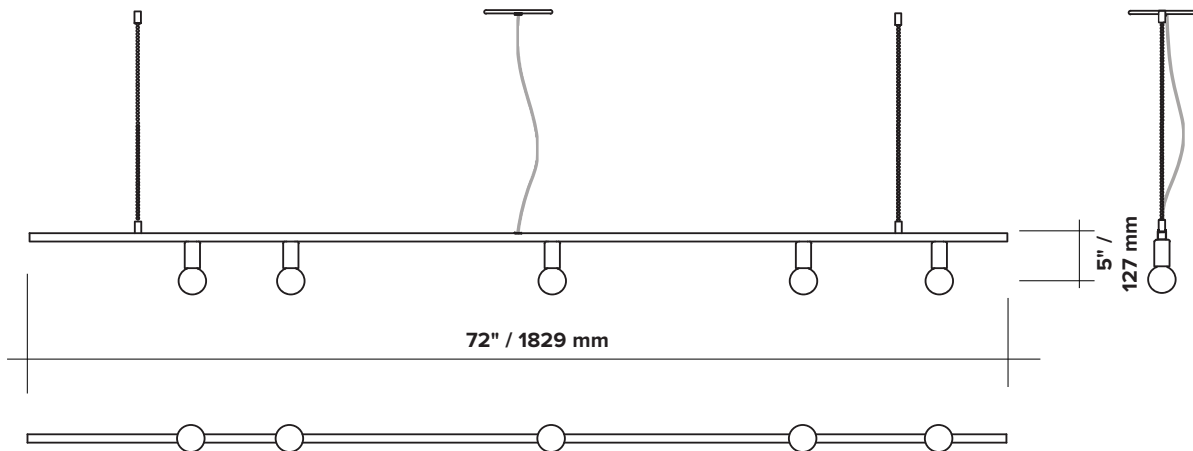


DOT LINE SUSPENSION



<b>type</b>	suspension	
<b>materials</b>	body :	brass (BR) or powder coated aluminium (BL/WH)
	hardware :	brass
	sphere :	milk glass (G50)
	canopy :	powder coated steel (WH)
	chain :	brass
	wire :	nylon
<b>wire length</b>	96" / 2438 mm	
<b>cable length</b>	90" / 2286 mm	
<b>weight</b>	1.8 lb / 0.8 kg	
<b>light bulb</b>	LED (included), 5x 3,5W	
<b>sockets</b>	G9	
<b>voltage</b>	120V / 240V	
<b>dimmer</b>	refer to our recommended list of dimmer models	
<b>certifications</b>		
<b>notes</b>	<ul style="list-style-type: none"> <li>- must be installed by an electrician</li> <li>- additional charges for modifications or for special orders</li> <li>- lead time between 7-9 weeks</li> <li>- dimensions are approximate and may vary slightly</li> </ul>	



## ORDER GUIDE: SKU

<u>COLLECTION</u>	<u>MODEL</u>	<u>FINISH</u>
-------------------	--------------	---------------

<b>DOT</b> dot	<b>11</b>	<b>BR</b> brass
----------------	-----------	-----------------

		<b>BL</b> black
--	--	-----------------

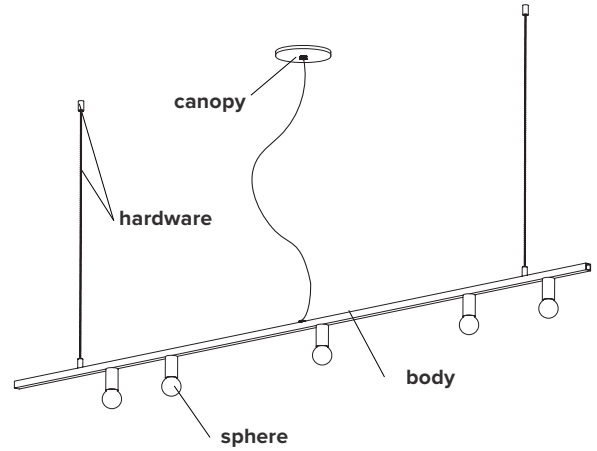
		<b>WH</b> white
--	--	-----------------

**DOT**

**11**

**BR**

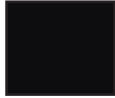
= **DOT11BR**  
example



### FINISH



brass



flat black



flat white

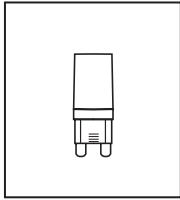
### CANOPY COLOR



flat white

## LIGHT BULB & DIMMER SPECIFICATIONS

### G9 SOCKETS



Frosted  
3.5W  
100V-120V / 240V  
350 Lumens  
2700 K  
25 000 H  
CRI ≥80  
2 years warranty

### SPHERES



G50  $\varnothing \pm 2" / 50 \text{ mm}$



### DIMMER LIST COMPATIBILITY FOR G9 LED BULBS – 120V

The dimming technology offering the best results is ELV (electronic low voltage) dimmers with reverse phase or trailing edge control.

<u>DIMMER BRAND</u>	<u>MODEL NUMBER</u>	<u>MAX LEVEL</u>	<u>MIN LEVEL</u>	<u>FLICKERING</u>	<u>OVERALL QUOTE</u>
LUTRON - MAESTRO	MAELV-600	100%	0%	0%-10%	good
LUTRON - SKYLARK	SELV-300P	100%	0%	no	very good
LUTRON - SKYLARK	SELV-303P	100%	0%	no	very good
LUTRON - SKYLARK	CTELV-303P	100%	0%	no	very good
LUTRON - DIVA	DVELV-300P	100%	0%	no	very good
LEGRAND - ADORNE	TRUE UNIVERSAL	100%	30%	no	good

### DIMMER LIST COMPATIBILITY FOR G9 LED BULBS – 230V

<u>DIMMER BRAND</u>	<u>MODEL NUMBER</u>	<u>MAX LEVEL</u>	<u>MIN LEVEL</u>	<u>FLICKERING</u>	<u>OVERALL QUOTE</u>
VARILIGHT	V-PRO	100%	2%	no	very good
LEGRAND - NILOÉ	3 996 35	87%	15%	no	good
NIKO	310-0280X	94%	5%	no	very good
NIKO	310-0190X	100%	1%	no	very good

\*Other dimmers can yield good results and we recommend conducting your own test before final installation.