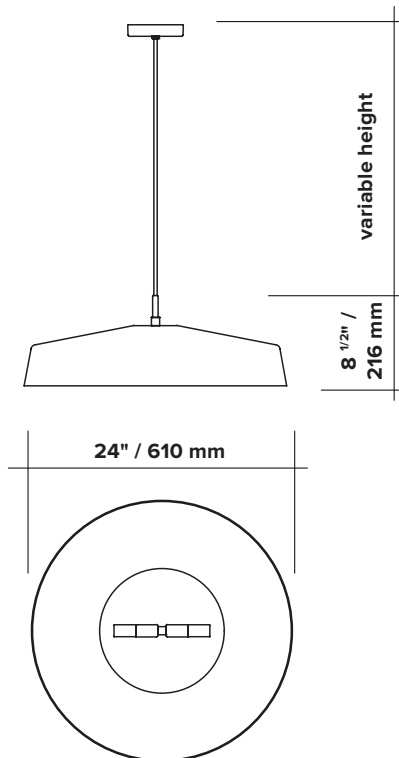


## CLIFF DOME



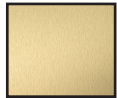
<b>type</b>	suspension
<b>materials</b>	shade : powder coated aluminium hardware : brass disc : brass lamp tube : frosted glass (x2) wire: nylon canopy : powder coated steel
<b>wire length</b>	120" / 3048 mm
<b>weight</b>	13 lb / 5.8 kg
<b>light bulb</b>	LED (included), 2x 4.5W
<b>sockets</b>	G9
<b>voltage</b>	120V / 240V
<b>dimmer</b>	refer to our recommended list of dimmer models
<b>certifications</b>	
<b>notes</b>	<ul style="list-style-type: none"><li>- must be installed by an electrician;</li><li>- additional charges for modifications or for special orders;</li><li>- lead time between 7-9 weeks;</li><li>- dimensions are approximate and may vary slightly.</li></ul>



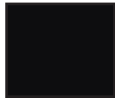
## ORDER GUIDE: SKU

<u>COLLECTION</u>	<u>MODEL</u>	<u>FINISH (shade + hardware)</u>
CLI cliff	05	BLBR black shade , brass hardware BLGR black shade , graphite hardware
CLI	05	BLBR = CLI05BLBR <i>example</i>

### FINISH



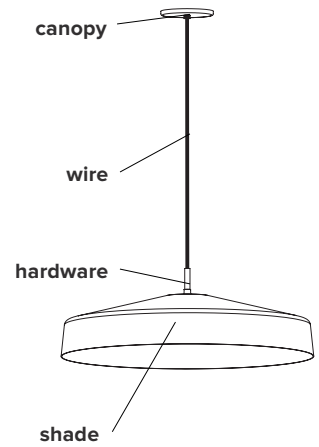
brass



flat black

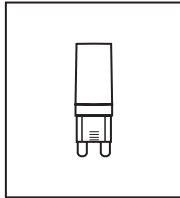


graphite



## LIGHT BULB & DIMMER SPECIFICATIONS

### G9 SOCKETS



Frosted  
4.5W  
100V-120V / 240V  
450 Lumens  
2700 K  
25 000 H  
CRI ≥80  
2 years warranty

### SPHERES



tube Ø 1" / 27 mm  
length ± 2" / 60 mm



### DIMMER LIST COMPATIBILITY FOR G9 LED BULBS – 120V

The dimming technology offering the best results is ELV (electronic low voltage) dimmers with reverse phase or trailing edge control.

<u>DIMMER BRAND</u>	<u>MODEL NUMBER</u>	<u>MAX LEVEL</u>	<u>MIN LEVEL</u>	<u>FLICKERING</u>	<u>OVERALL QUOTE</u>
LUTRON - MAESTRO	MAELV-600	100%	0%	0%-10%	good
LUTRON - SKYLARK	SELV-300P	100%	0%	no	very good
LUTRON - SKYLARK	SELV-303P	100%	0%	no	very good
LUTRON - SKYLARK	CTELV-303P	100%	0%	no	very good
LUTRON - DIVA	DVELV-300P	100%	0%	no	very good
LEGRAND - ADORNE	TRUE UNIVERSAL	100%	30%	no	good

### DIMMER LIST COMPATIBILITY FOR G9 LED BULBS – 230V

<u>DIMMER BRAND</u>	<u>MODEL NUMBER</u>	<u>MAX LEVEL</u>	<u>MIN LEVEL</u>	<u>FLICKERING</u>	<u>OVERALL QUOTE</u>
VARILIGHT	V-PRO	100%	2%	no	very good
LEGRAND - NILOÉ	3 996 35	87%	15%	no	good
NIKO	310-0280X	94%	5%	no	very good
NIKO	310-0190X	100%	1%	no	very good

\*Other dimmers can yield good results and we recommend conducting your own test before final installation.