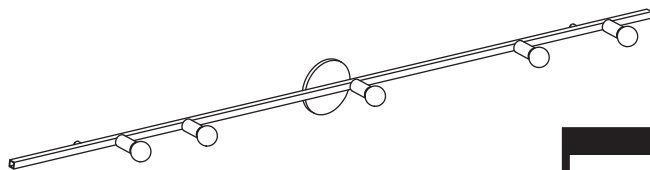
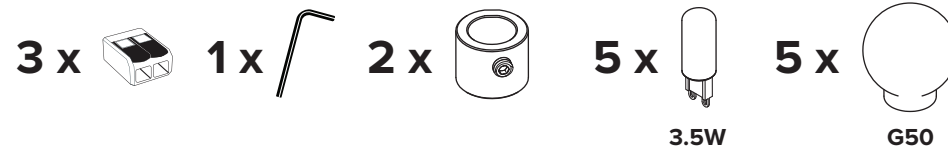
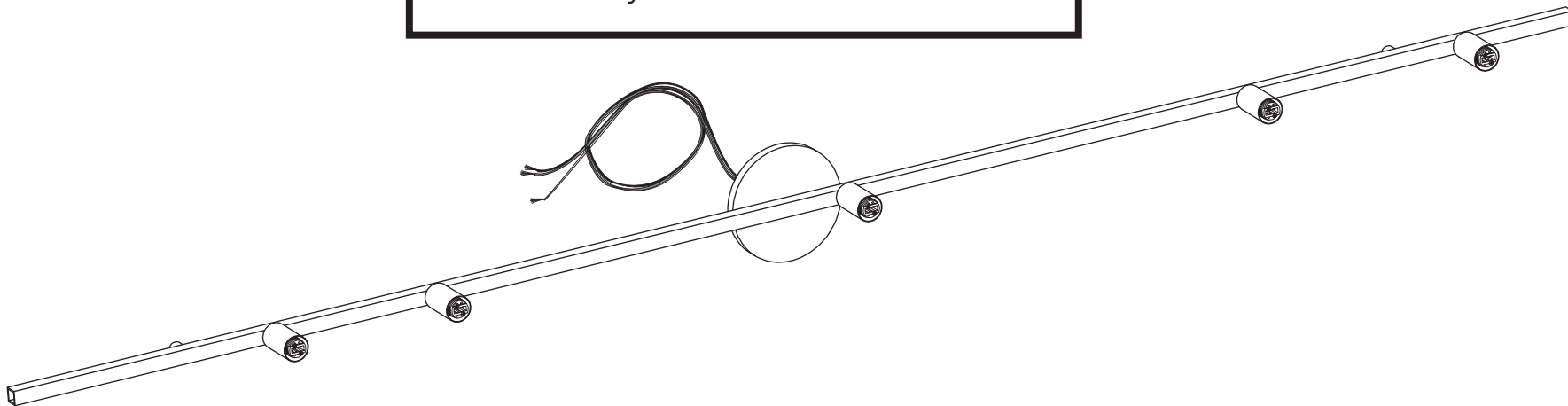
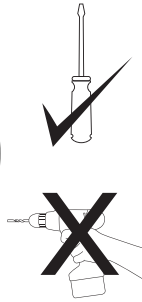
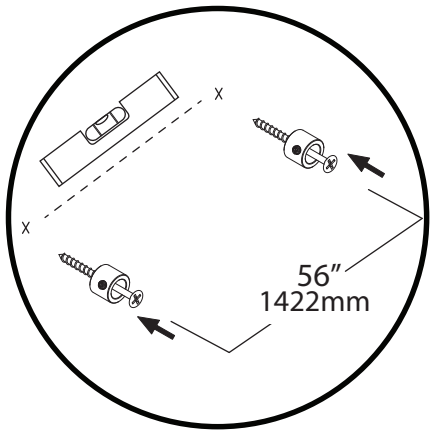


## DOT LINE WALL HARDWARE



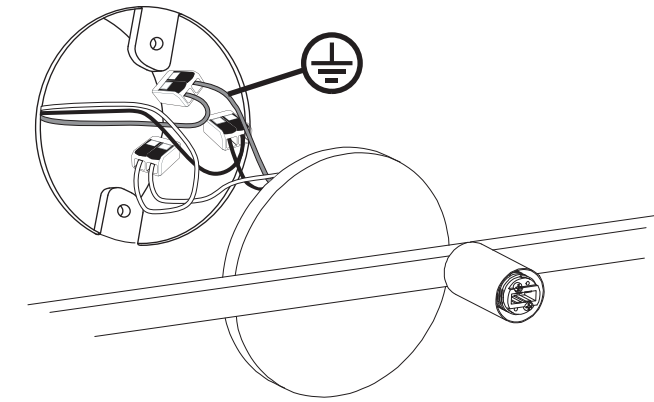
- To be installed by an electrician to an electrical box
- Use appropriate screws and anchors where necessary
- Wear enclosed gloves when handling lamp
- Handle materials with care. Please consult lamp maintenance sheet on our web site
- Should be used exclusively as a lamp and not as a shelving, display or hanging unit
- Wall mount only



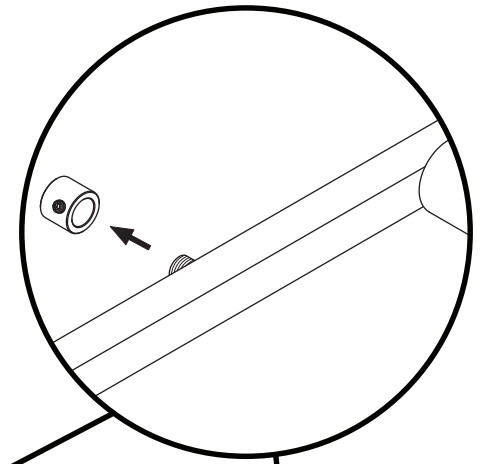


\* Use appropriate anchors

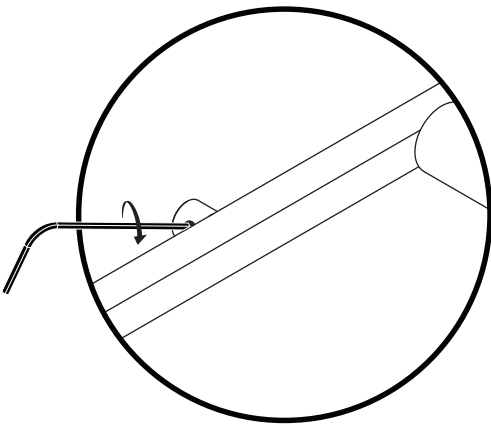
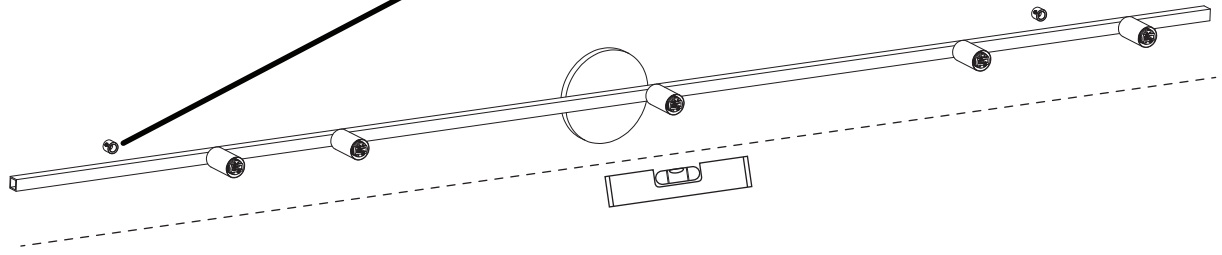
**1**



**2**

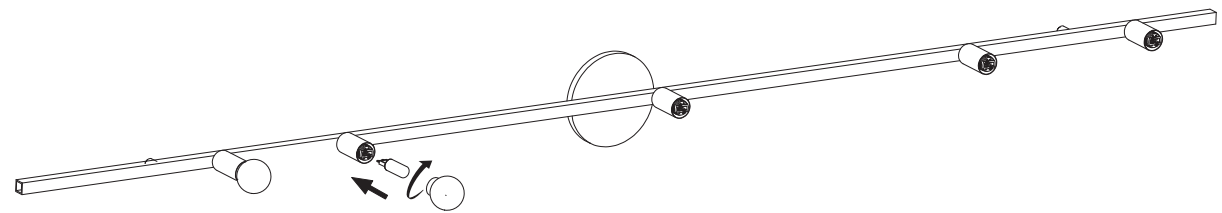


**3**



\* Screw gently, but firmly

**4**



**5**