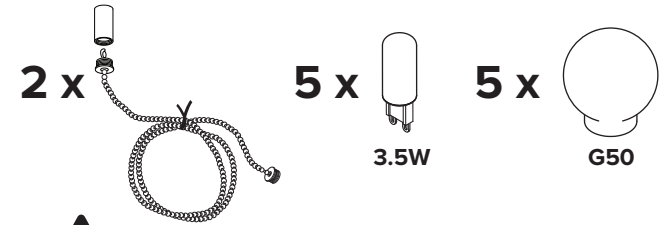
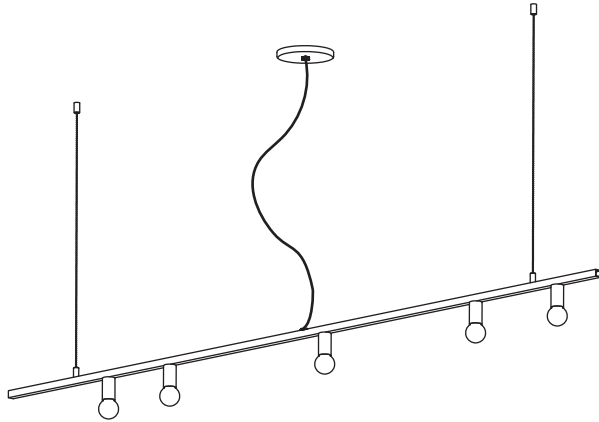
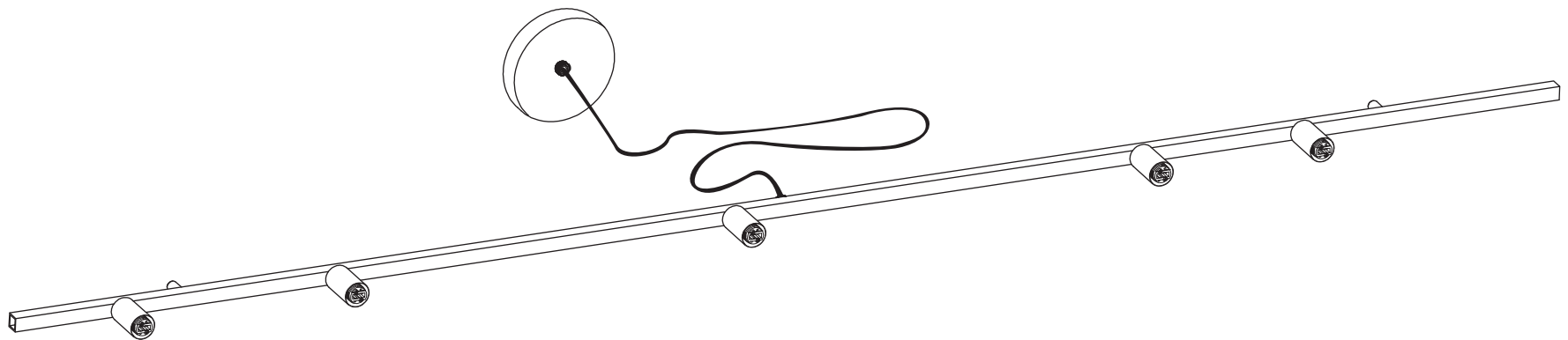


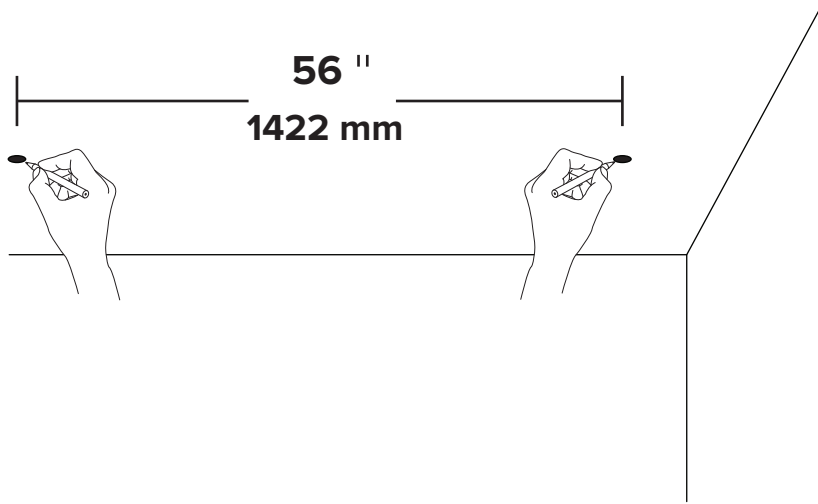
DOT LINE SUSPENSION



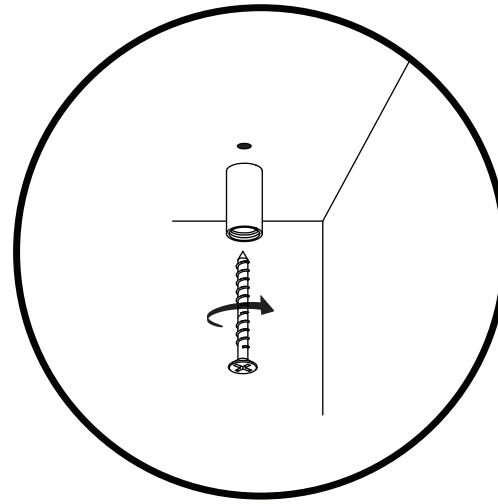
- To be installed by an electrician to an electrical box
- Use appropriate screws and anchors where necessary
- Wear enclosed gloves when handling lamp
- Handle materials with care. Please consult lamp maintenance sheet on our web site
- Should be used exclusively as a lamp and not as a shelving, display or hanging uni

lamp weight **11 lbs / 5 kg**

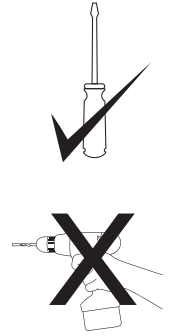




1

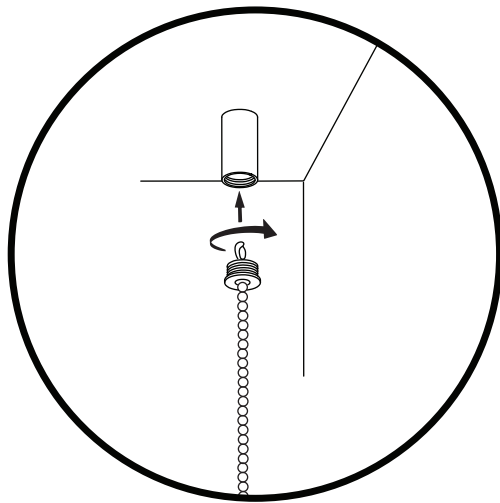


2

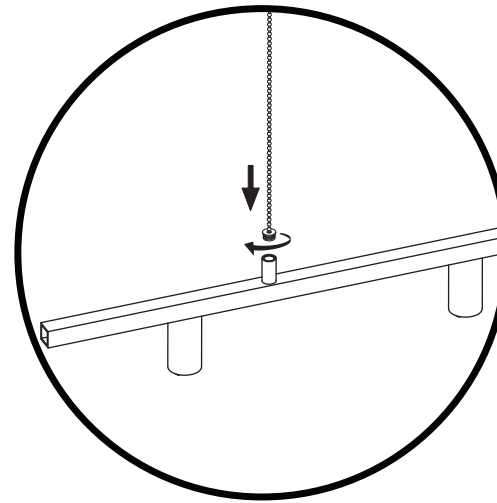


* Make sure to use appropriate anchors

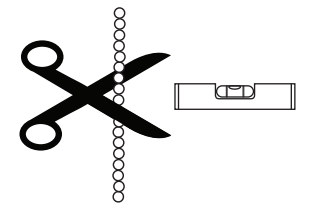
Each anchor must be able to support 27 lbs / 13 kg



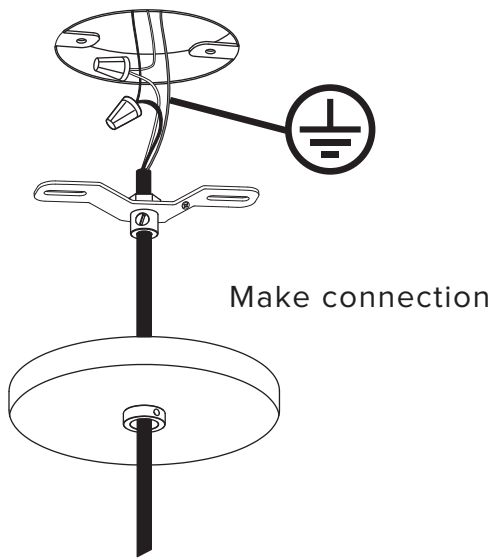
3



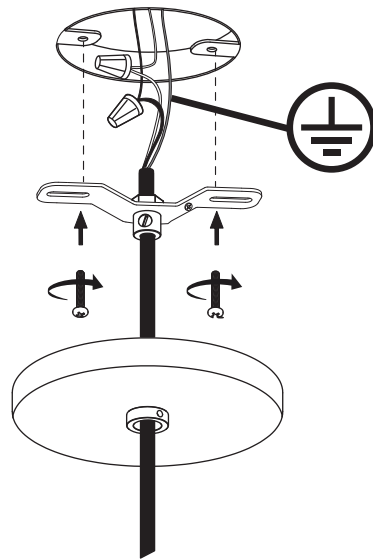
4



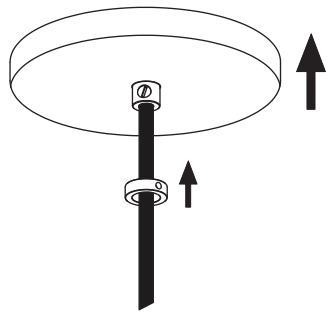
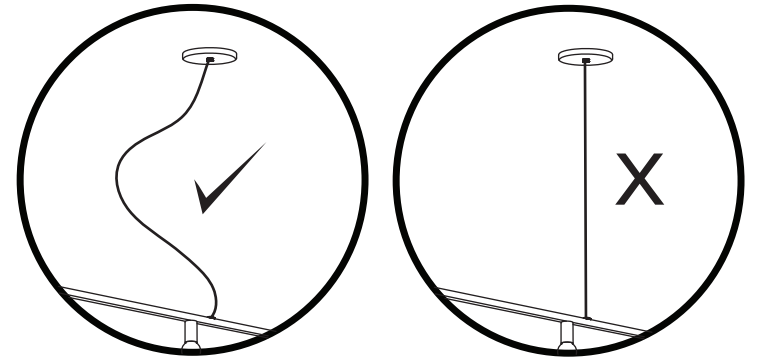
Do not install at less than 4" from the ceiling



5

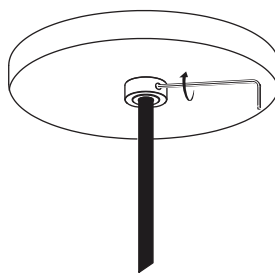


6

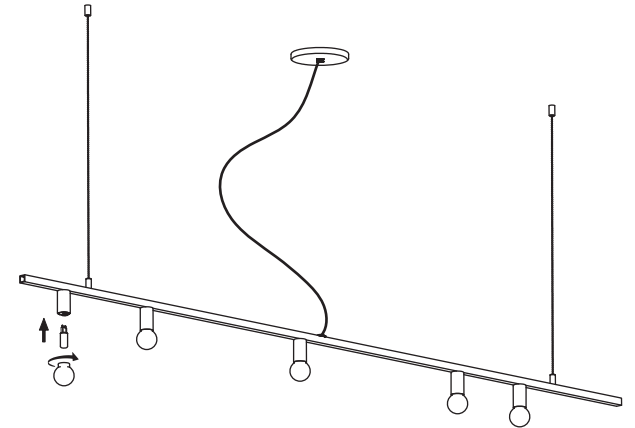


7

* Screw gently, but firmly



8



7