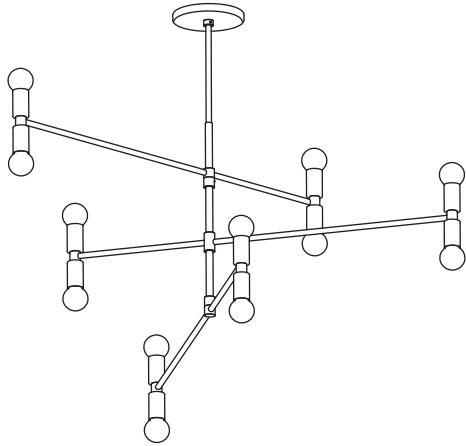




ATOMIUM

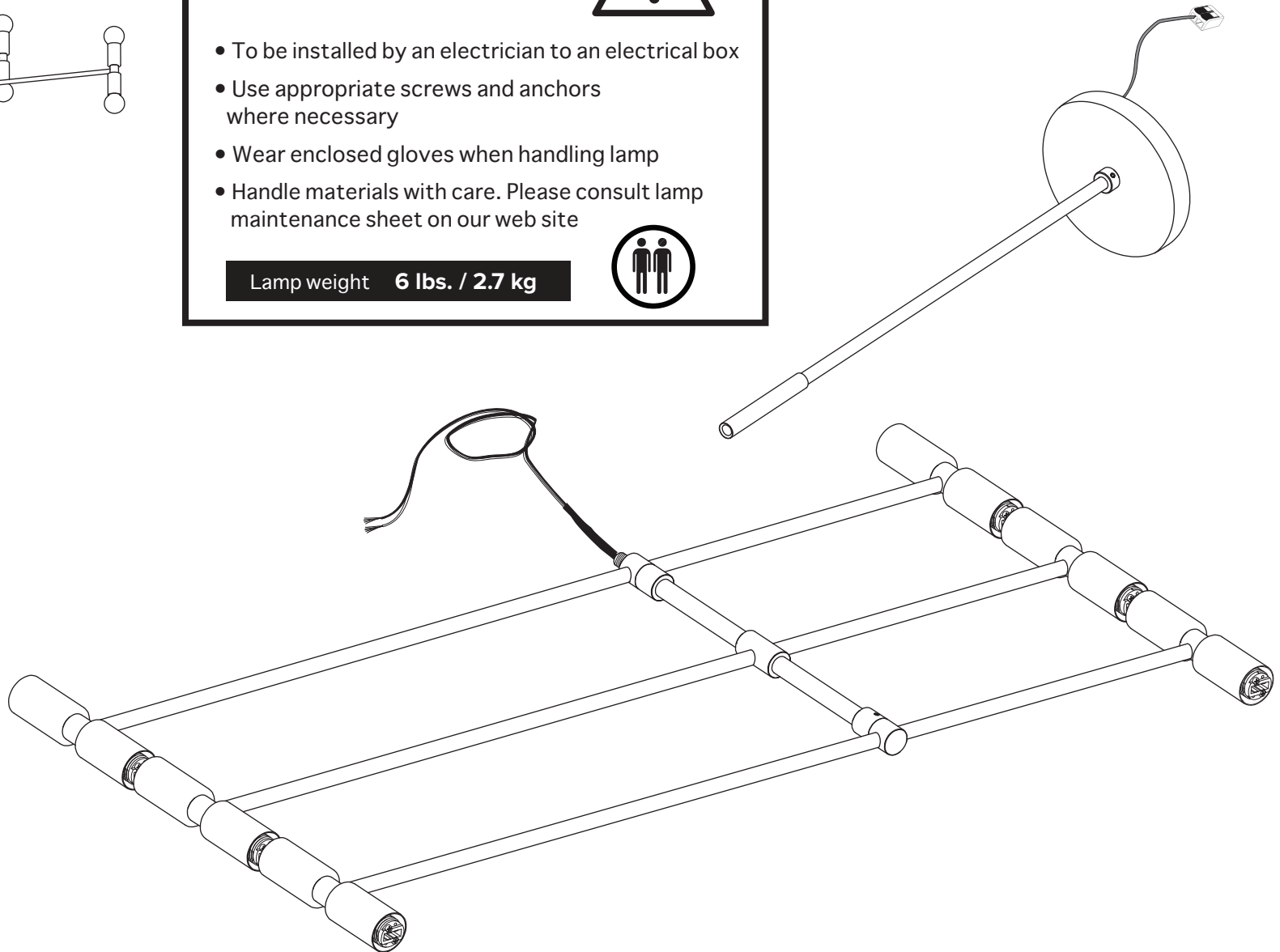


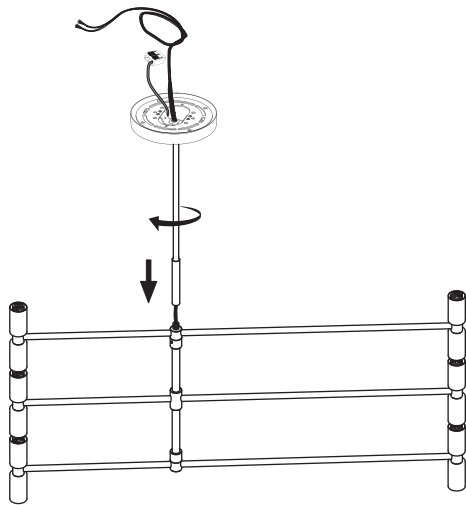


- To be installed by an electrician to an electrical box
- Use appropriate screws and anchors where necessary
- Wear enclosed gloves when handling lamp
- Handle materials with care. Please consult lamp maintenance sheet on our web site

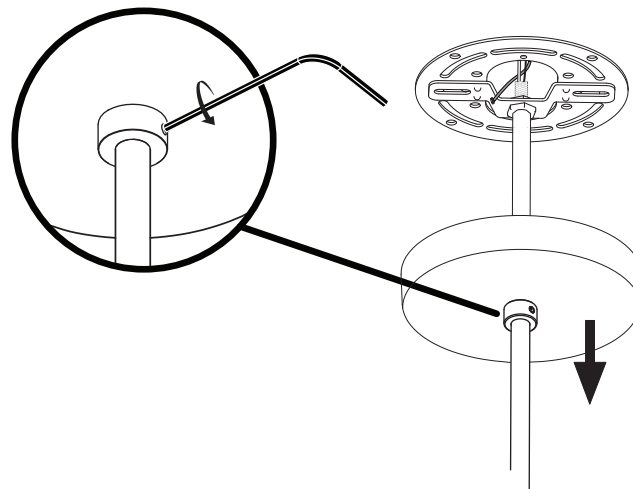
Lamp weight **6 lbs. / 2.7 kg**



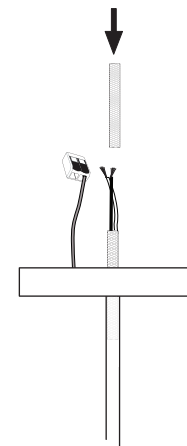




1

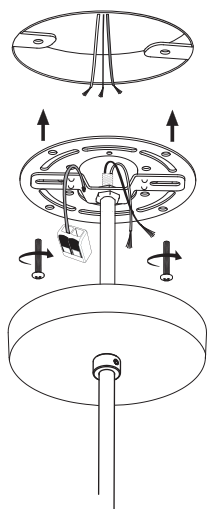


2

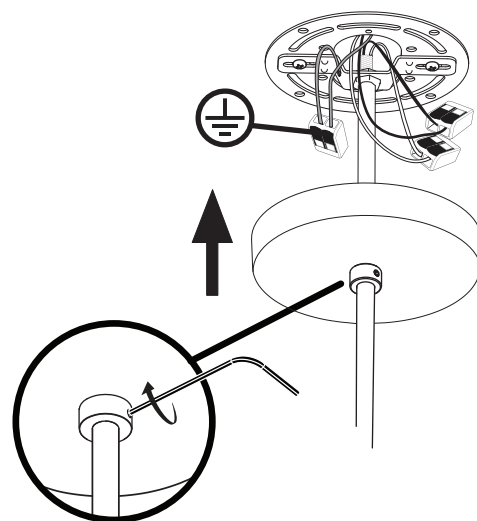


3

* To ensure that your lamp is properly balanced,
PLEASE FOLLOW THESE STEPS CAREFULLY



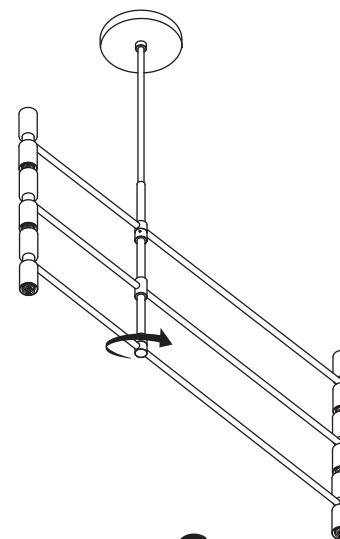
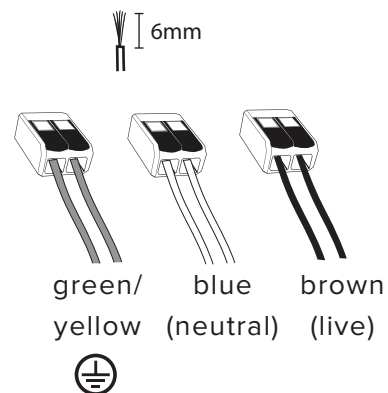
4



* Screw gently, but firmly

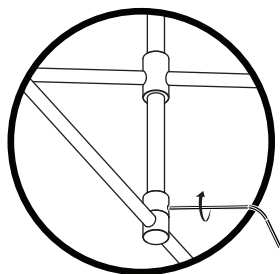
5

Make connection



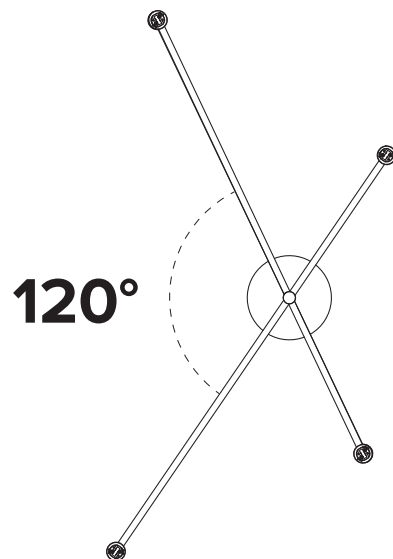
6

* To ensure that your lamp is properly balanced,
PLEASE FOLLOW THESE STEPS CAREFULLY

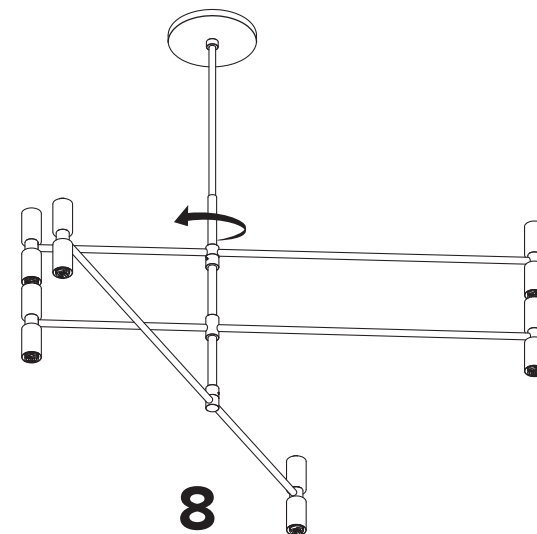


* Screw gently, but firmly
(Do not remove set screw)

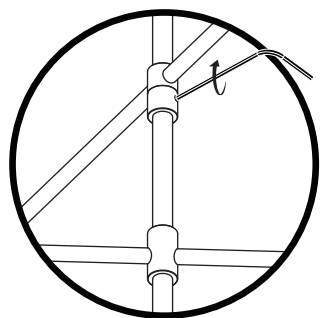
7



120°

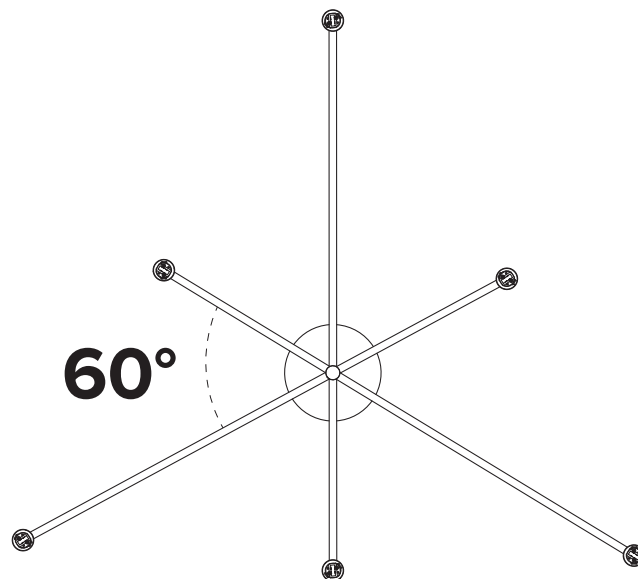


8

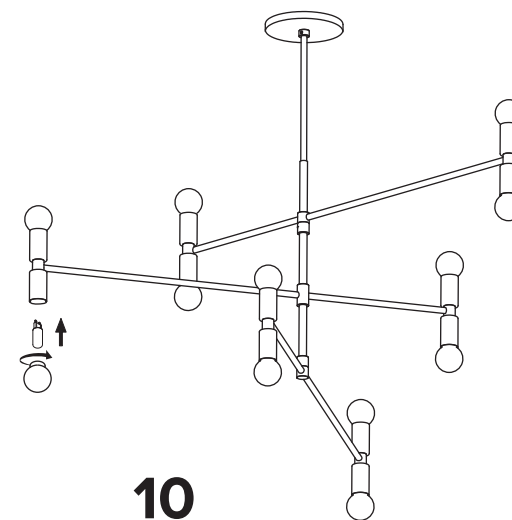


* Screw gently, but firmly
(Do not remove set screw)

9



60°



10