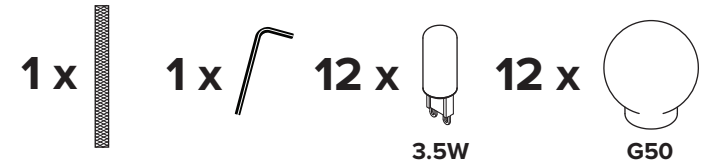
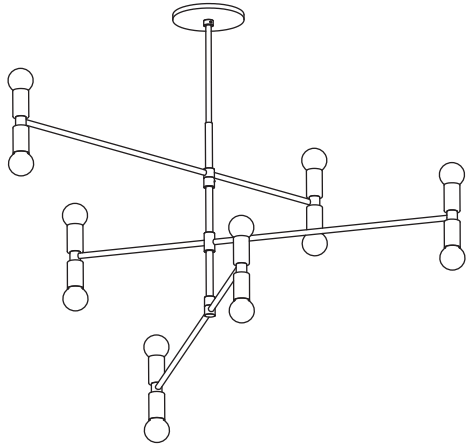
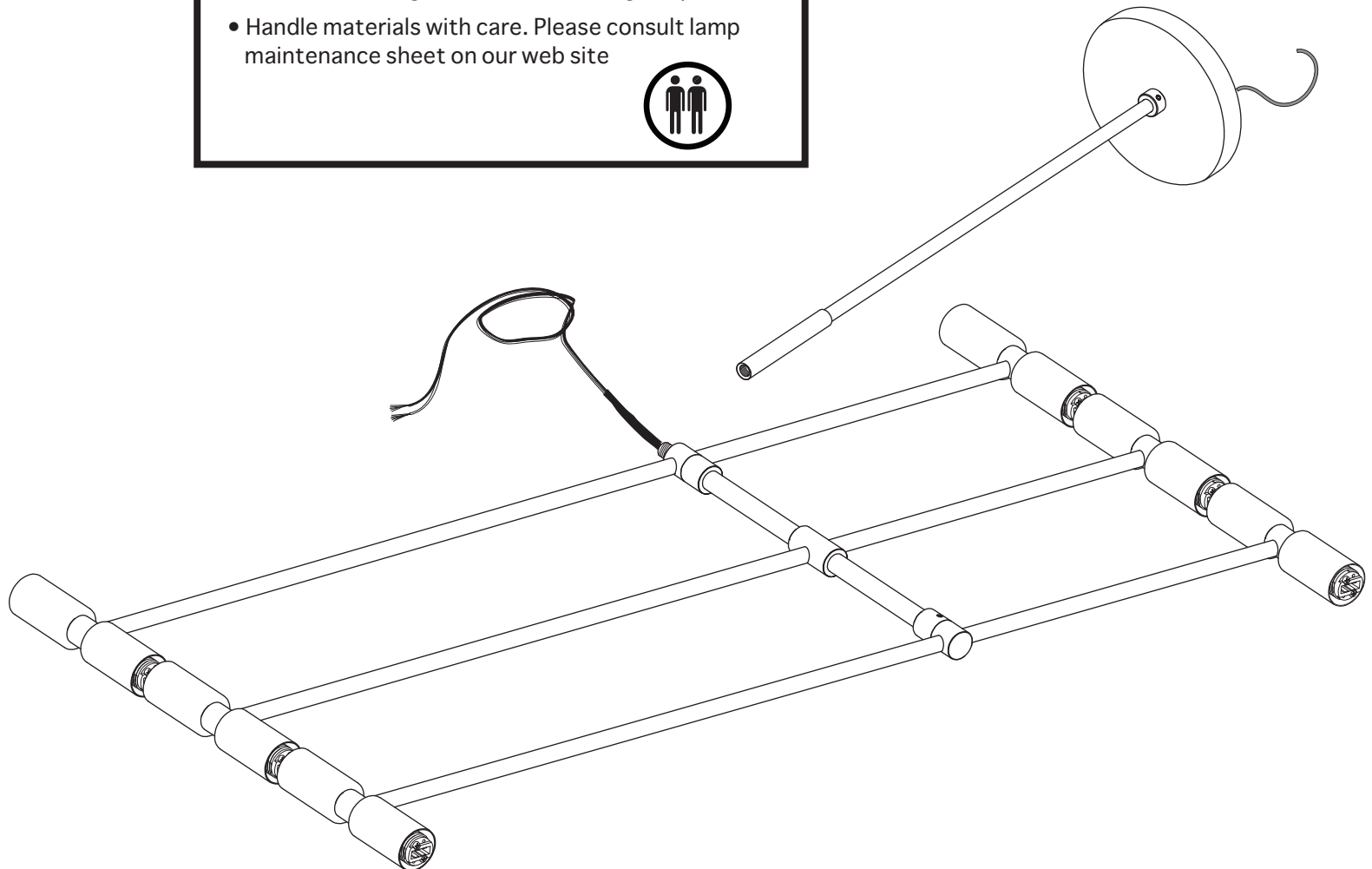
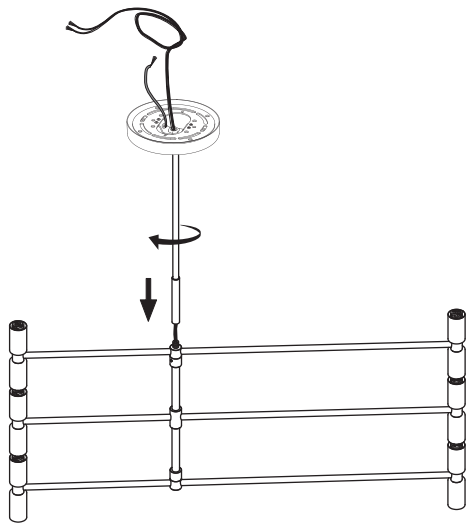


# ATOMIUM

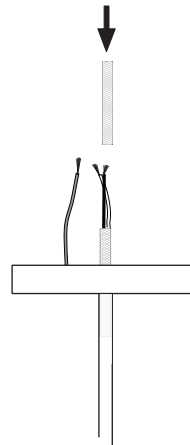


- To be installed by an electrician to an electrical box
- Use appropriate screws and anchors where necessary
- Wear enclosed gloves when handling lamp
- Handle materials with care. Please consult lamp maintenance sheet on our web site

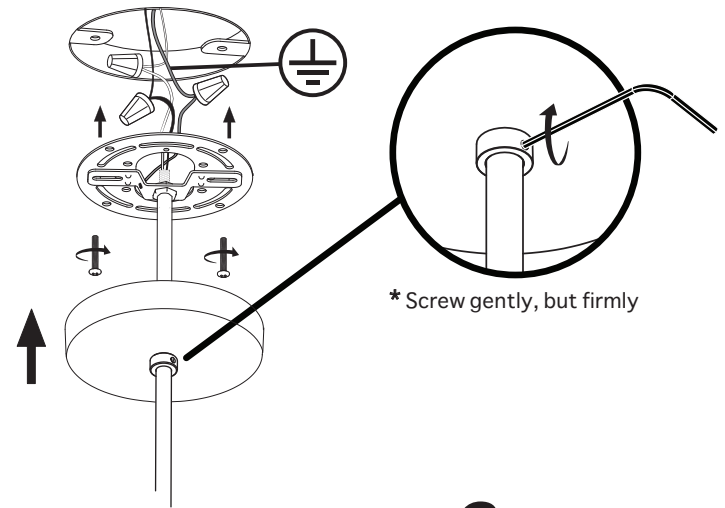




1



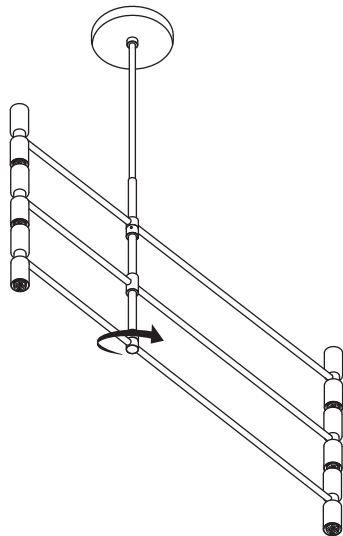
2



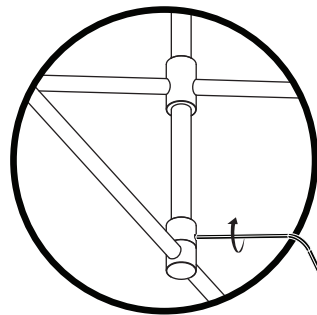
\* Screw gently, but firmly

3

\* To ensure that your lamp is properly balanced,  
**PLEASE FOLLOW THESE STEPS CAREFULLY**

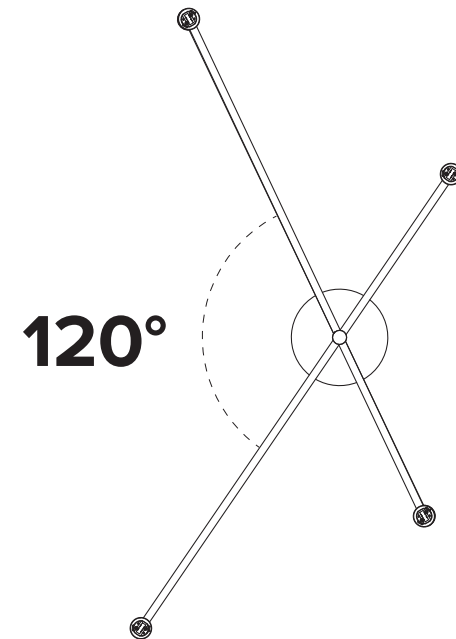


4



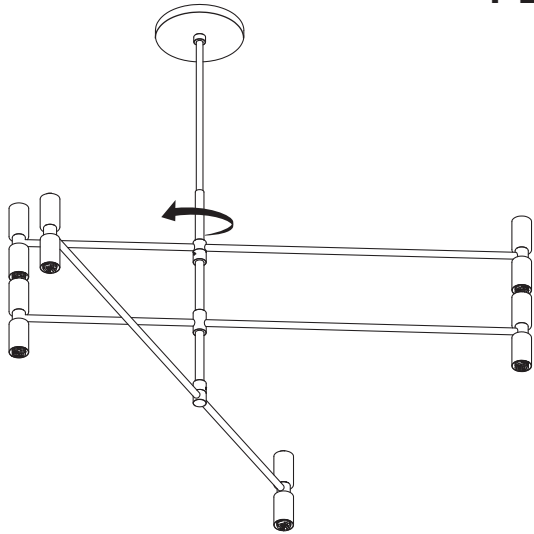
\* Screw gently, but firmly

5

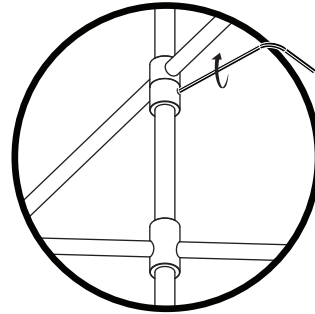


120°

\* To ensure that your lamp is properly balanced,  
**PLEASE FOLLOW THESE STEPS CAREFULLY**

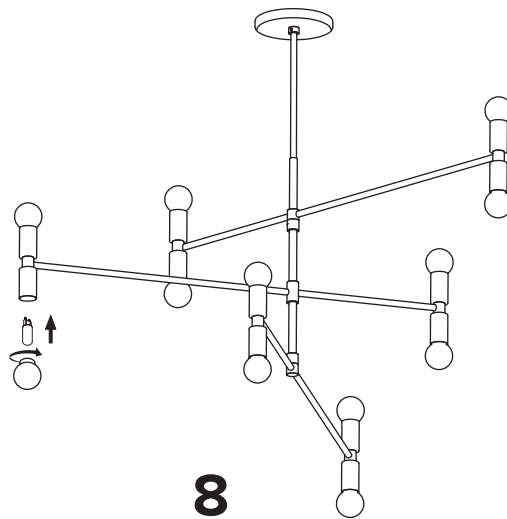
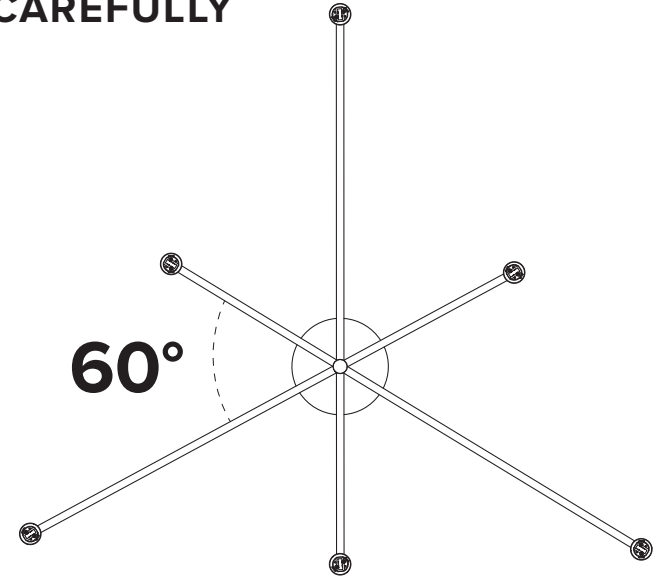


**6**



\* Screw gently, but firmly

**7**



**8**