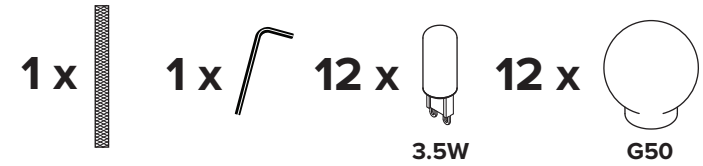
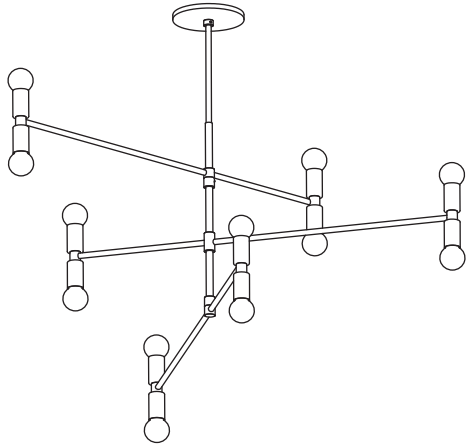




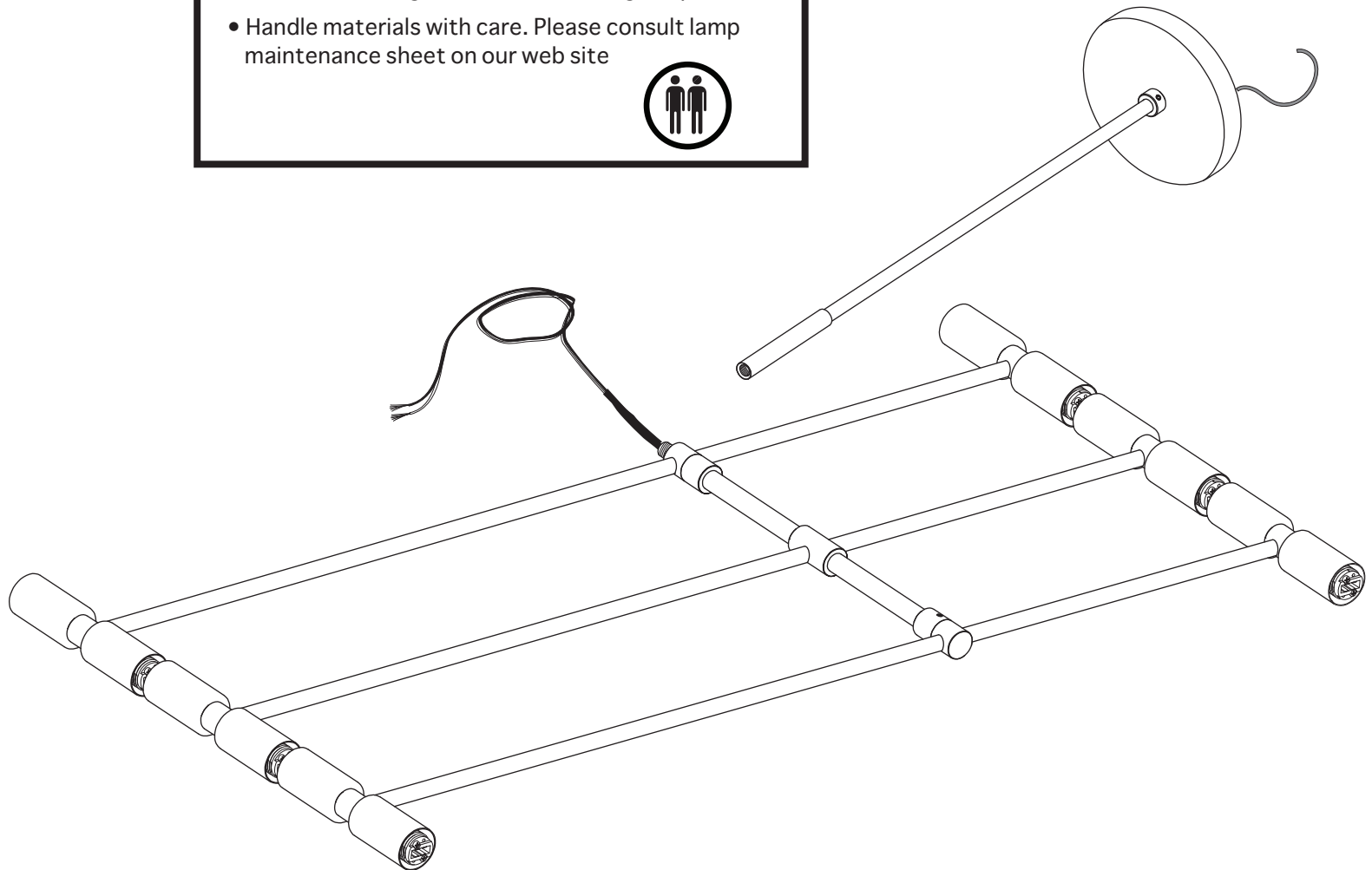
ATOMIUM

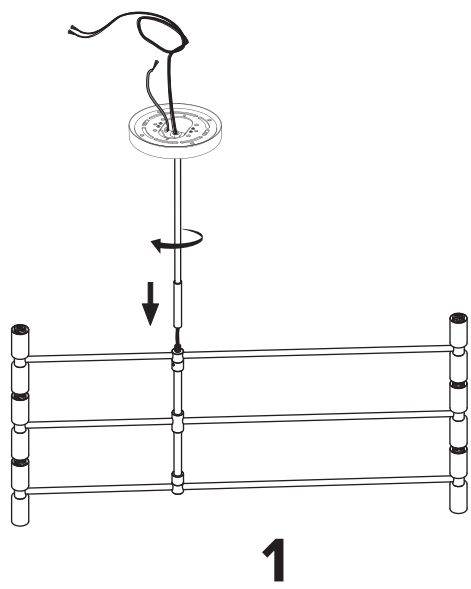




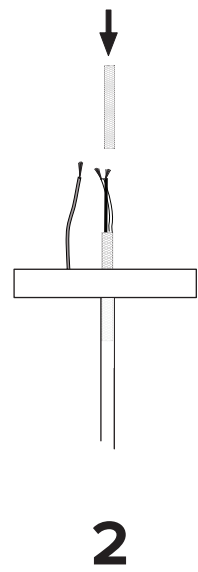
- To be installed by an electrician to an electrical box
- Use appropriate screws and anchors where necessary
- Wear enclosed gloves when handling lamp
- Handle materials with care. Please consult lamp maintenance sheet on our web site



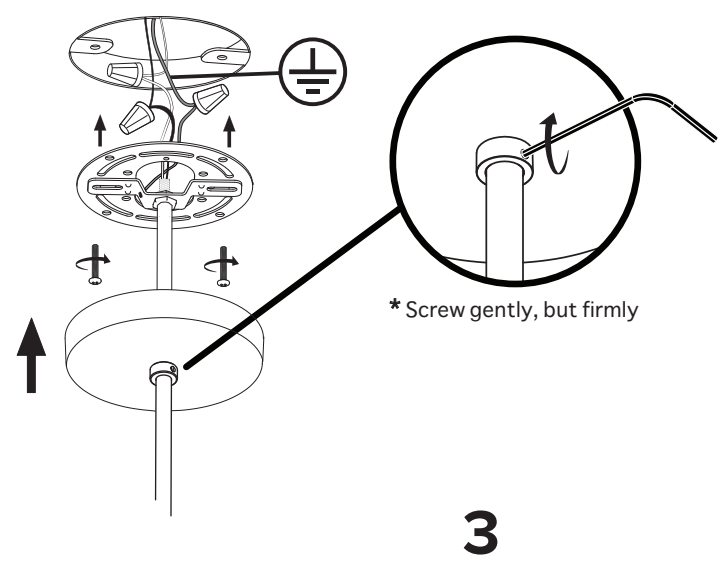




1

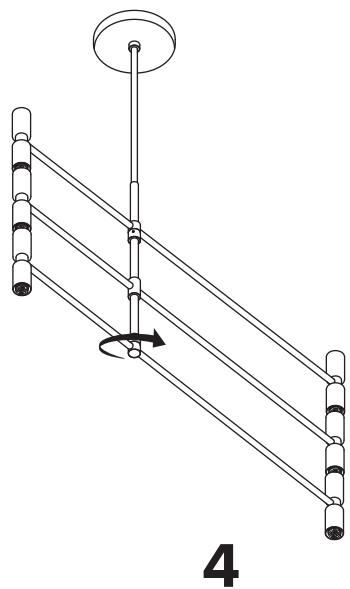


2

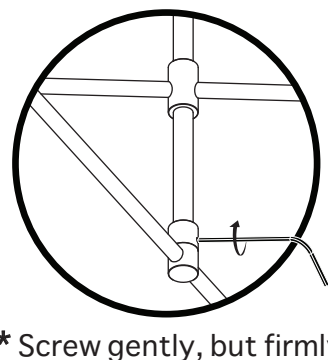


3

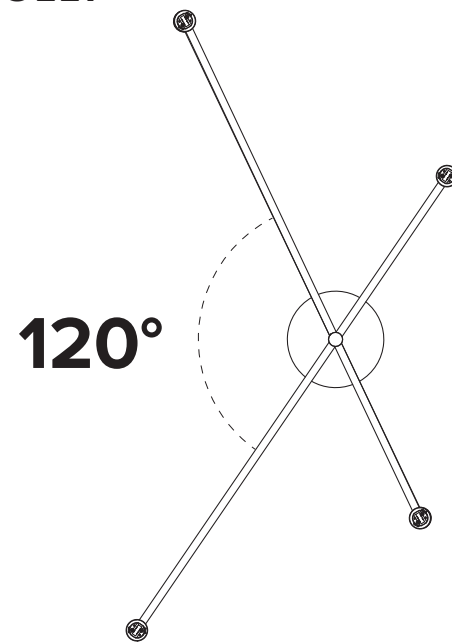
* To ensure that your lamp is properly balanced,
PLEASE FOLLOW THESE STEPS CAREFULLY



4

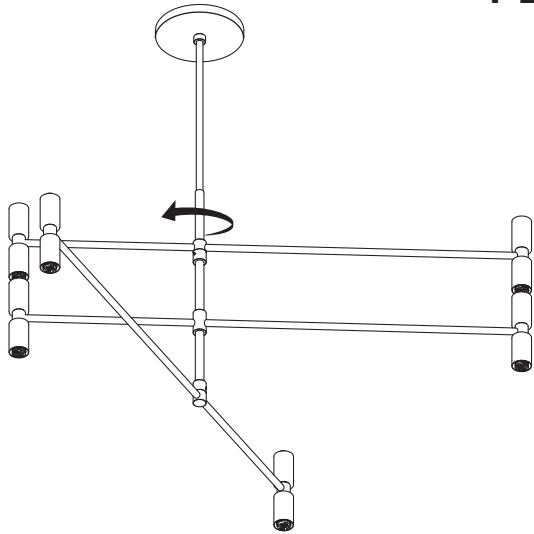


5

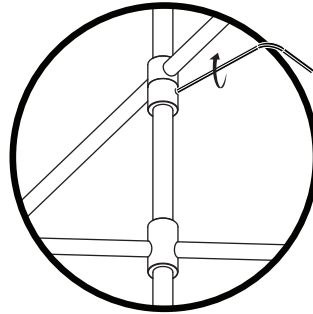


120°

* To ensure that your lamp is properly balanced,
PLEASE FOLLOW THESE STEPS CAREFULLY

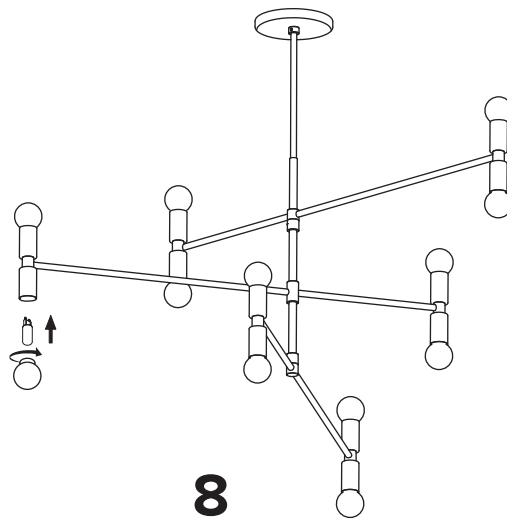
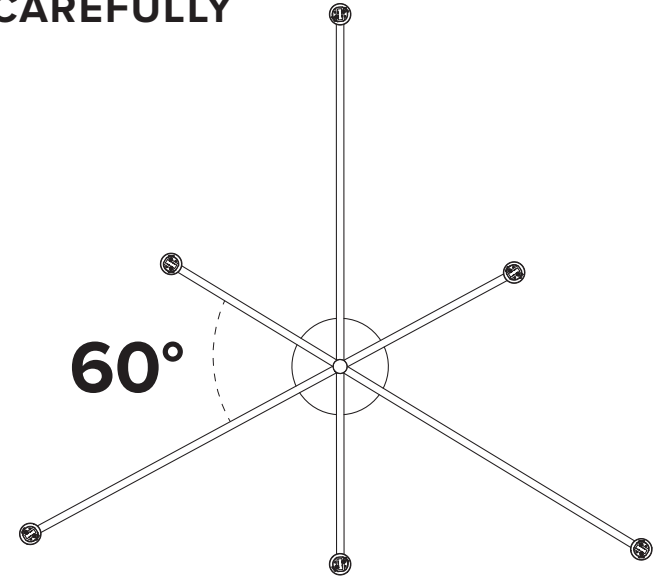


6



* Screw gently, but firmly

7



8