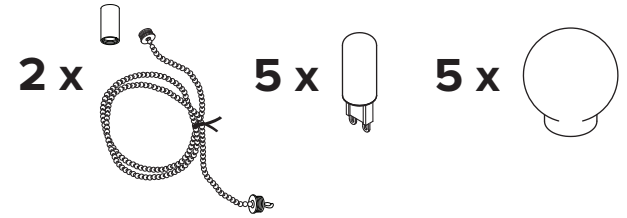
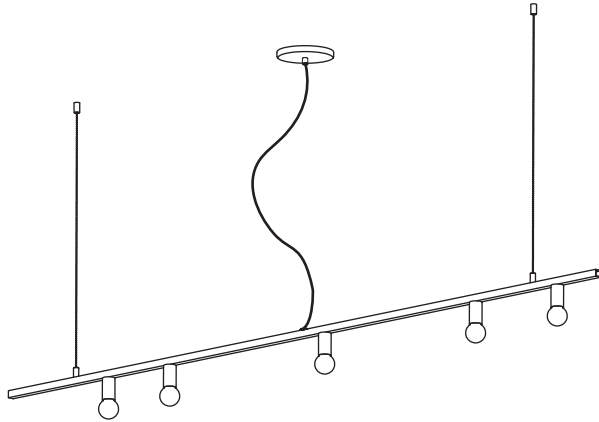
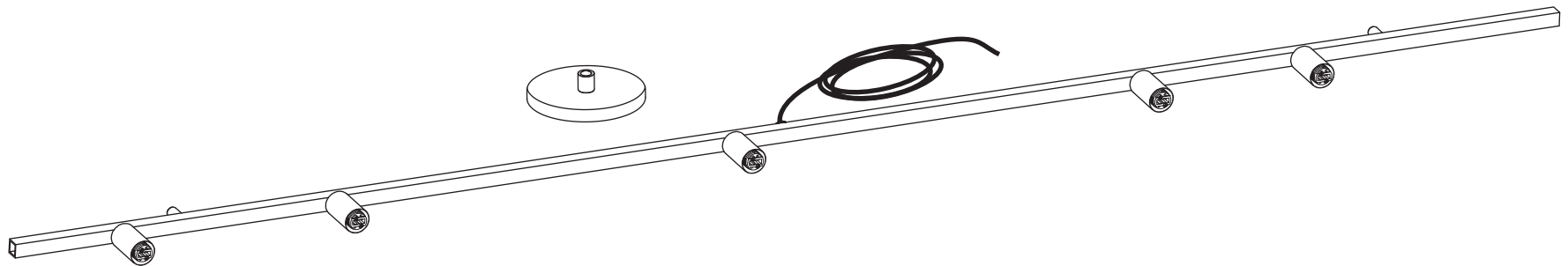


DOT LINE SUSPENSION



- To be installed by an electrician to an electrical box
- Use appropriate screws and anchors where necessary
- Wear enclosed gloves when handling lamp
- Handle materials with care. Please consult lamp maintenance sheet on our web site
- Should be used exclusively as a lamp and not as a shelving, display or hanging unit

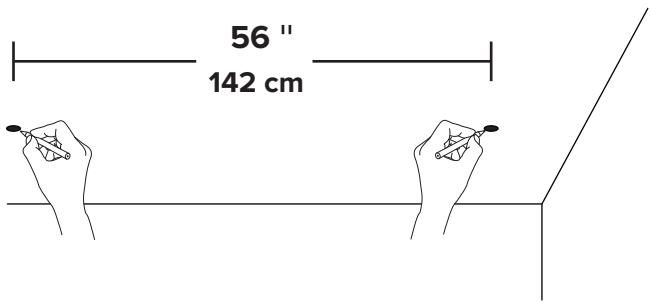
lamp weight **11 lbs / 5 kg**



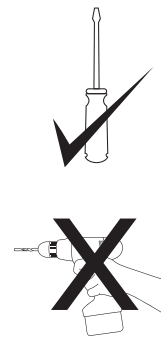
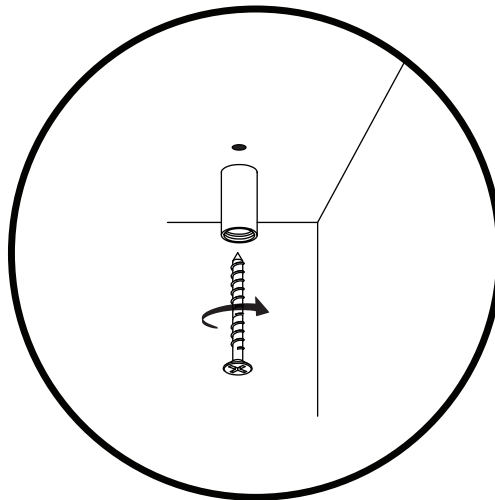
1

DOT11A | 32" | 83 cm

DOT11B | 56" | 142 cm



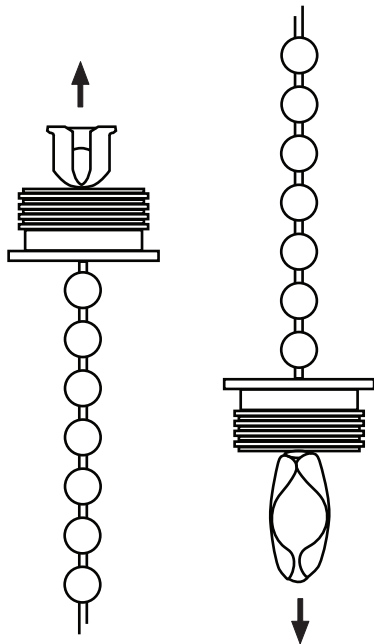
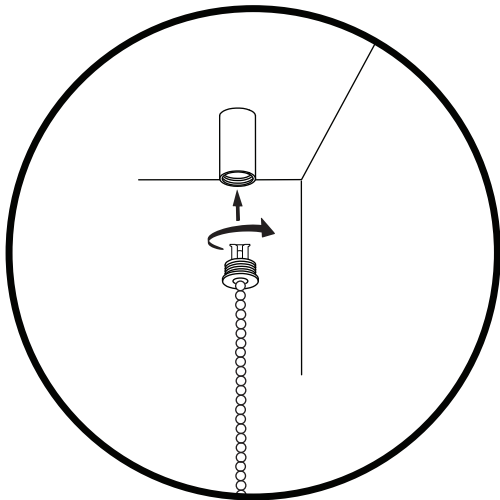
2



* Make sure to use appropriate anchors

Each anchor must be able to support 27 lbs / 13 kg

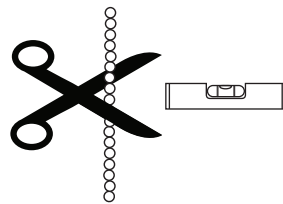
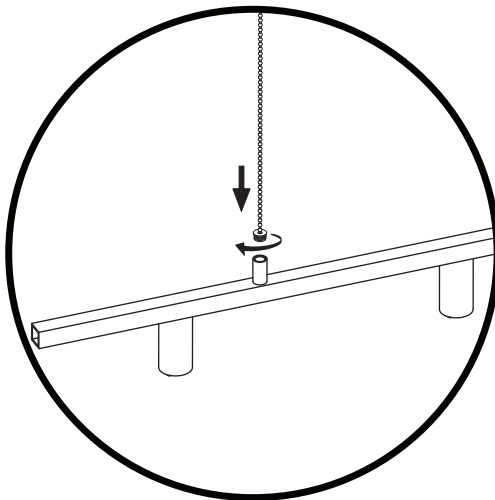
3



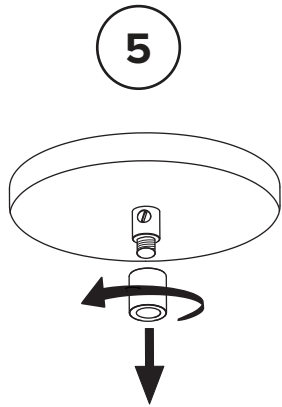
Ceiling

Luminaire

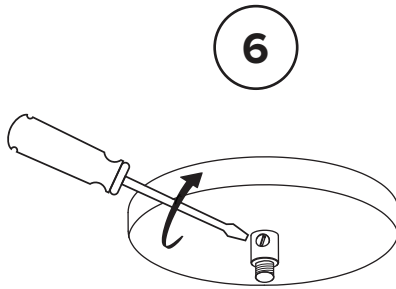
4



Do not install at less than 4" from the ceiling



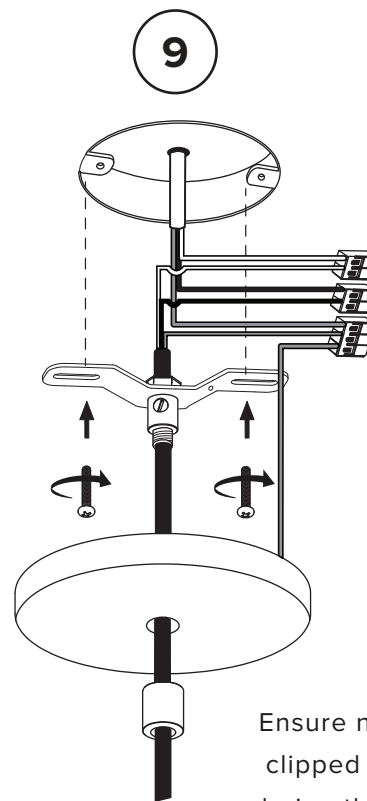
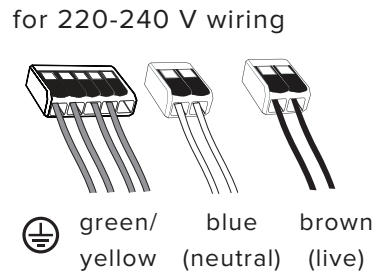
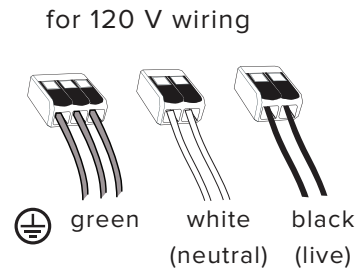
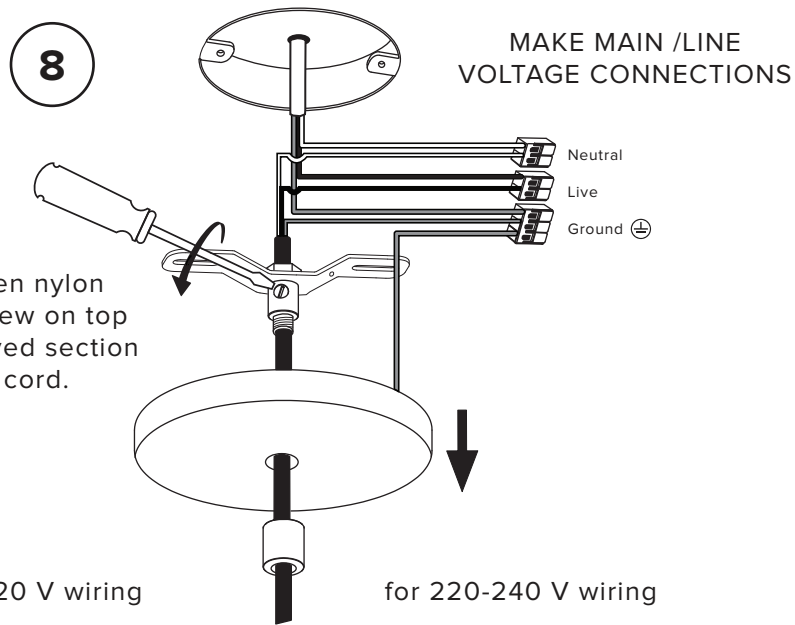
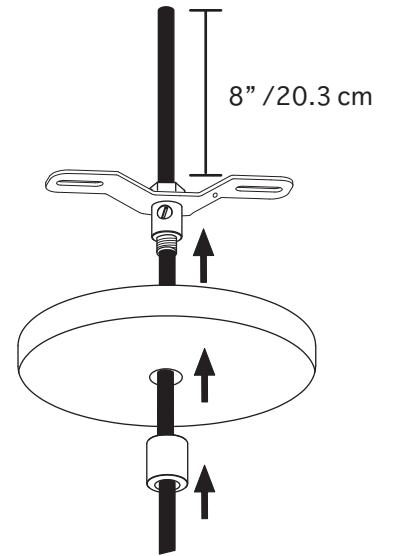
5



6

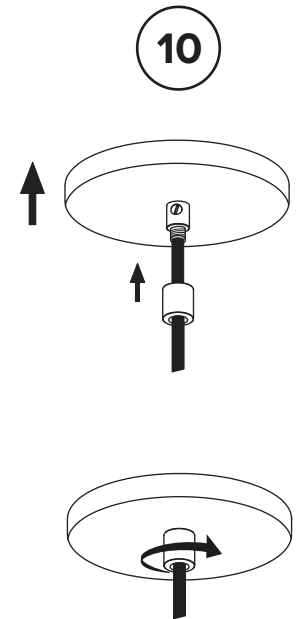
7

Feed cord through then adjust cord length. Leave 8" / 20.3 cm of cord after the bracket.



9

Ensure no wires are clipped or pinched during this operation.



10

11

