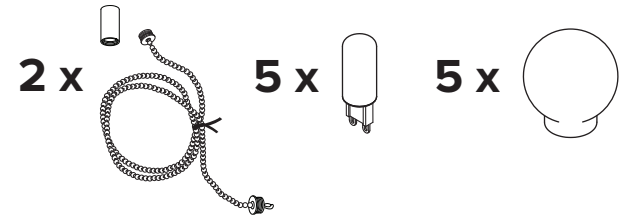
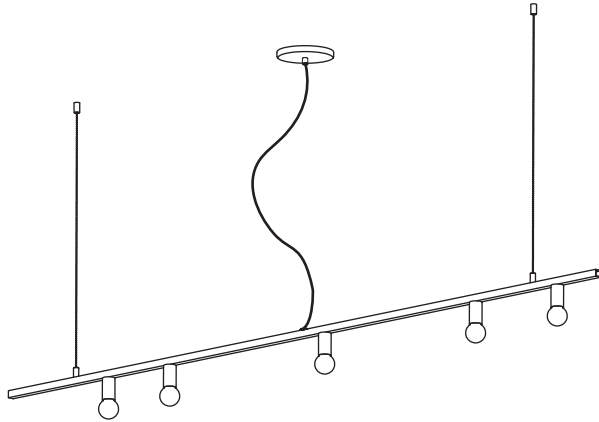
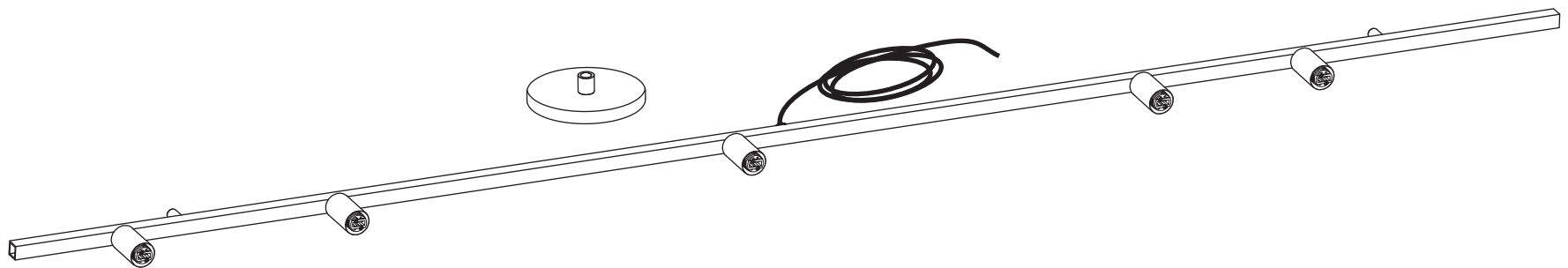


## DOT LINE SUSPENSION

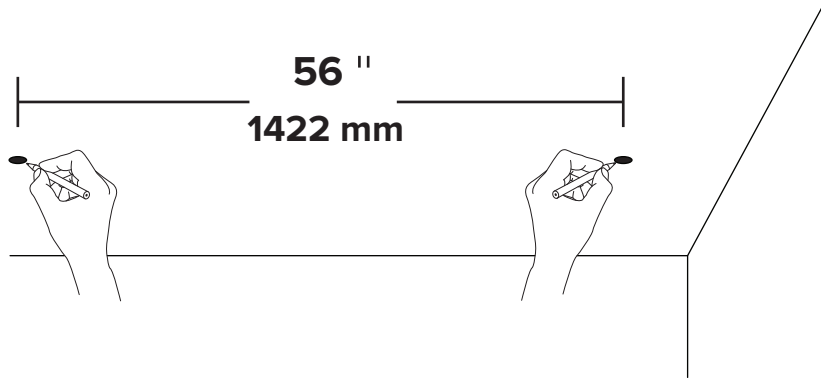


- To be installed by an electrician to an electrical box
- Use appropriate screws and anchors where necessary
- Wear enclosed gloves when handling lamp
- Handle materials with care. Please consult lamp maintenance sheet on our web site
- Should be used exclusively as a lamp and not as a shelving, display or hanging uni

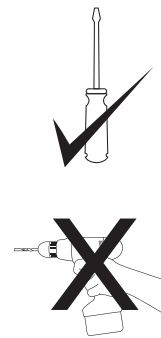
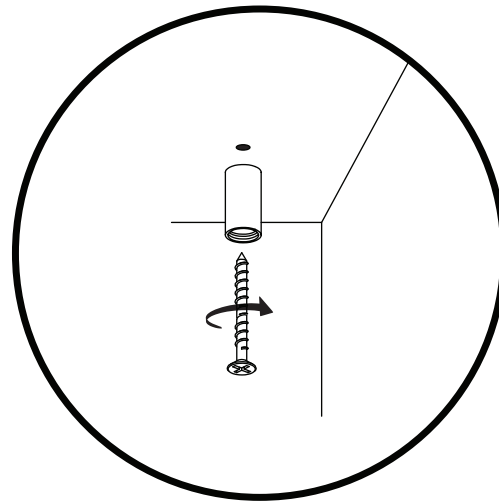
lamp weight **11 lbs / 5 kg**



1



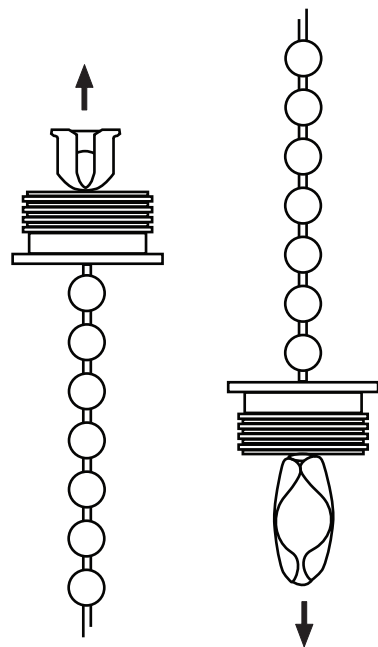
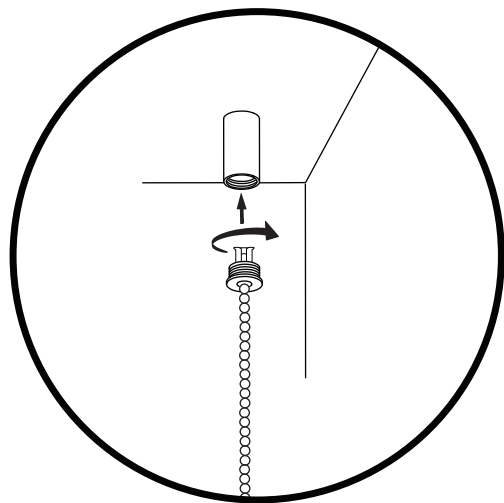
2



\* Make sure to use appropriate anchors

Each anchor must be able to support 27 lbs / 13 kg

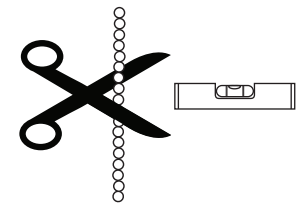
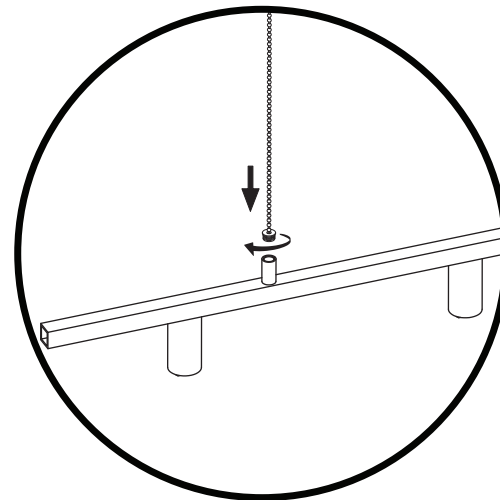
3



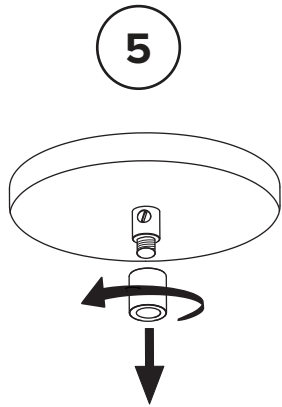
Ceiling

Luminaire

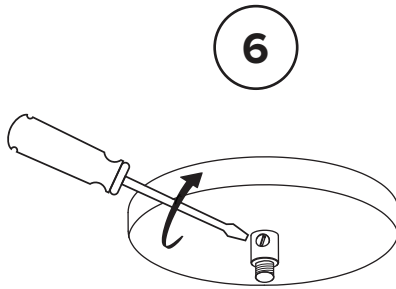
4



Do not install at less than 4" from the ceiling



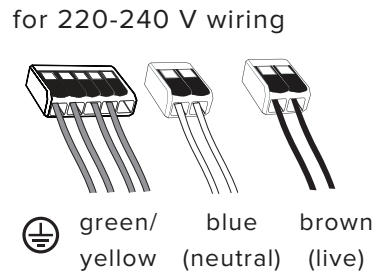
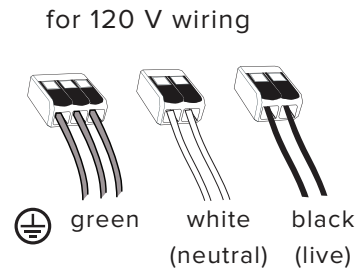
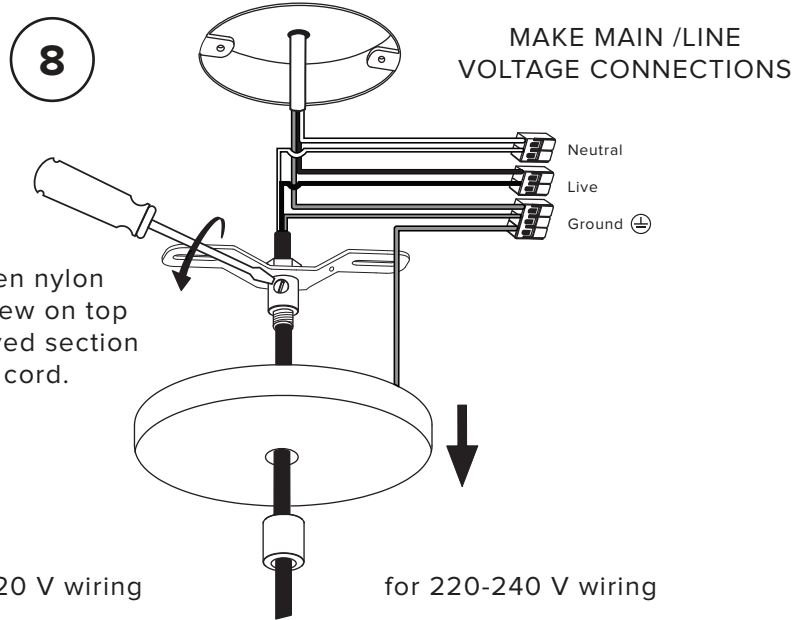
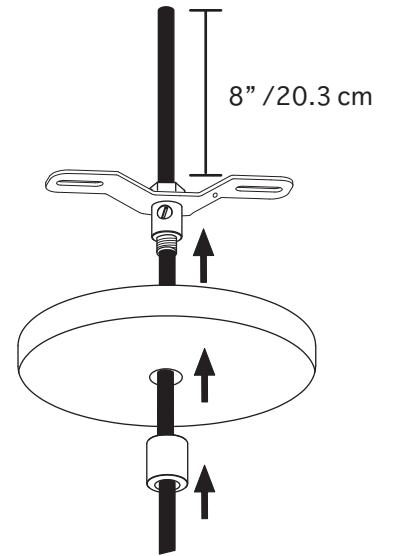
5



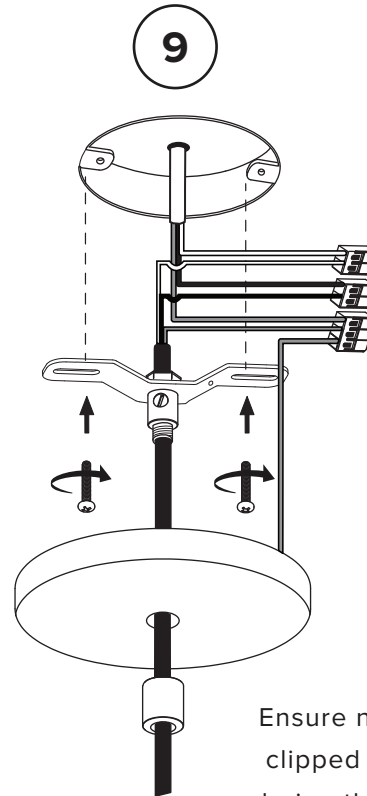
6

7

Feed cord through then adjust cord length. Leave 8" / 20.3 cm of cord after the bracket.

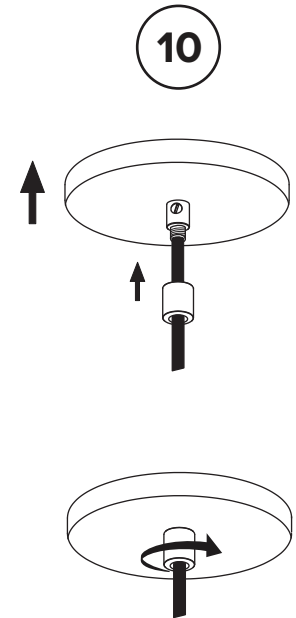


6mm



9

Ensure no wires are clipped or pinched during this operation.



10

11

