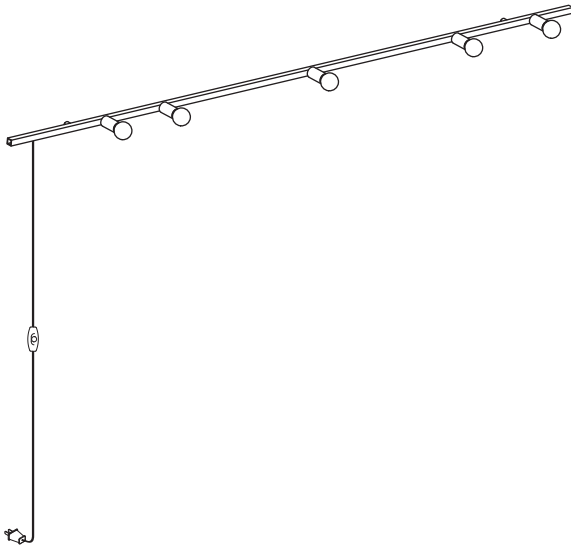
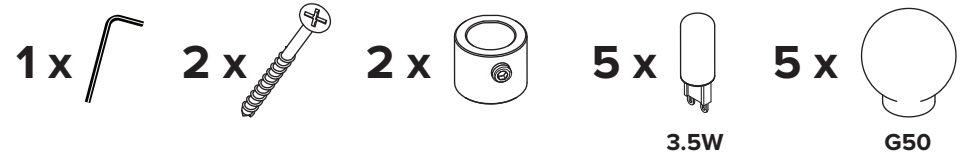

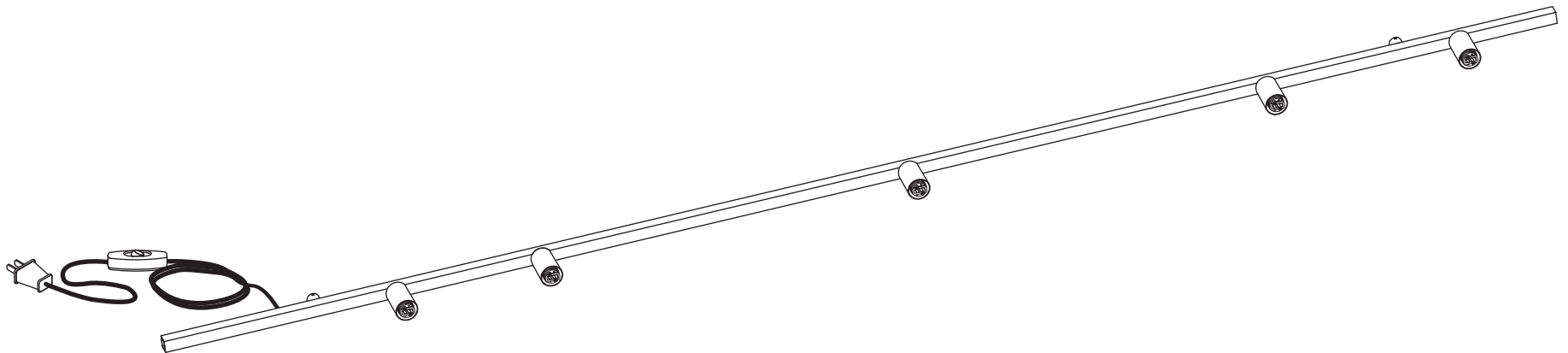


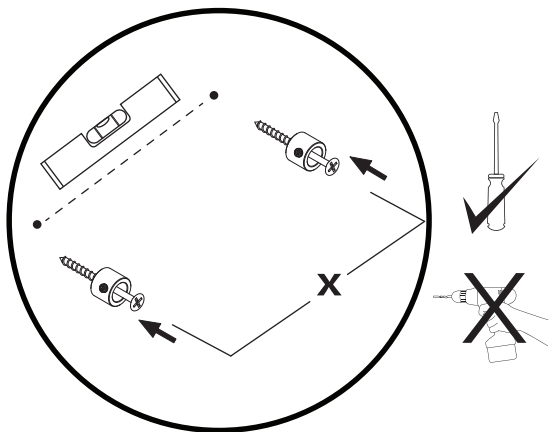
DOT LINE WALL SOFTWARE



- 
- Use appropriate screws and anchors where necessary
 - Wear enclosed gloves when handling lamp
 - Handle materials with care. Please consult lamp maintenance sheet on our web site
 - Should be used exclusively as a lamp and not as a shelving, display or hanging unit



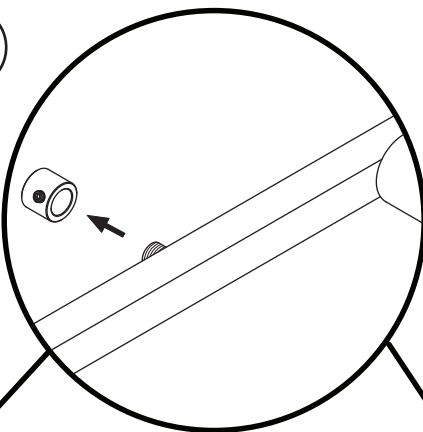
1



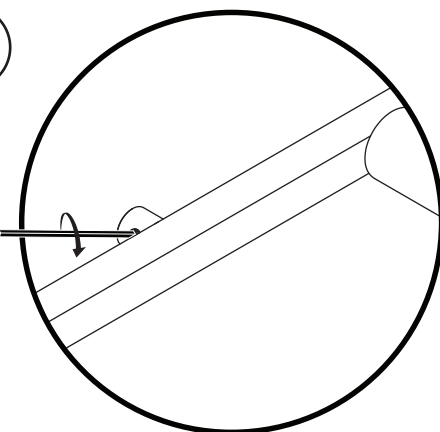
DOT10A X = 32" / 83cm
 DOT10B X = 56" / 142cm

* Make sure to use appropriate anchors

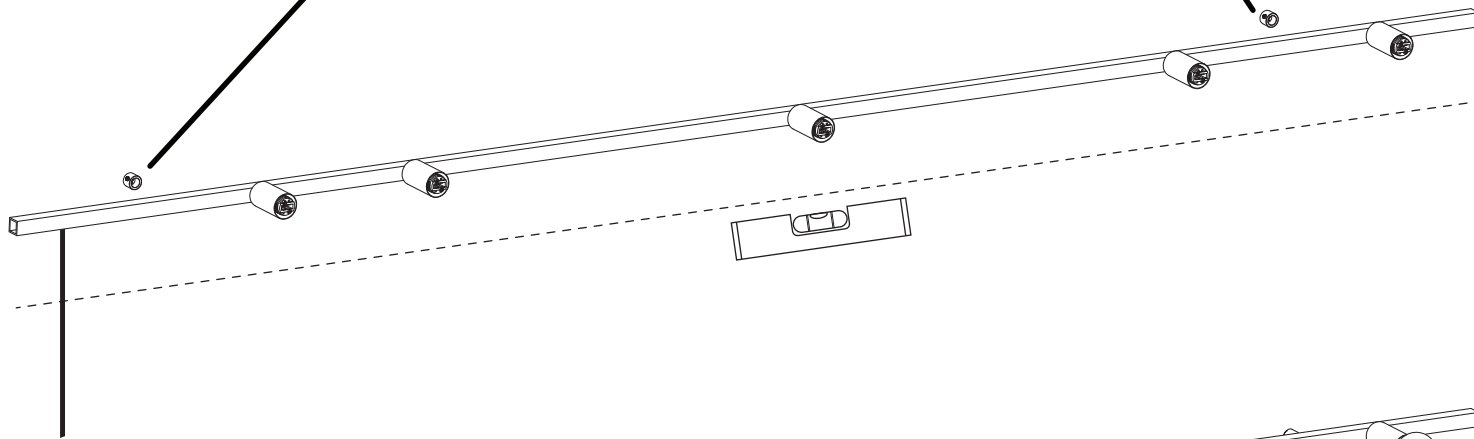
2



3



* Screw gently, but firmly



4

