
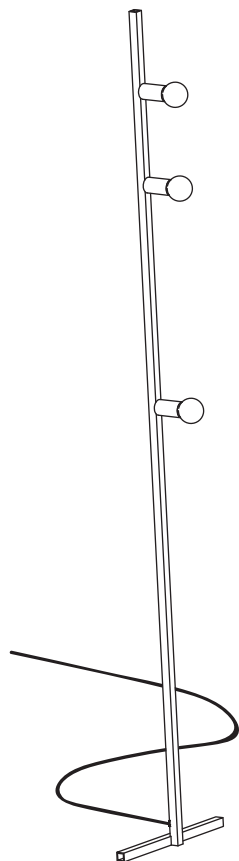
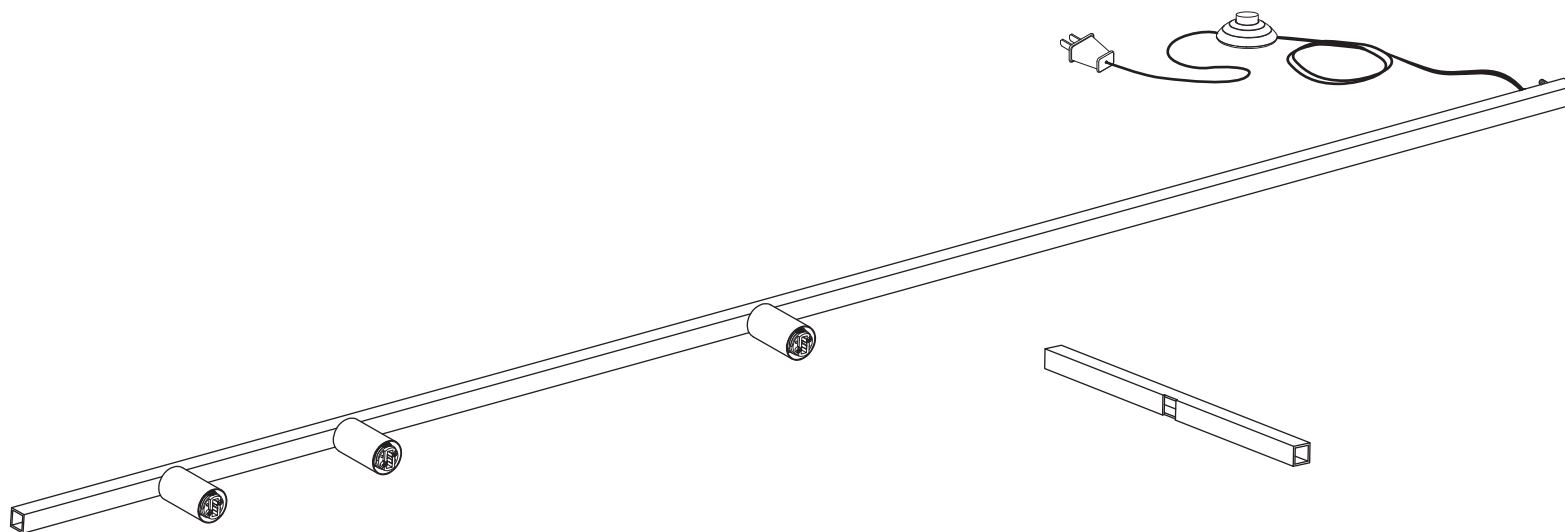


DOT LINE FLOOR

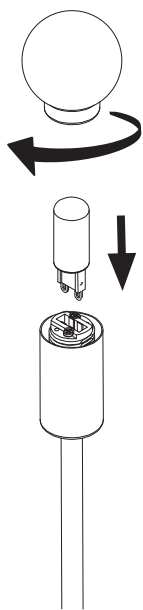


- Wear enclosed gloves when handling lamp
- Handle materials with care. Please consult lamp maintenance sheet on our web site

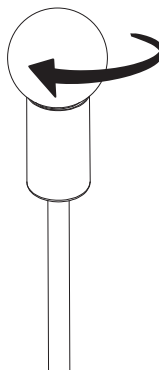




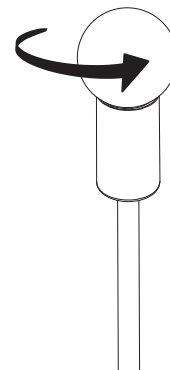
Important steps to follow when installing a glass globe



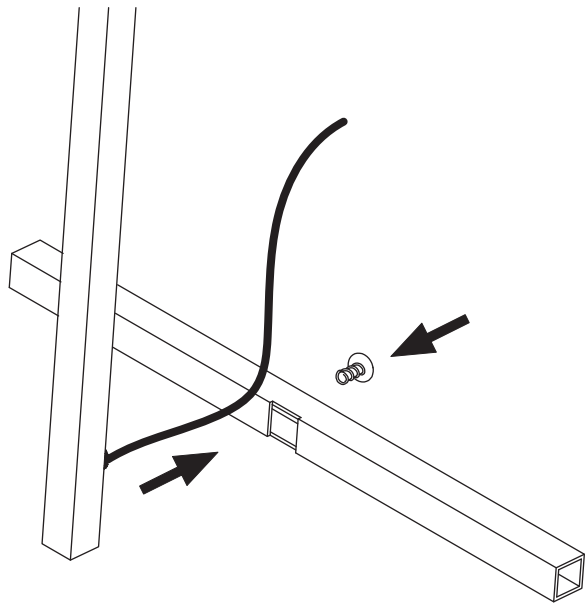
Insert bulb.



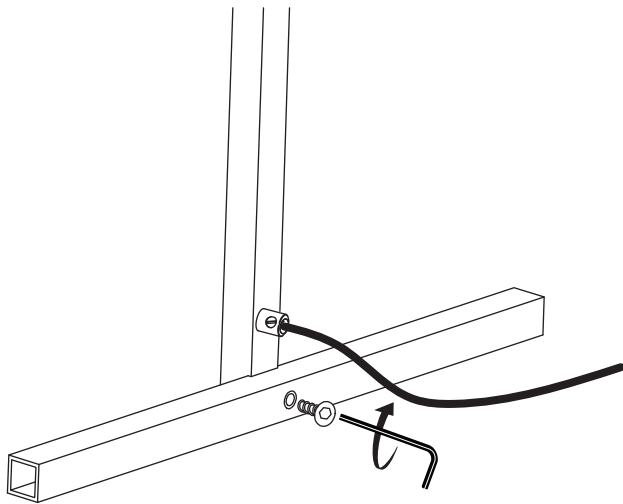
Screw in globe gently until it is tight.
Do not force the globe.



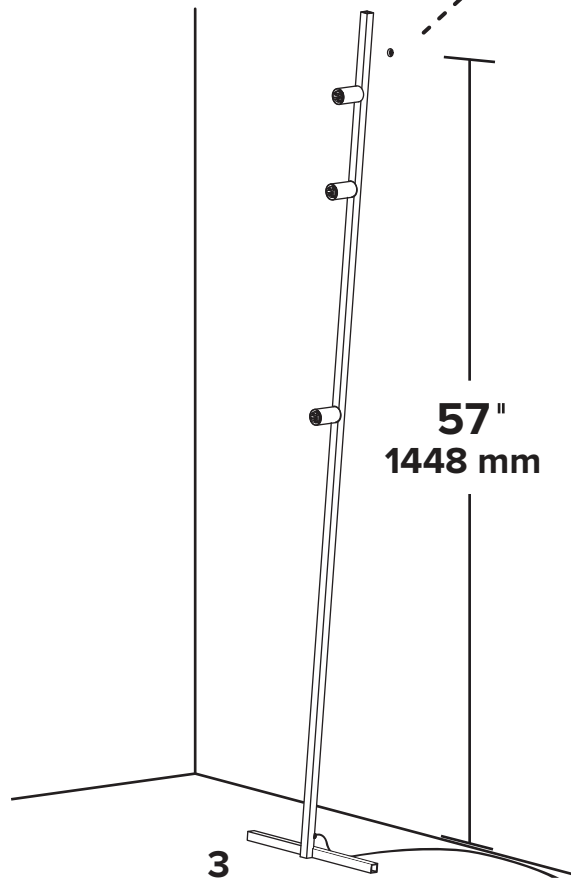
Unscrew bulb slightly 1/2 turn.



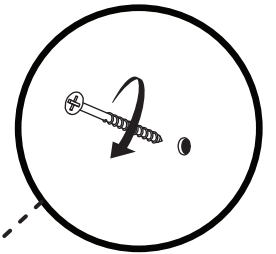
1



2

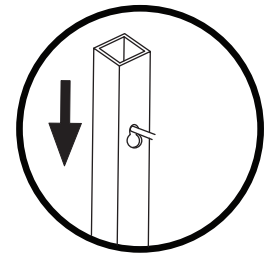
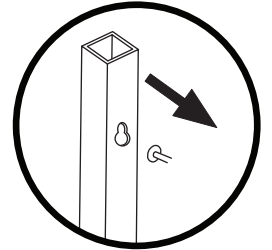


3



3

Make sure to use appropriate anchors



4

