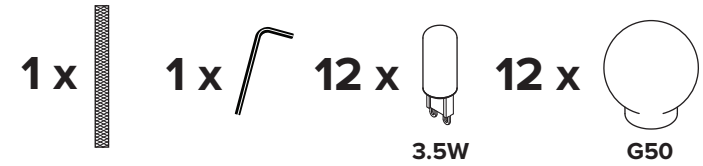
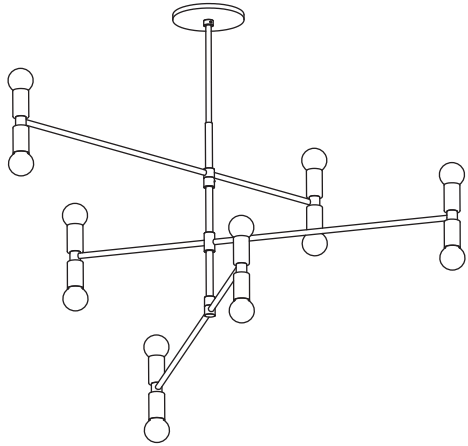




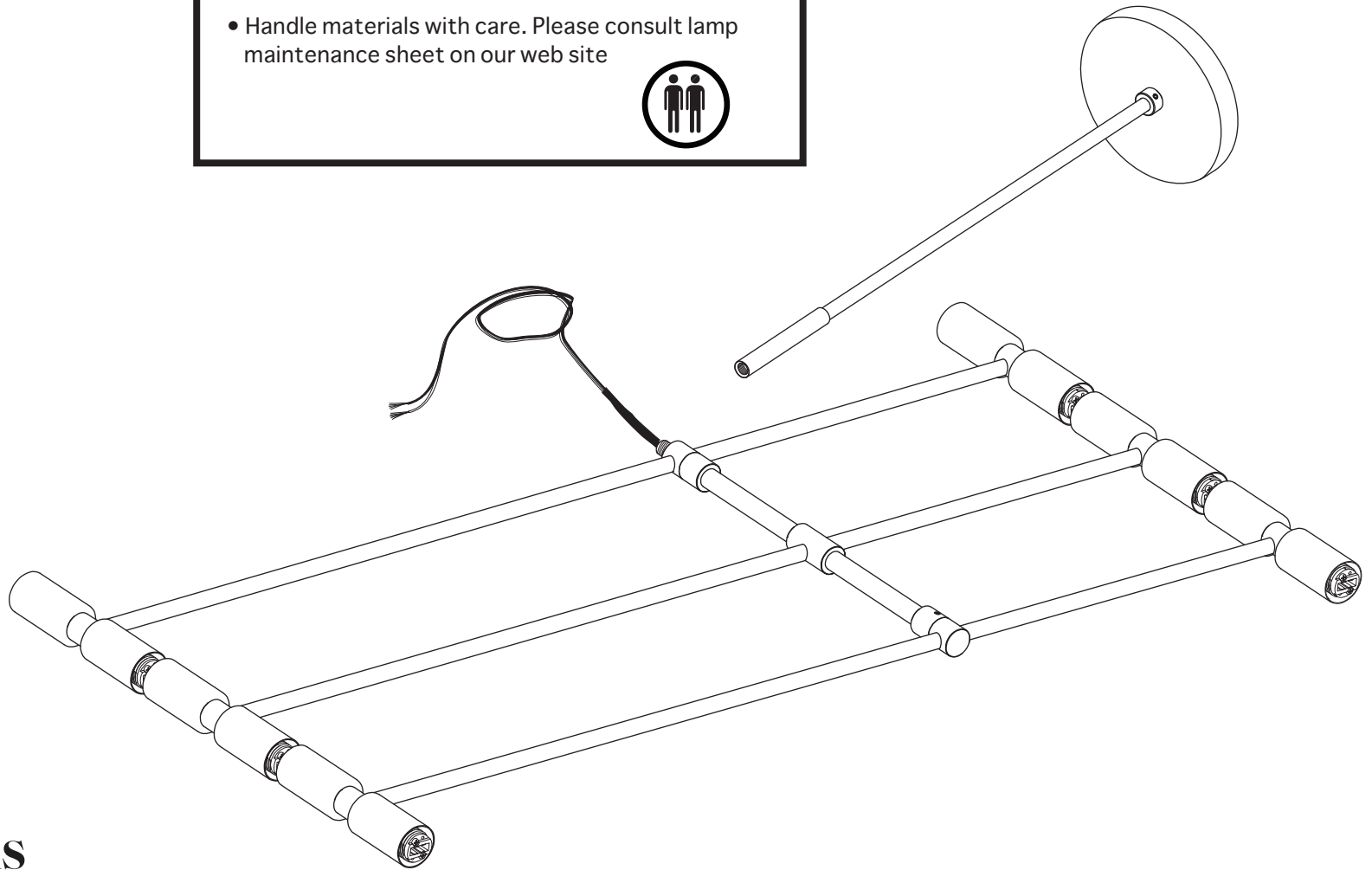
ATOMIUM





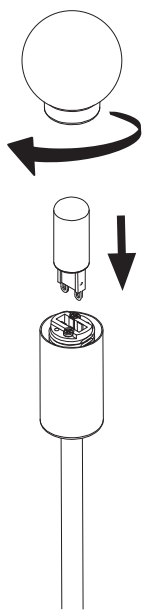
- To be installed by an electrician to an electrical box
- Use appropriate screws and anchors where necessary
- Wear enclosed gloves when handling lamp
- Handle materials with care. Please consult lamp maintenance sheet on our web site



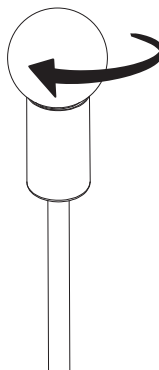




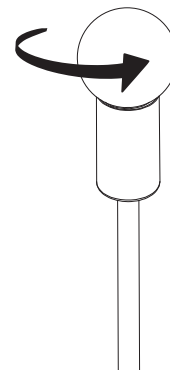
Important steps to follow when installing a glass globe



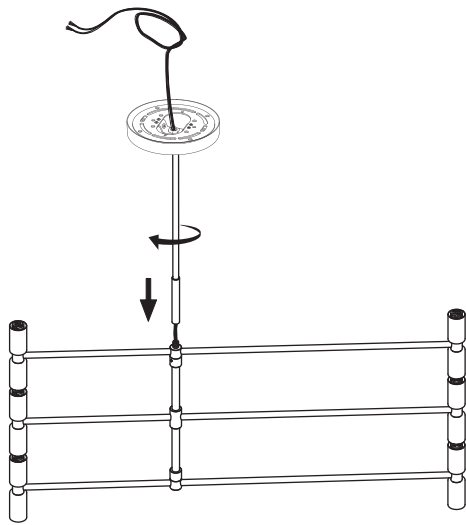
Insert bulb.



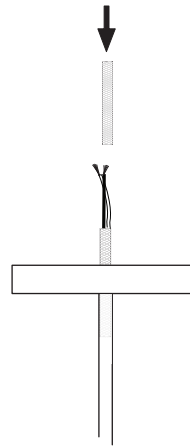
Screw in globe gently until it is tight.
Do not force the globe.



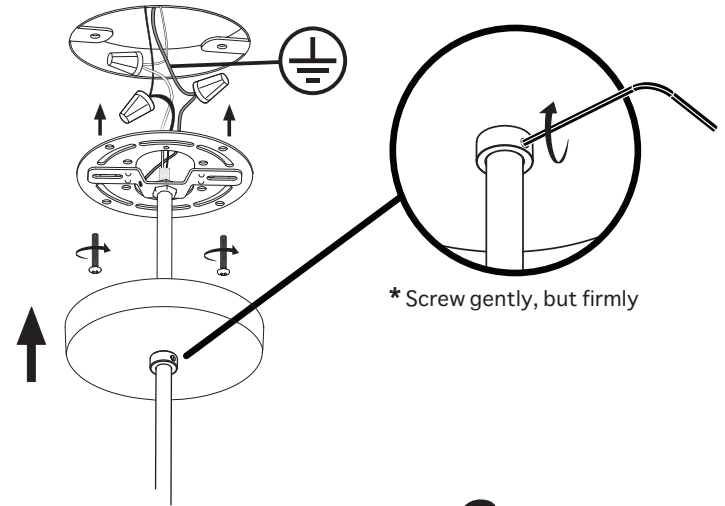
Unscrew bulb slightly 1/2 turn.



1

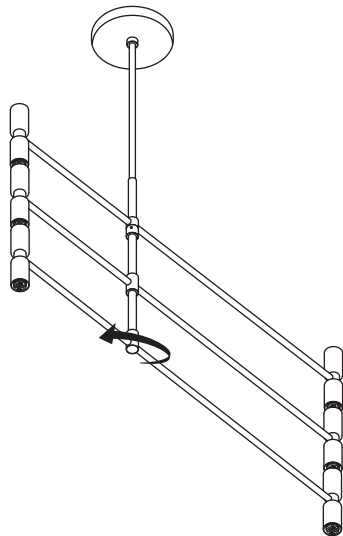


2

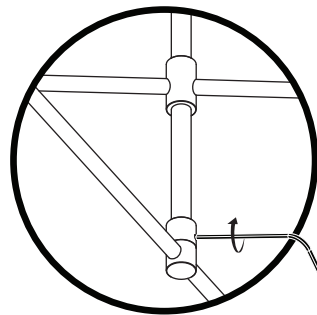


3

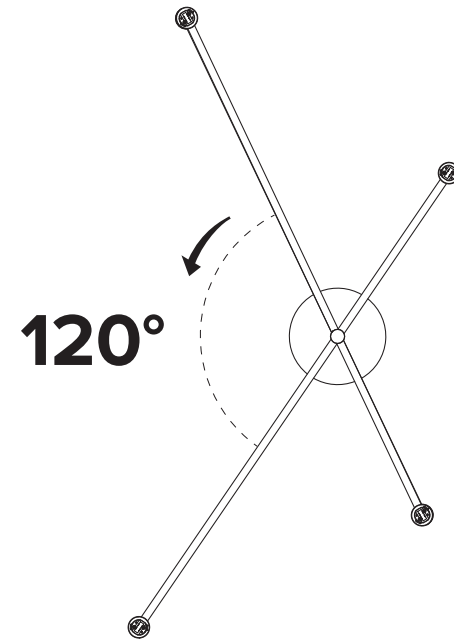
* To ensure that your lamp is properly balanced,
PLEASE FOLLOW THESE STEPS CAREFULLY



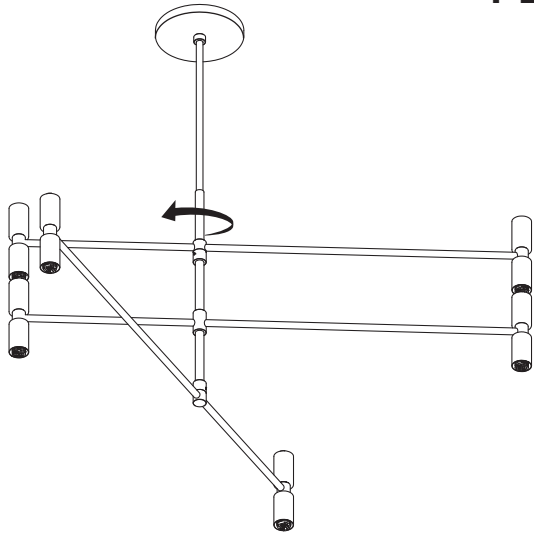
4



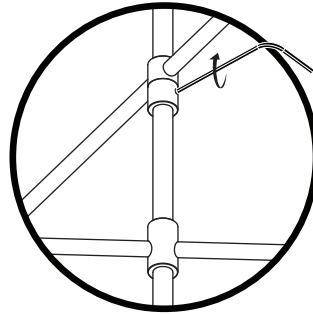
5



* To ensure that your lamp is properly balanced,
PLEASE FOLLOW THESE STEPS CAREFULLY

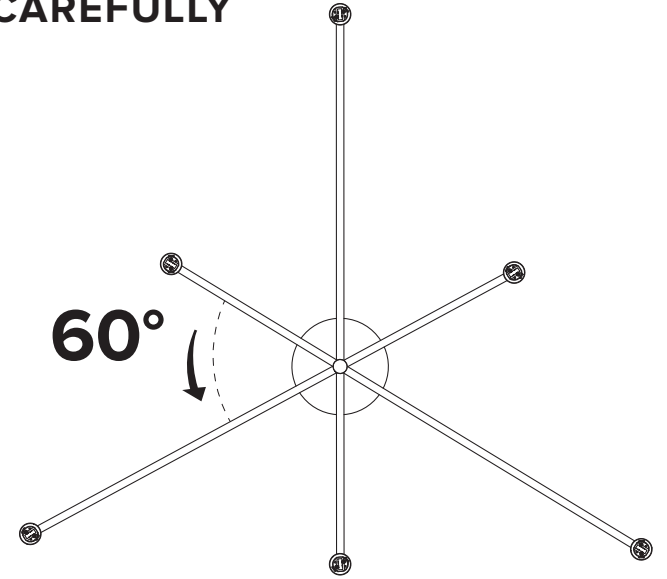


6

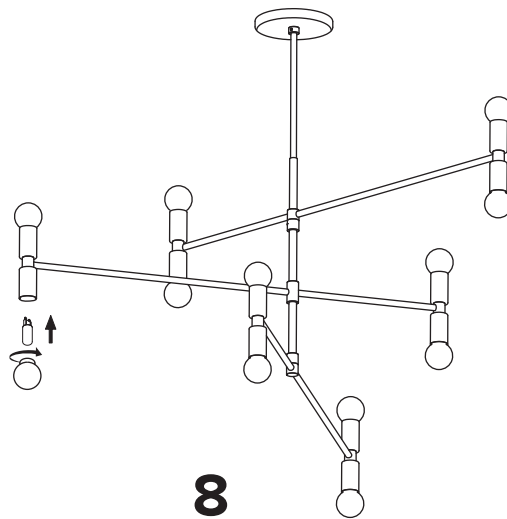


* Screw gently, but firmly

7



60°



8