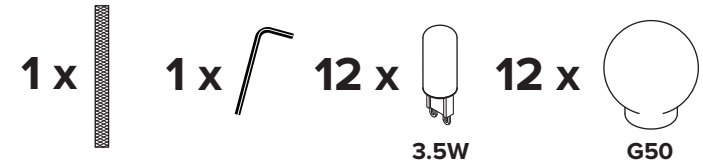
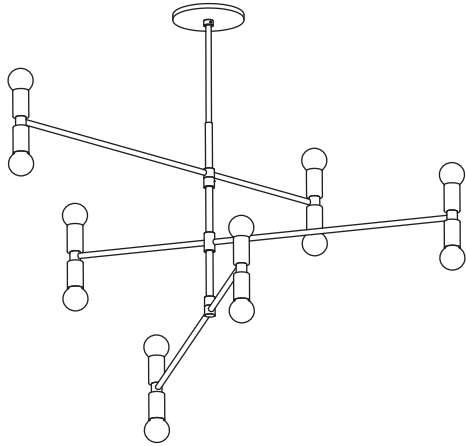




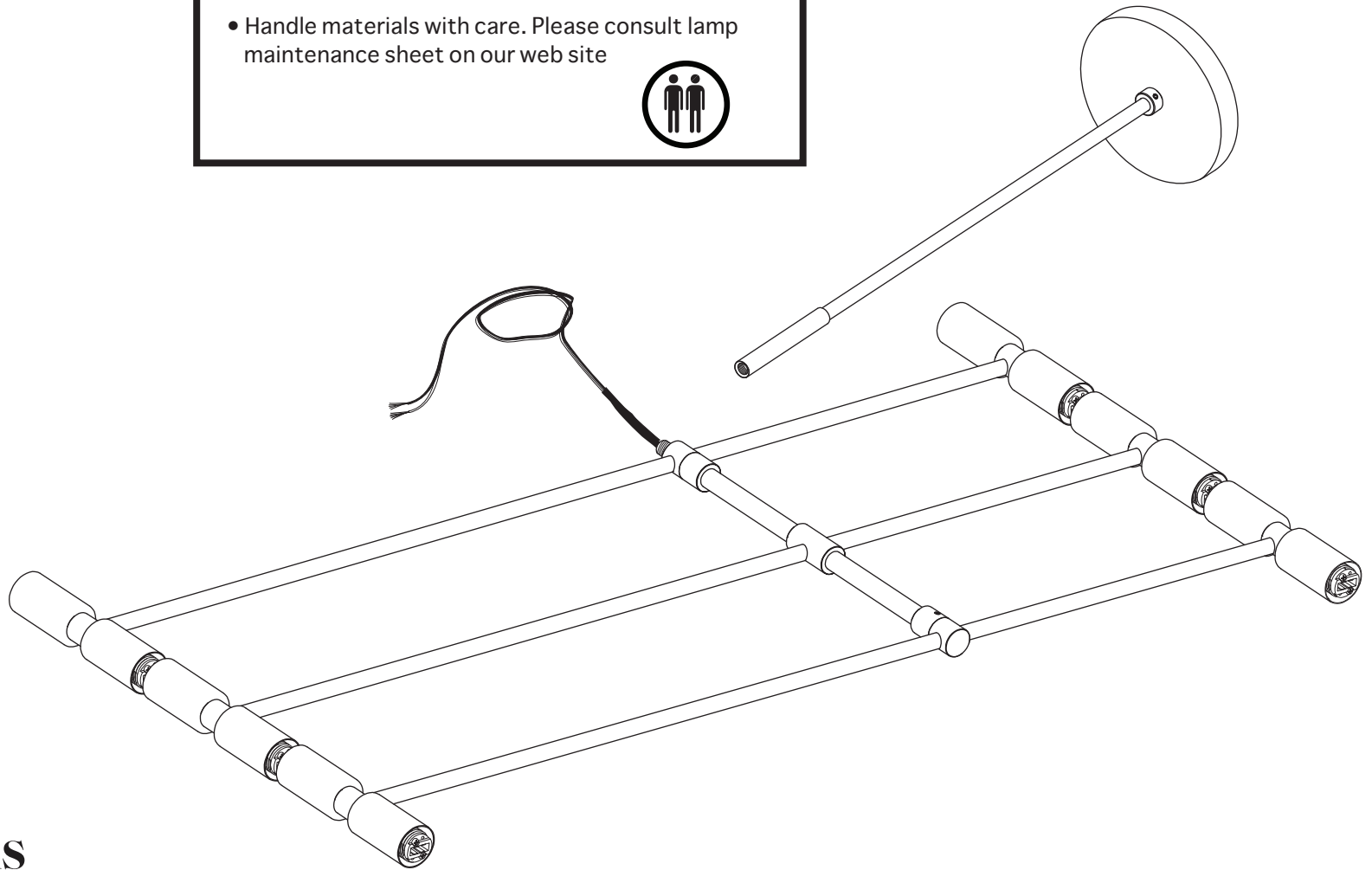
ATOMIUM





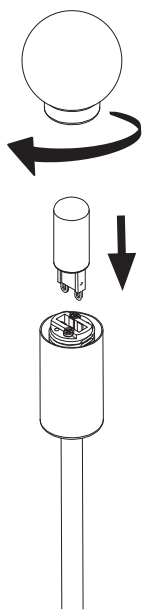
- To be installed by an electrician to an electrical box
- Use appropriate screws and anchors where necessary
- Wear enclosed gloves when handling lamp
- Handle materials with care. Please consult lamp maintenance sheet on our web site



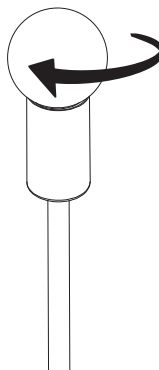




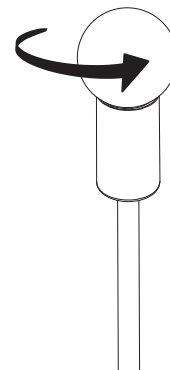
Important steps to follow when installing a glass globe



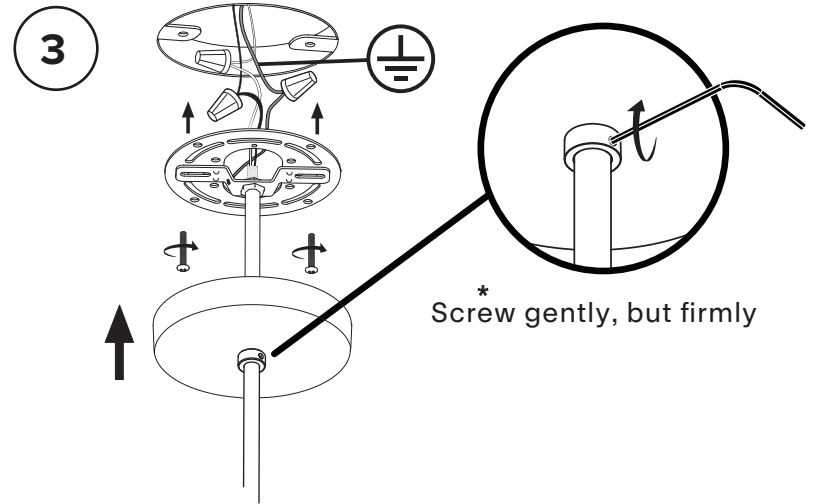
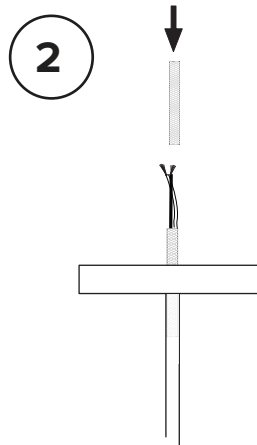
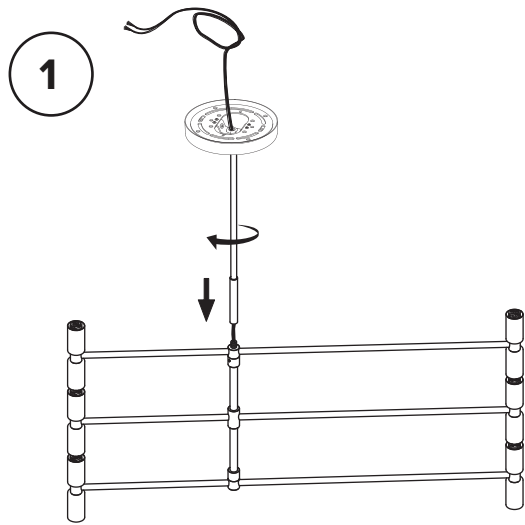
Insert bulb.



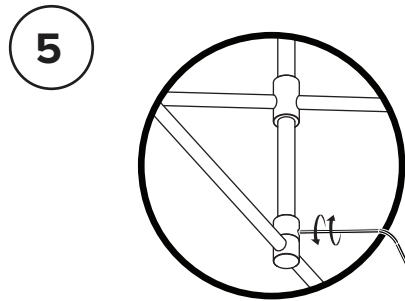
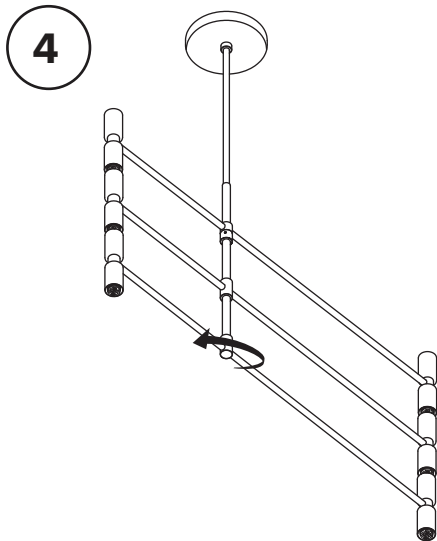
Screw in globe gently until it is tight.
Do not force the globe.



Unscrew bulb slightly 1/2 turn.

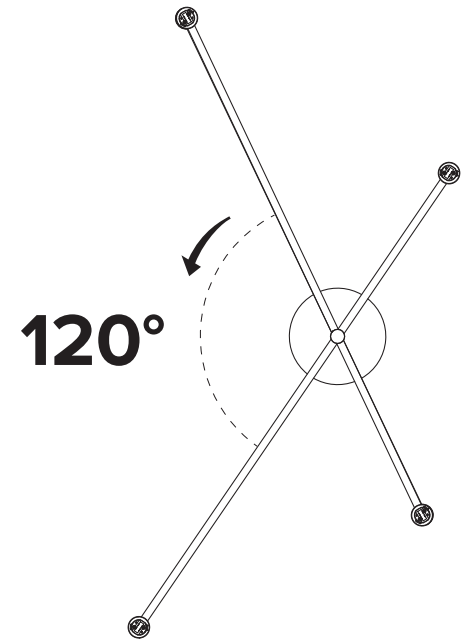


* To ensure that your lamp is properly balanced,
PLEASE FOLLOW THESE STEPS CAREFULLY



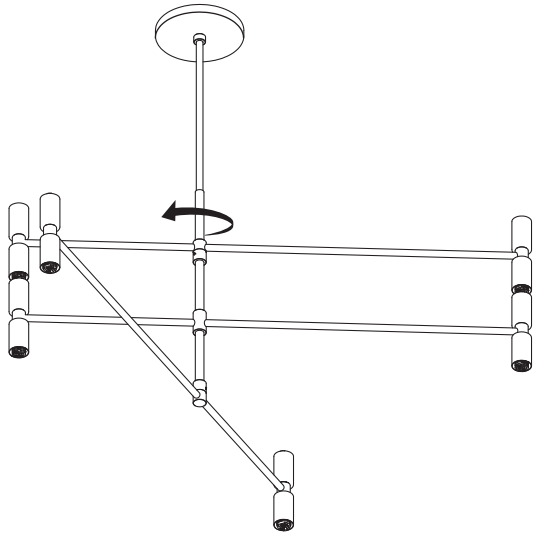
Losen set screw to rotate arms.
Adjust arms, then retighten
set screw

* Screw gently, but firmly.
(Do not remove set screw)

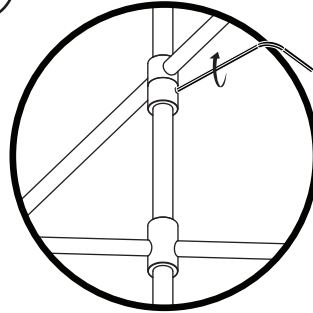


* To ensure that your lamp is properly balanced,
PLEASE FOLLOW THESE STEPS CAREFULLY

6

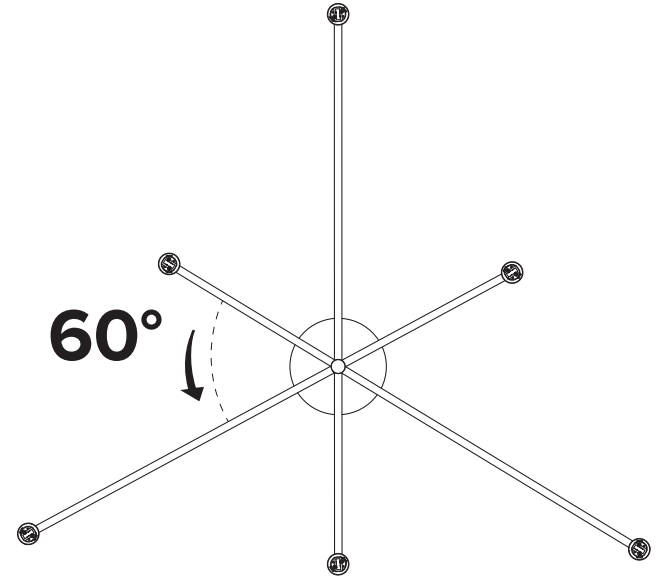


7



* Screw gently, but firmly

60°



8

