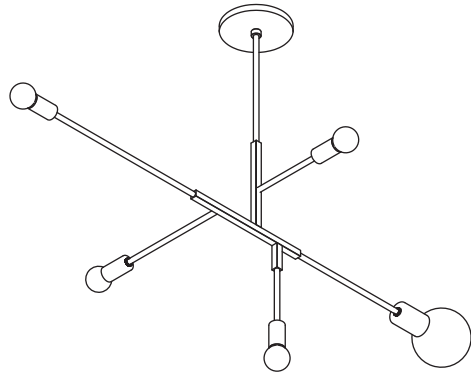

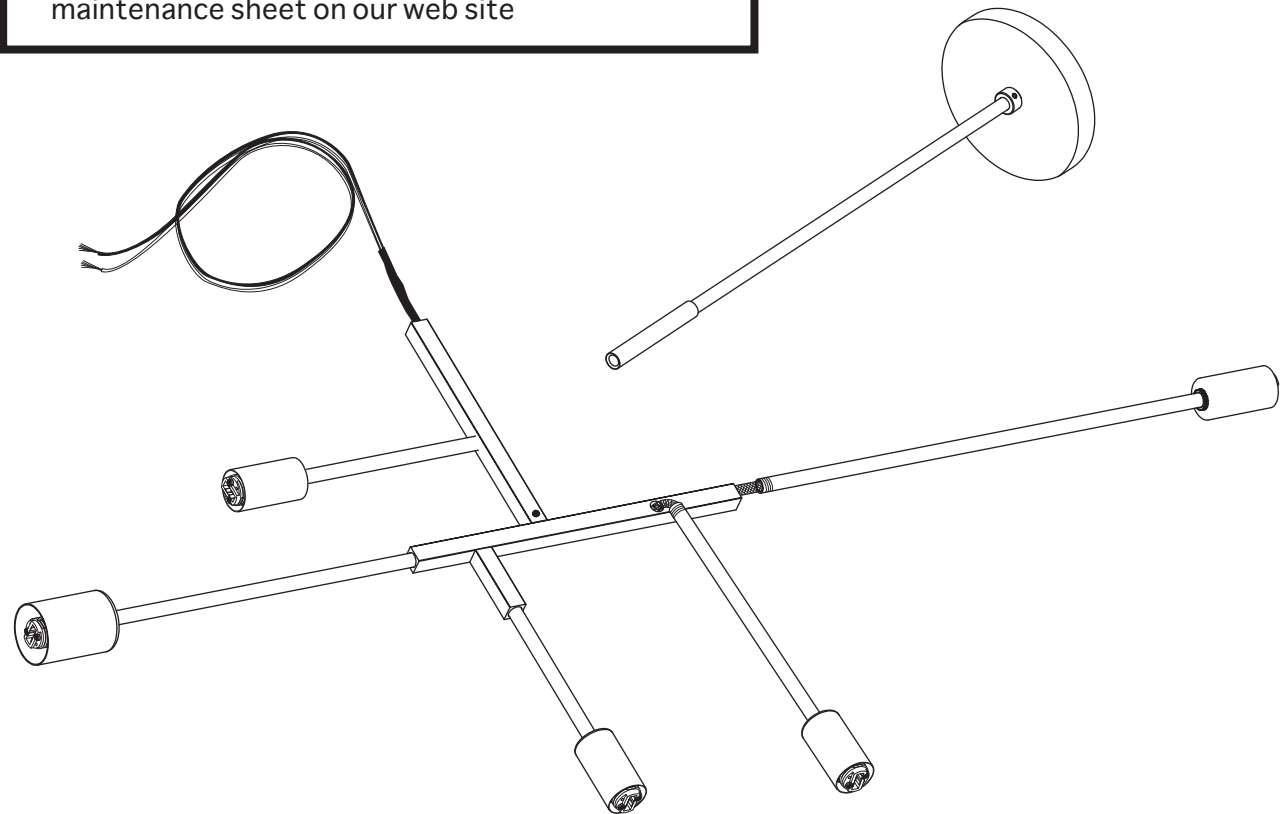
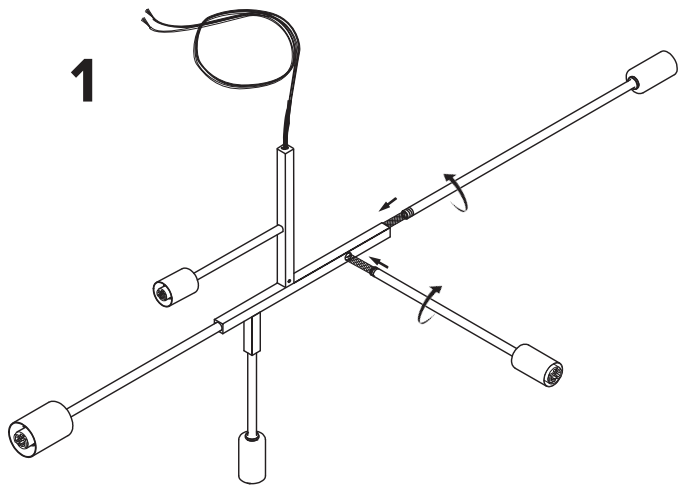


CLIFF SUSPENSION



- 
- To be installed by an electrician to an electrical box
 - Use appropriate screws where necessary
 - Wear enclosed gloves when handling lamp
 - Handle materials with care. Please consult lamp maintenance sheet on our web site





Rotate each arm 5 full rotations
counterclockwise before inserting
arms into body to prevent wires
from over twisting.

