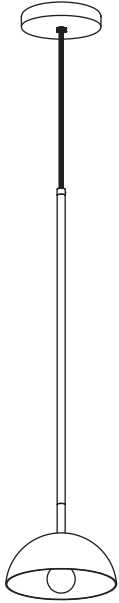




BEAUBIEN SIMPLE SHADE

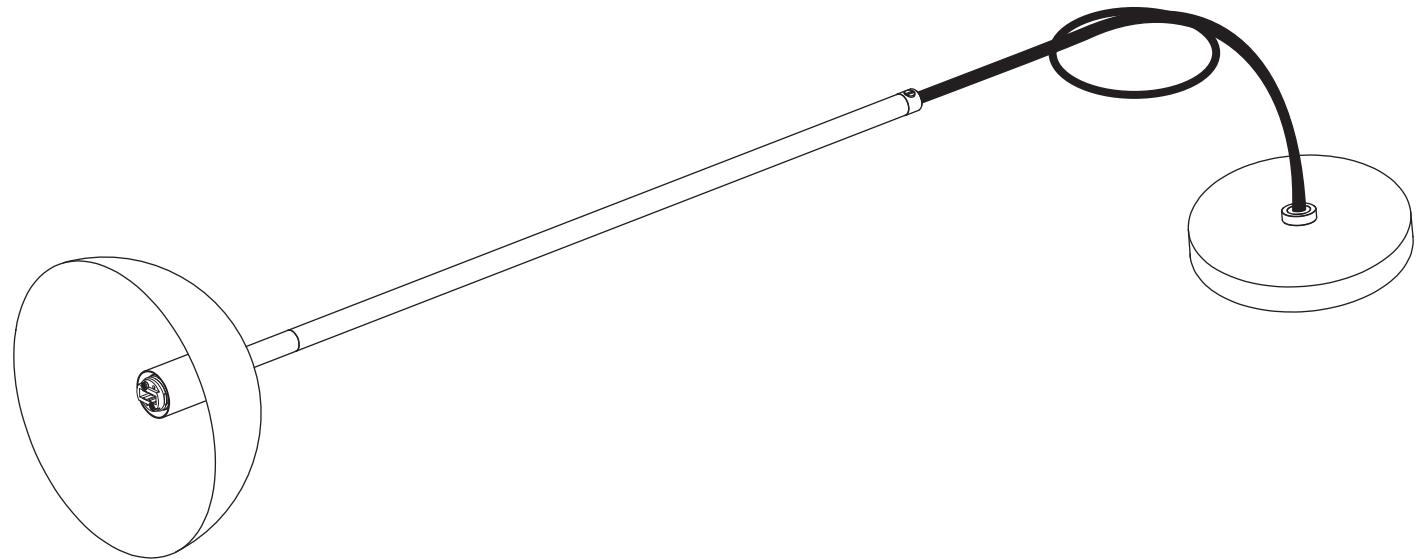


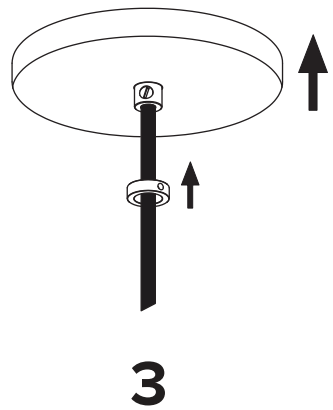
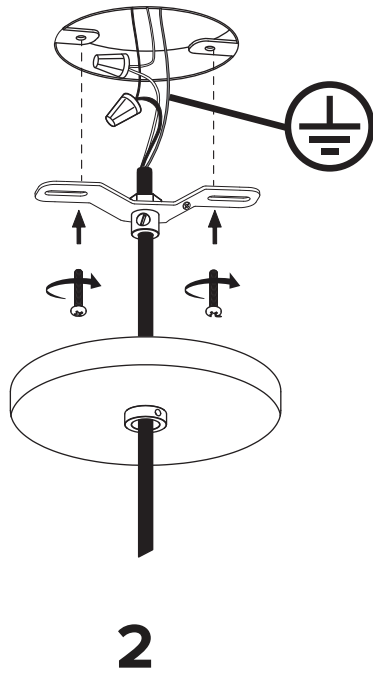
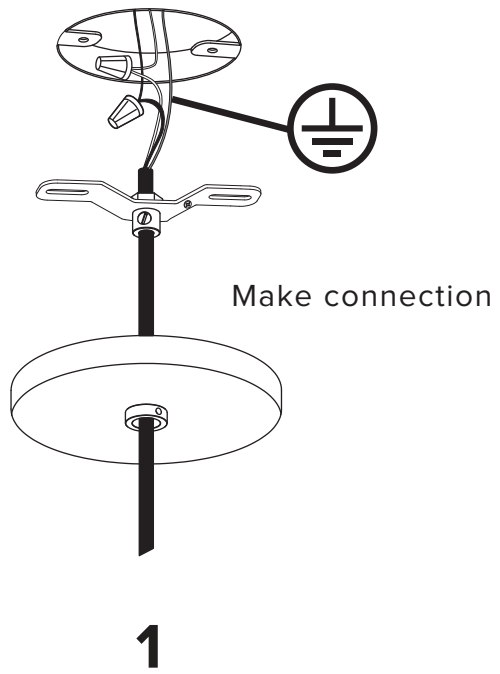
- 
- To be installed by an electrician to an electrical box
 - Use appropriate screws and anchors where necessary
 - Wear enclosed gloves when handling lamp
 - Handle materials with care. Please consult lamp maintenance sheet on our web site

1 x 

1 x 
3.5W

1 x 
G50





* Screw gently, but firmly

