
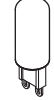

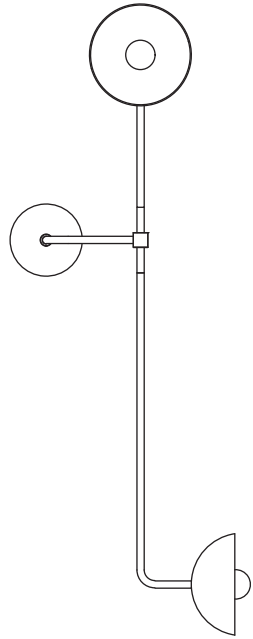

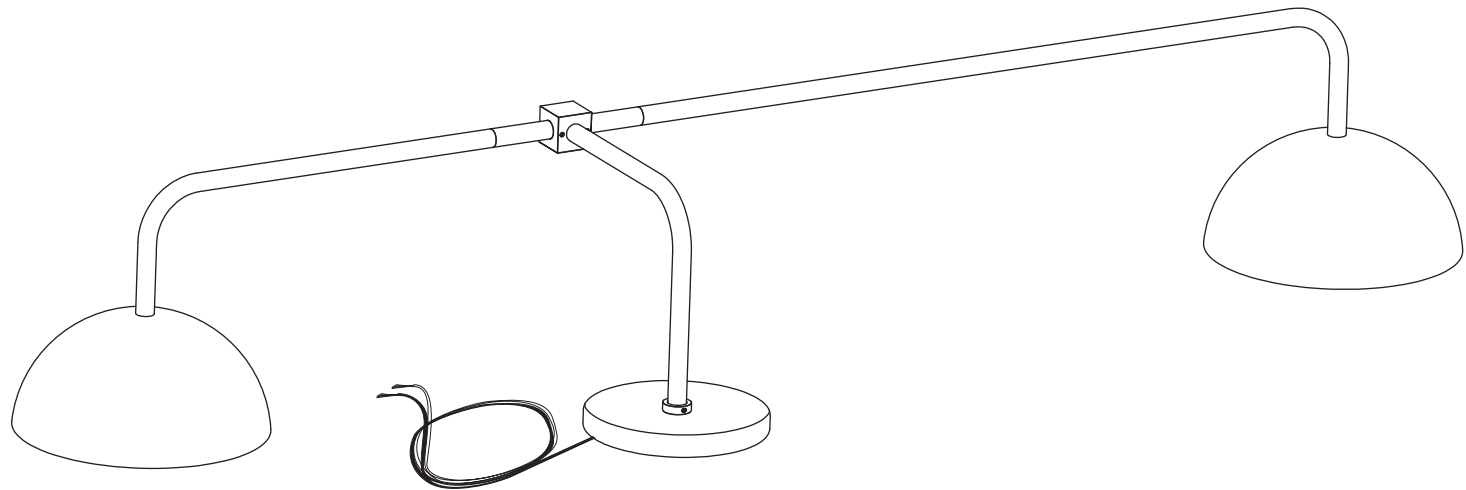


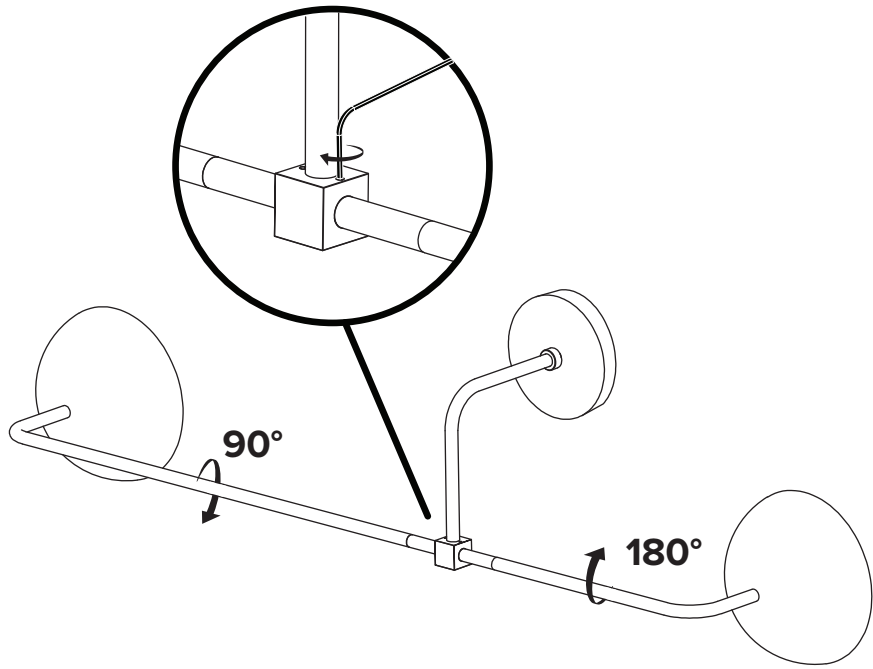
BEAUBIEN DOUBLE SHADE

1 x  2 x  3.5W 2 x  G50

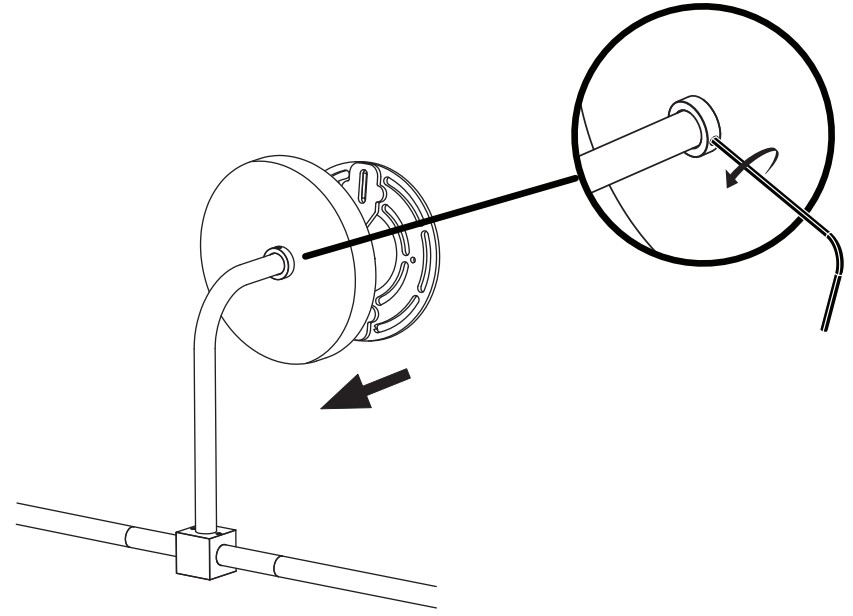


- 
- To be installed by an electrician to an electrical box
 - Use appropriate screws and anchors where necessary
 - Wear enclosed gloves when handling lamp
 - Handle materials with care. Please consult lamp maintenance sheet on our web site
 - Wall mount only

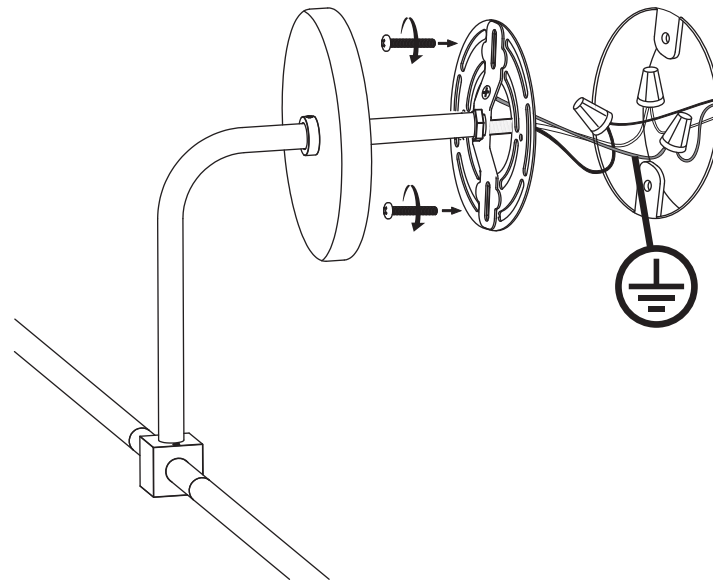




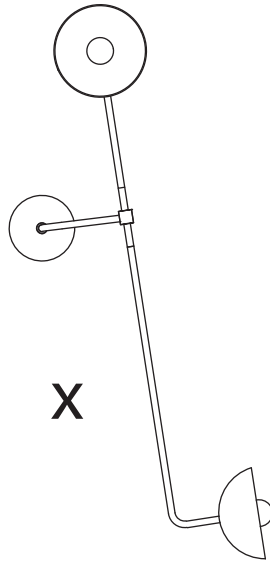
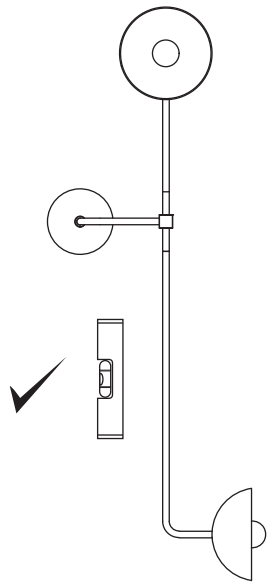
1



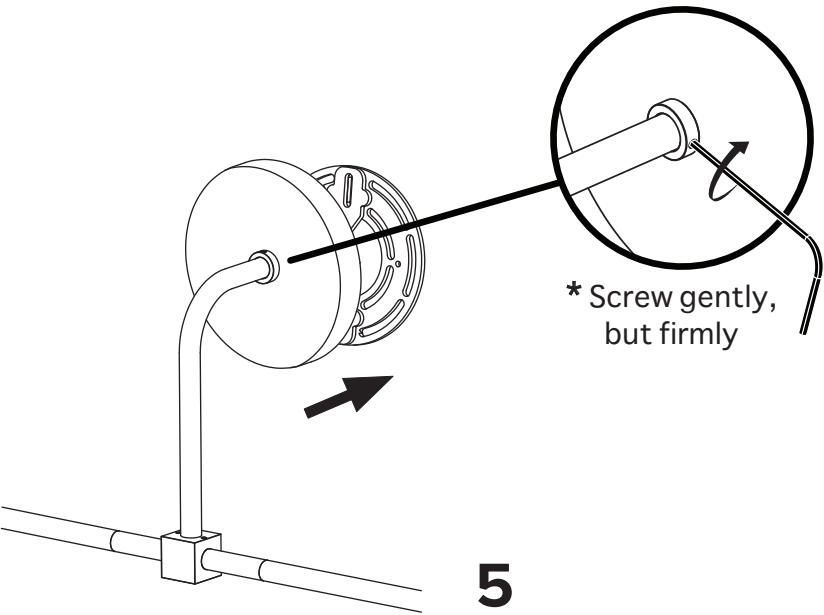
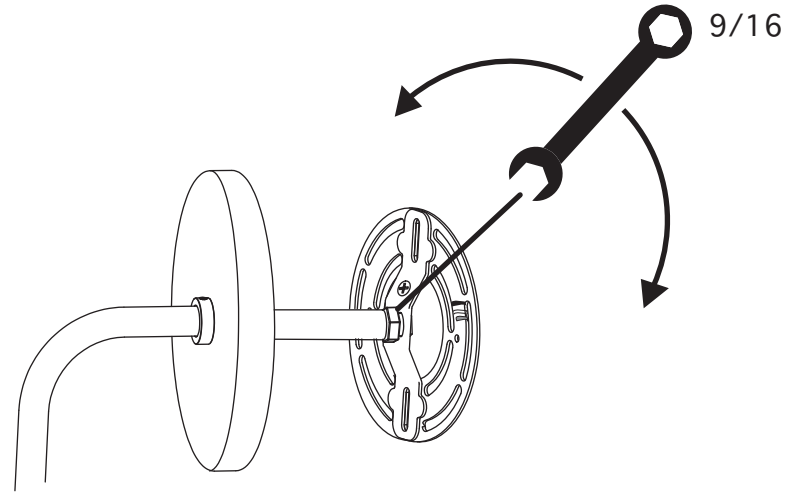
2



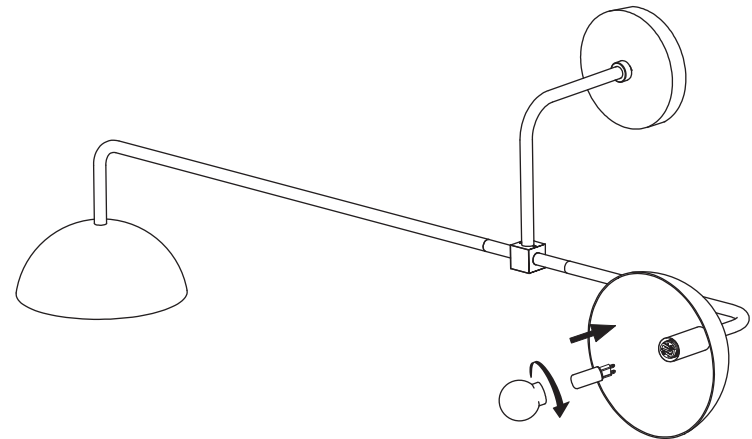
3



4



5



6