

BEAUBIEN FLOOR

1 x



4 x



3.5W

1 x



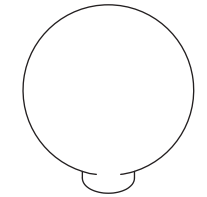
4.5W

4 x

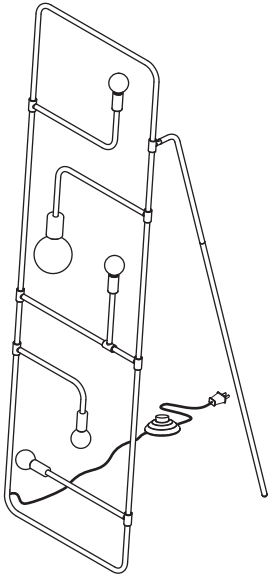


G50

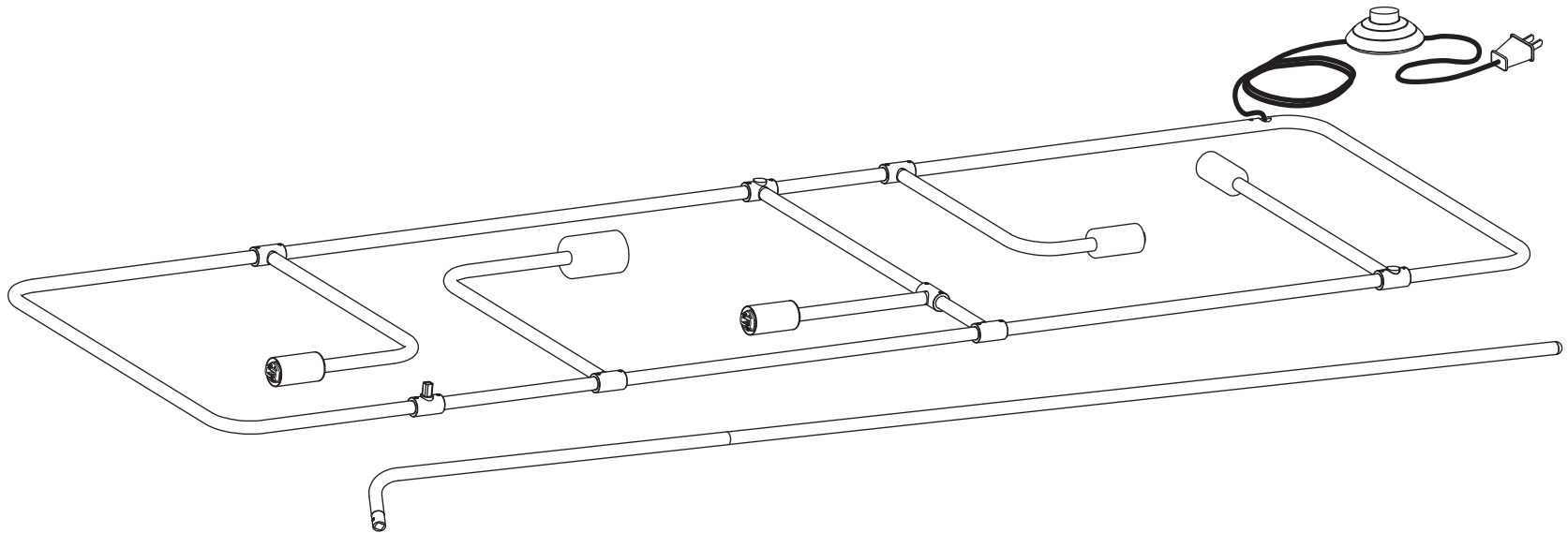
1 x

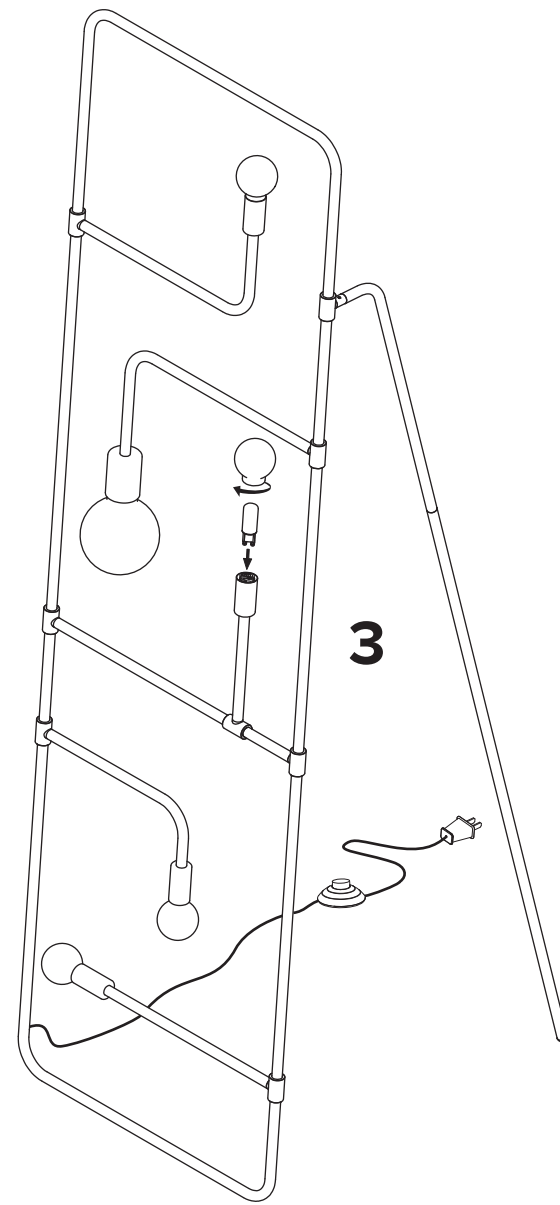
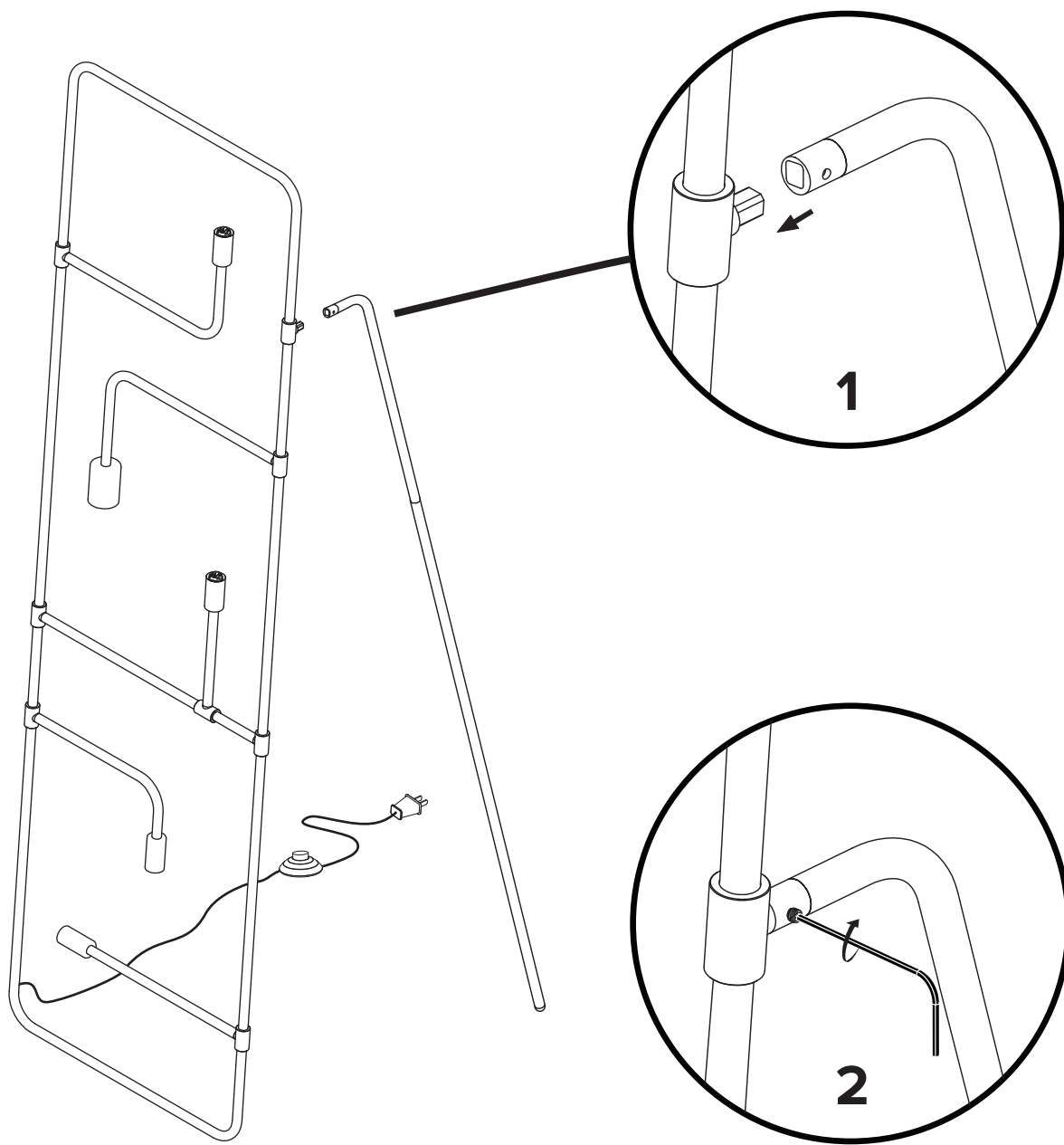


G80



- Wear enclosed gloves when handling lamp
- Hold lamp by the frame
- Handle raw brass with care. Please consult lamp maintenance sheet on our web site





* Screw gently, but firmly