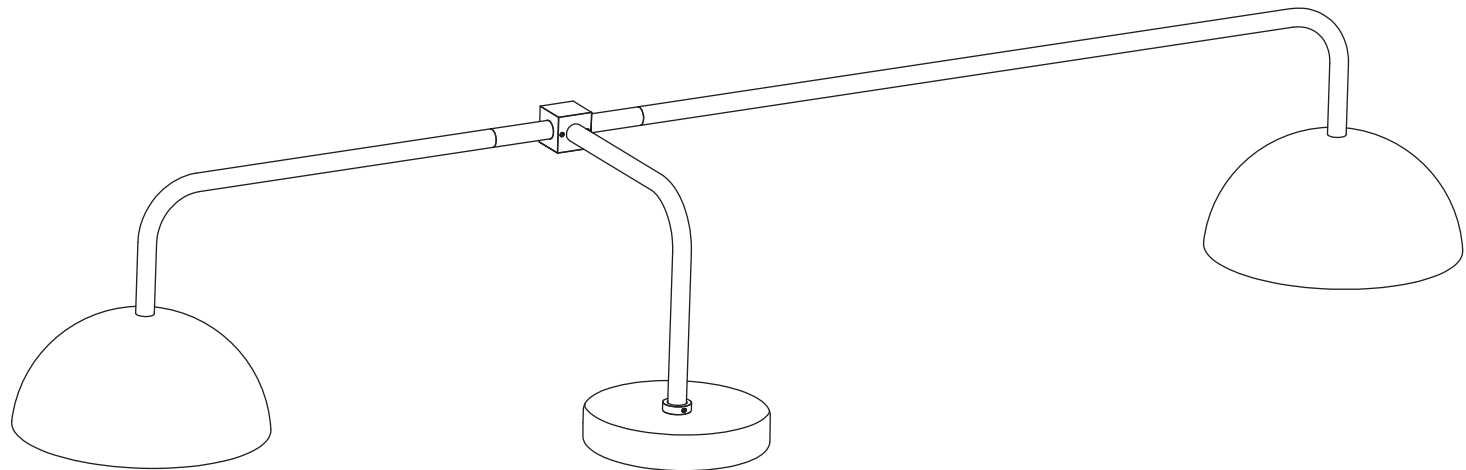
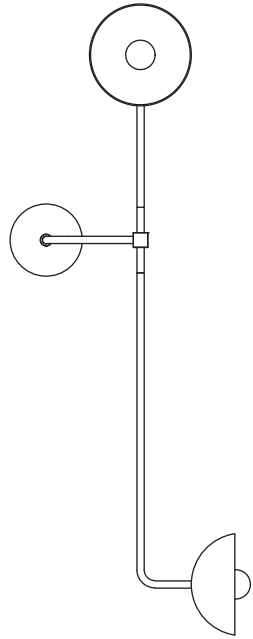


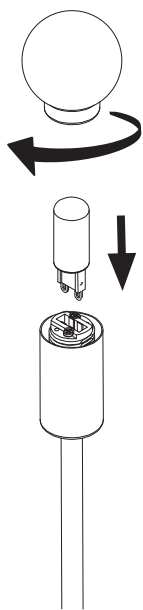
BEAUBIEN DOUBLE SHADE



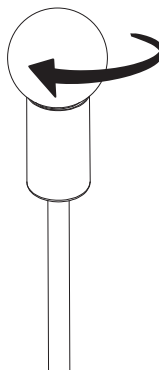
- To be installed by an electrician to an electrical box
- Use appropriate screws and anchors where necessary
- Wear enclosed gloves when handling lamp
- Handle materials with care. Please consult lamp maintenance sheet on our web site
- Wall mount only



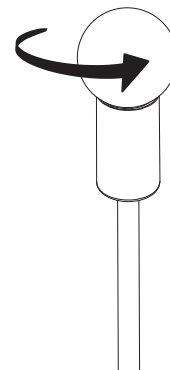
Important steps to follow when installing a glass globe



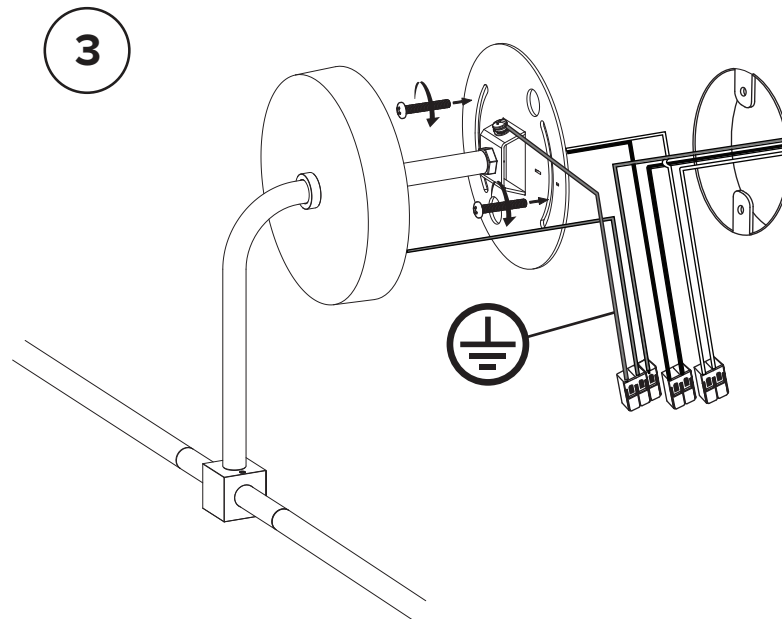
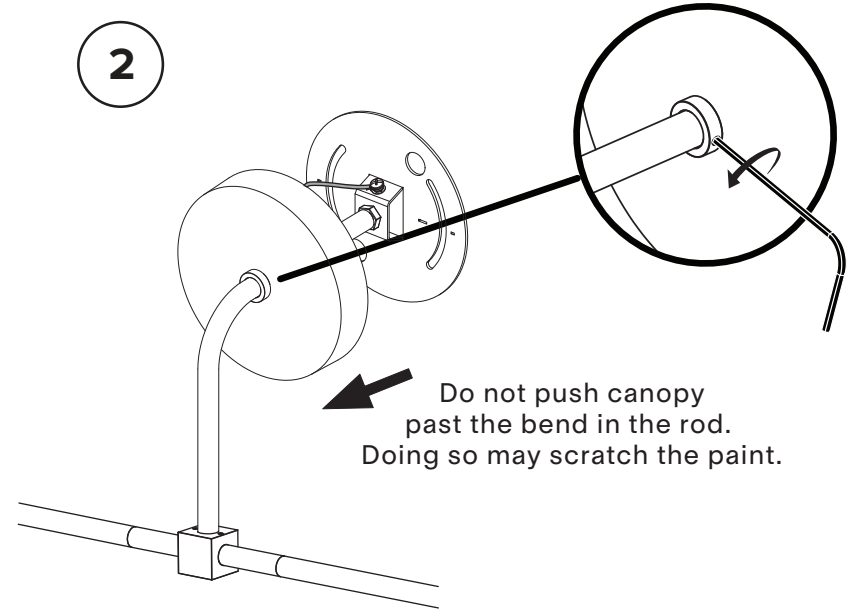
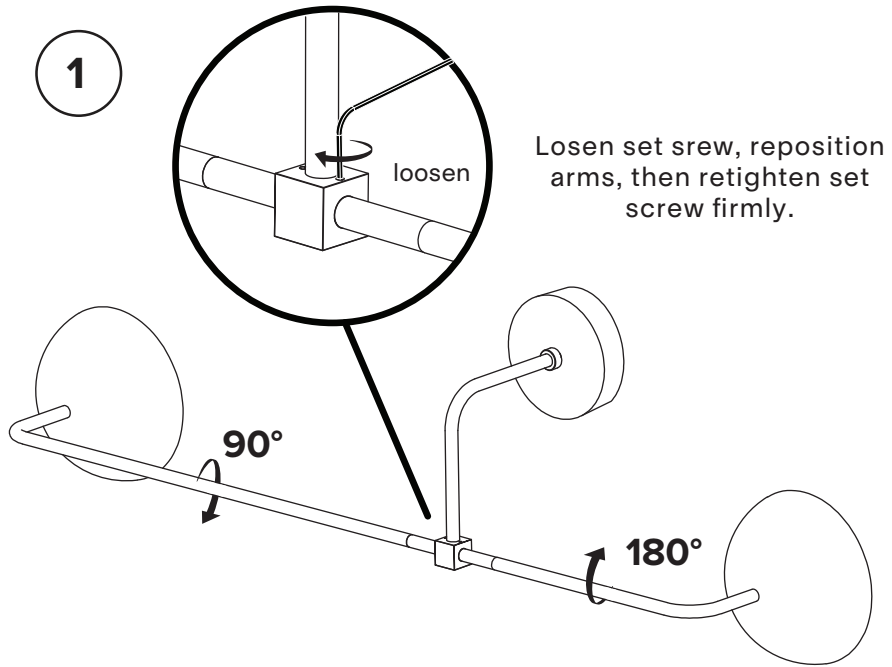
Insert bulb.



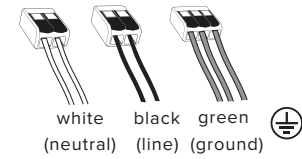
Screw in globe gently until it is tight.
Do not force the globe.



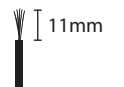
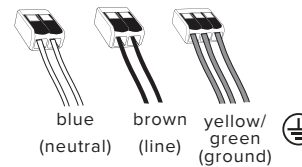
Unscrew bulb slightly 1/2 turn.



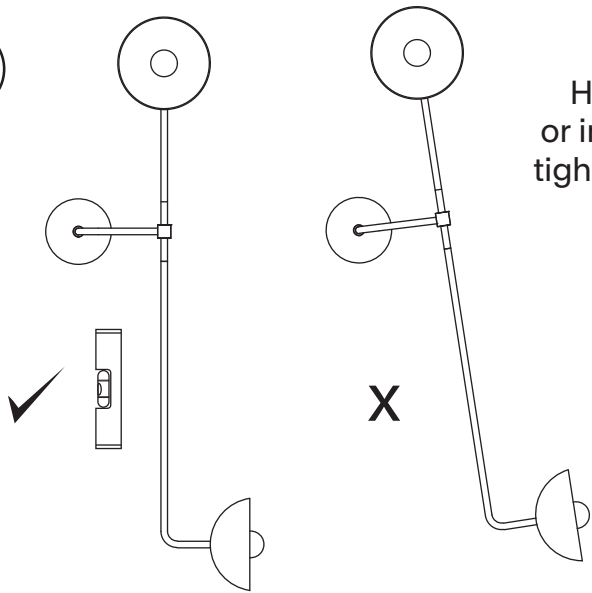
for 120 V wiring



for 220-240 V wiring



4

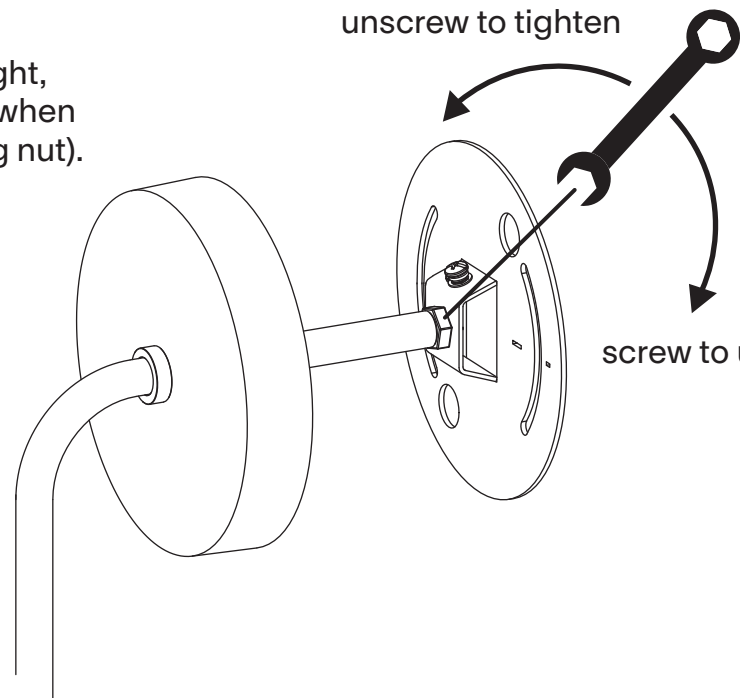


Hold luminaire straight,
or in desired position when
tightening (unscrewing nut).

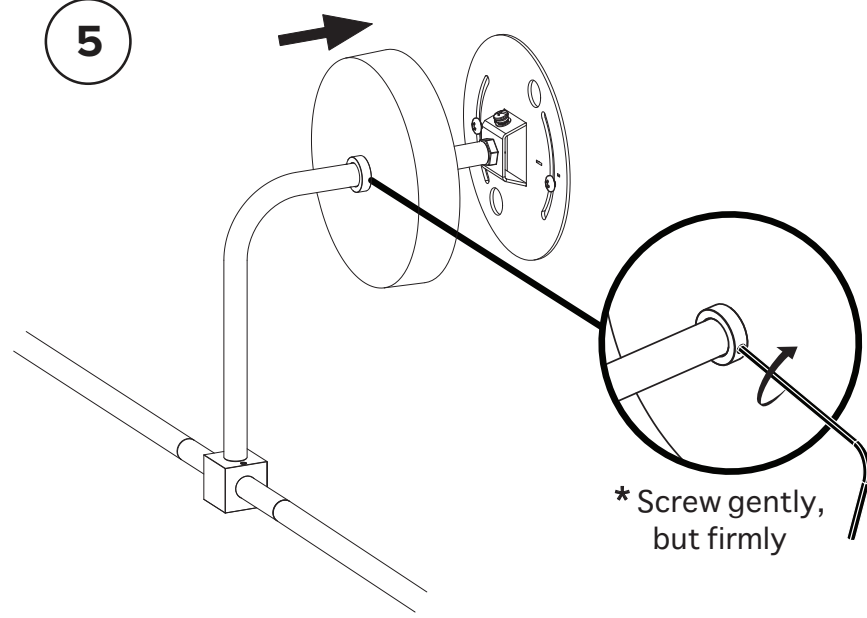
9/16 or 21mm
wrench

unscrew to tighten

screw to untighten



5



* Screw gently,
but firmly

6

