
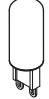
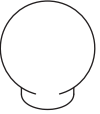
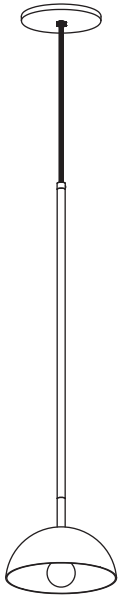

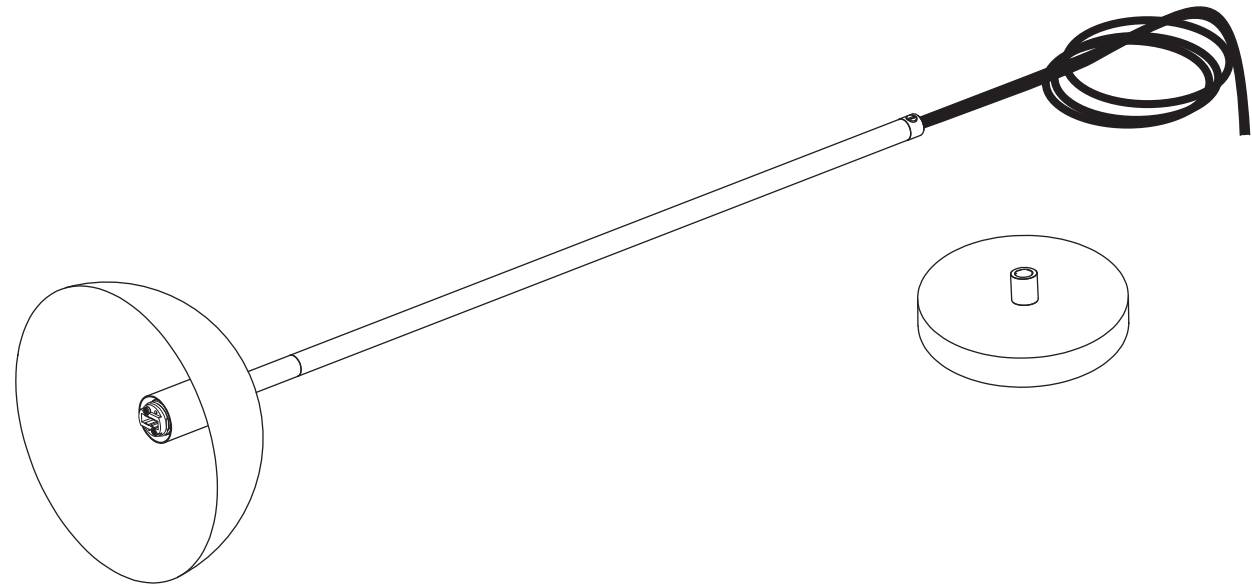


BEAUBIEN SIMPLE SHADE

1 x  1 x  1 x 

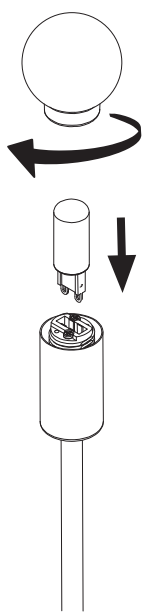


- 
- To be installed by an electrician to an electrical box
 - Use appropriate screws and anchors where necessary
 - Wear enclosed gloves when handling lamp
 - Handle materials with care. Please consult lamp maintenance sheet on our web site

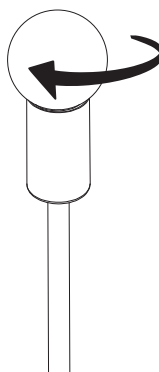




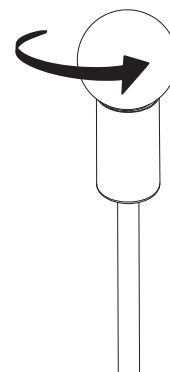
Important steps to follow when installing a glass globe



Insert bulb.

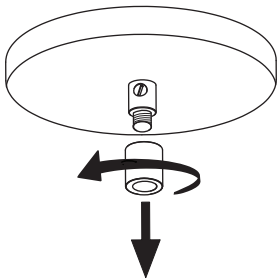


Screw in globe gently until it is tight.
Do not force the globe.

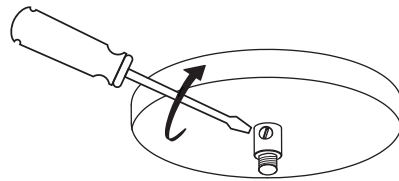


Unscrew bulb slightly 1/2 turn.

1

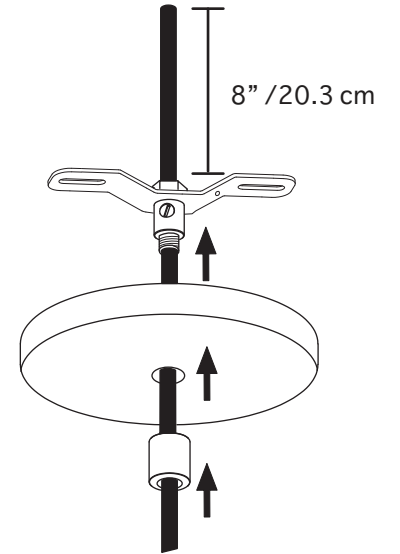


2



3

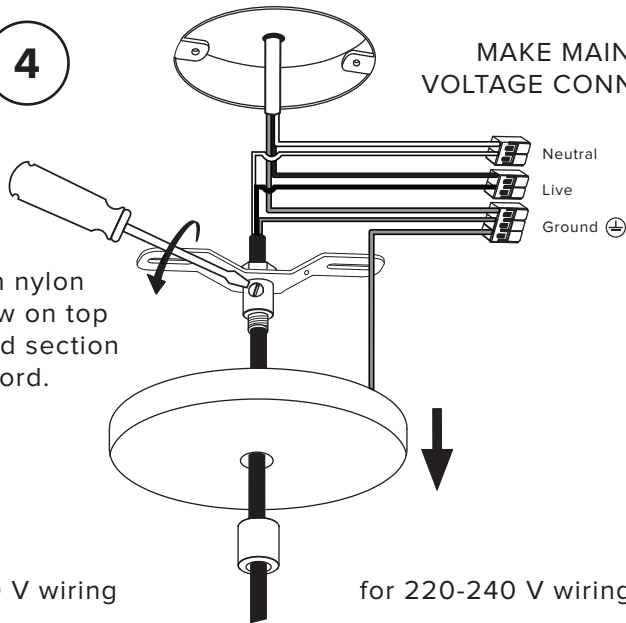
Feed cord through then adjust cord length. Leave 8" / 20.3 cm of cord after the bracket.



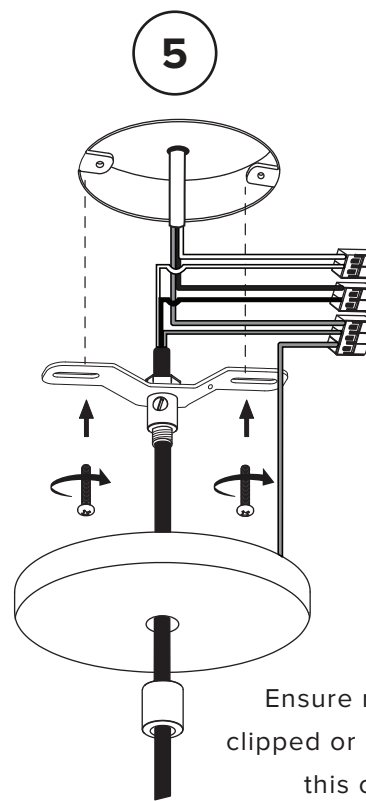
4

MAKE MAIN/LINE VOLTAGE CONNECTIONS

Tighten nylon set screw on top of sleeved section of cord.

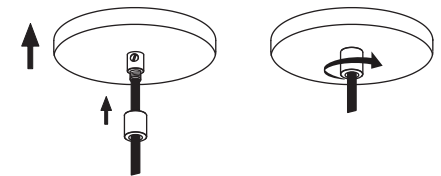


5

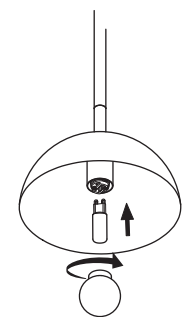


Ensure no wires are clipped or pinched during this operation.

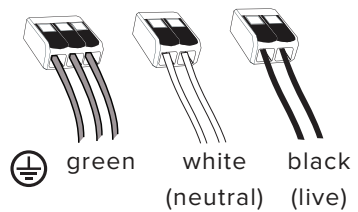
6



7



for 120 V wiring



for 220-240 V wiring

