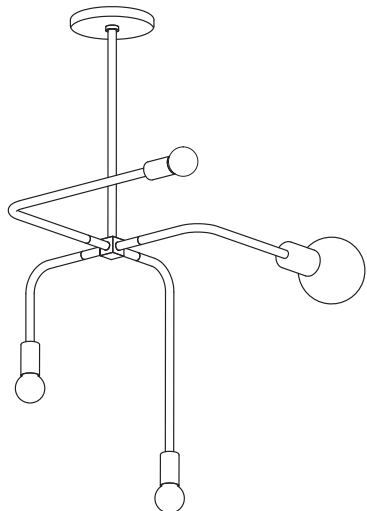
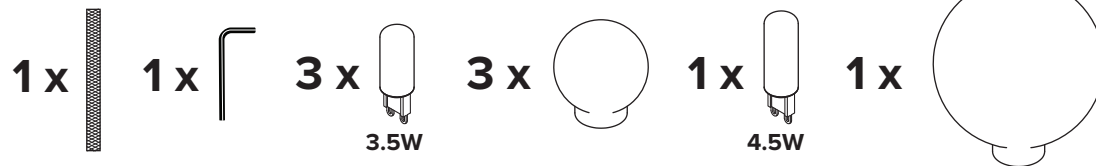

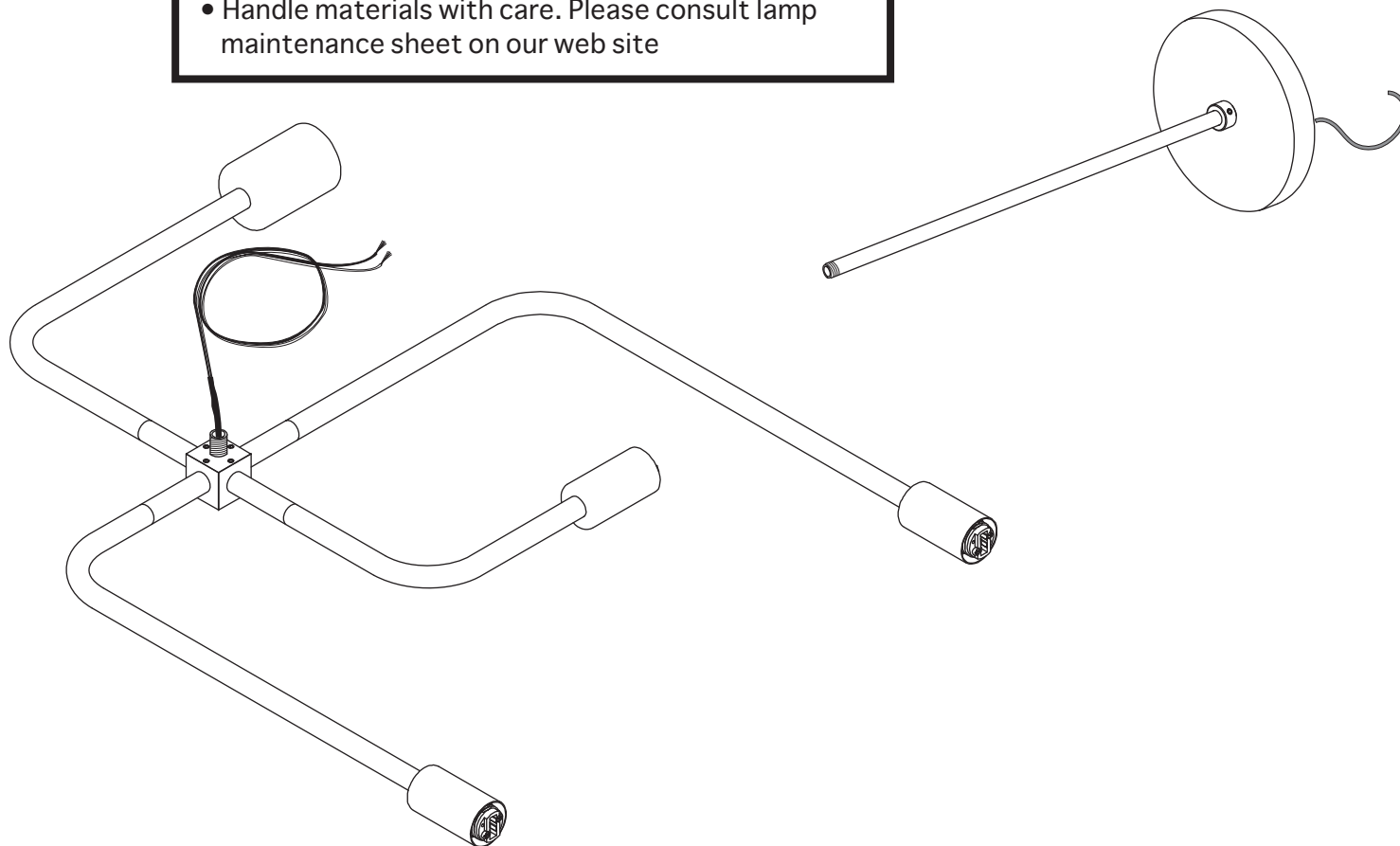


# BEAUBIEN SUSPENSION



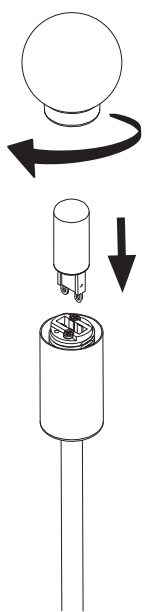


- To be installed by an electrician to an electrical box
- Use appropriate screws and anchors where necessary
- Wear enclosed gloves when handling lamp
- Handle materials with care. Please consult lamp maintenance sheet on our web site

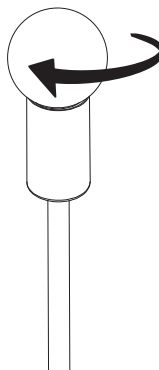




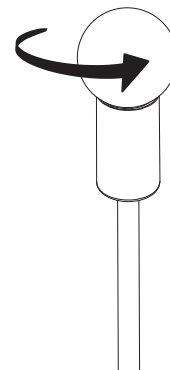
**Important steps to follow when installing a glass globe**



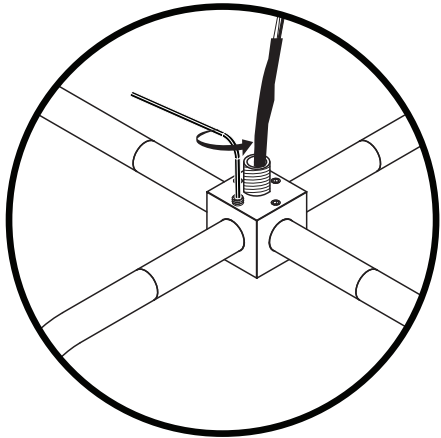
Insert bulb.



Screw in globe gently until it is tight.  
Do not force the globe.



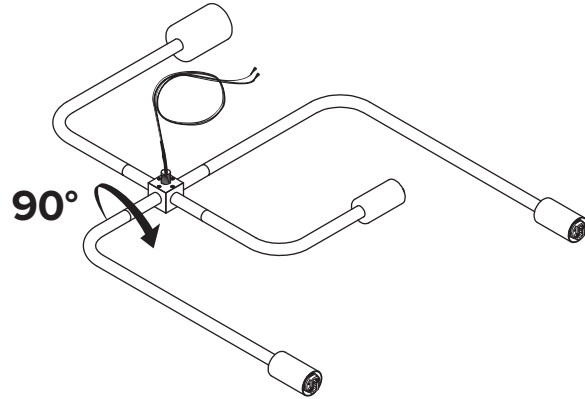
Unscrew bulb slightly 1/2 turn.



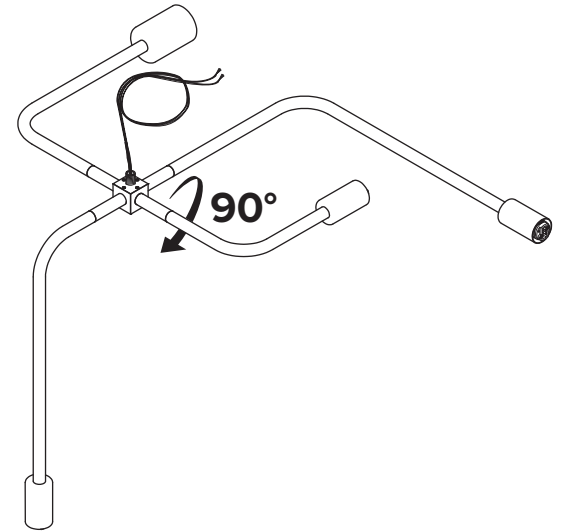
Losen set-screw  
to reposition arms.

Re-tighten set  
screw when done.

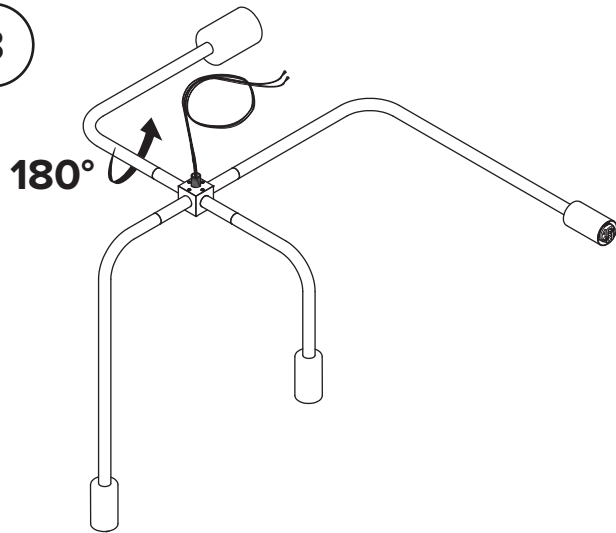
1



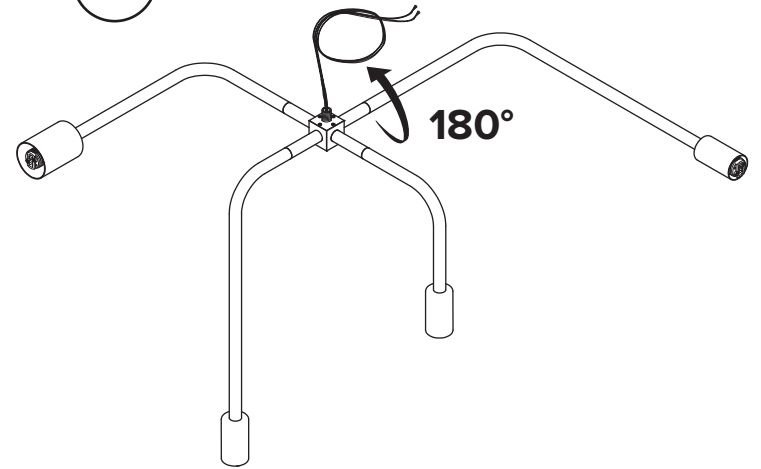
2



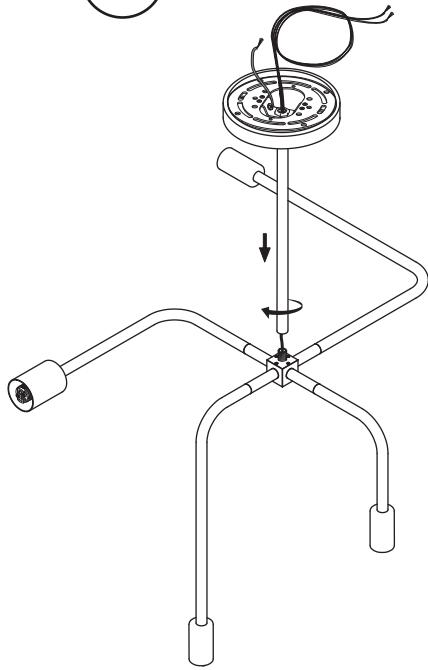
3



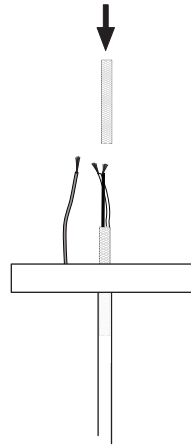
4



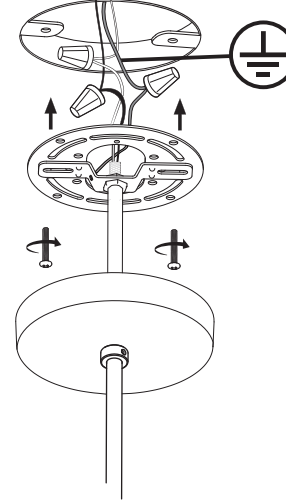
5



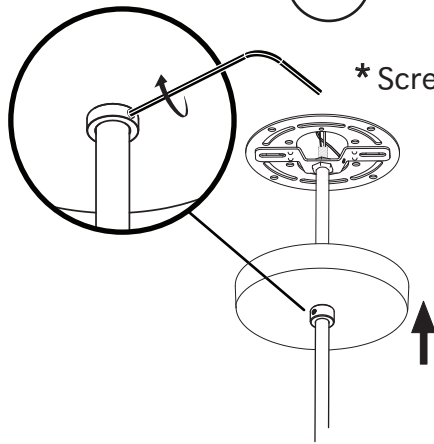
6



7

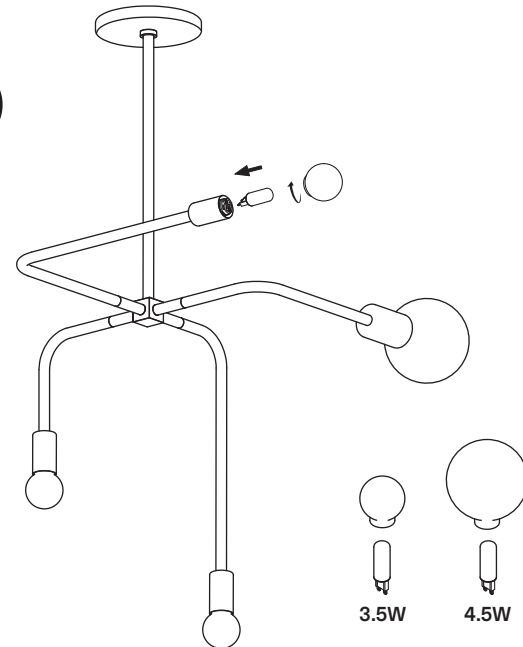


8



\* Screw gently, but firmly

9



3.5W

4.5W