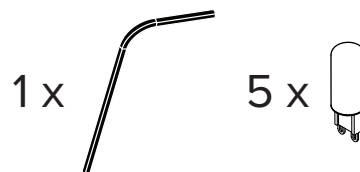
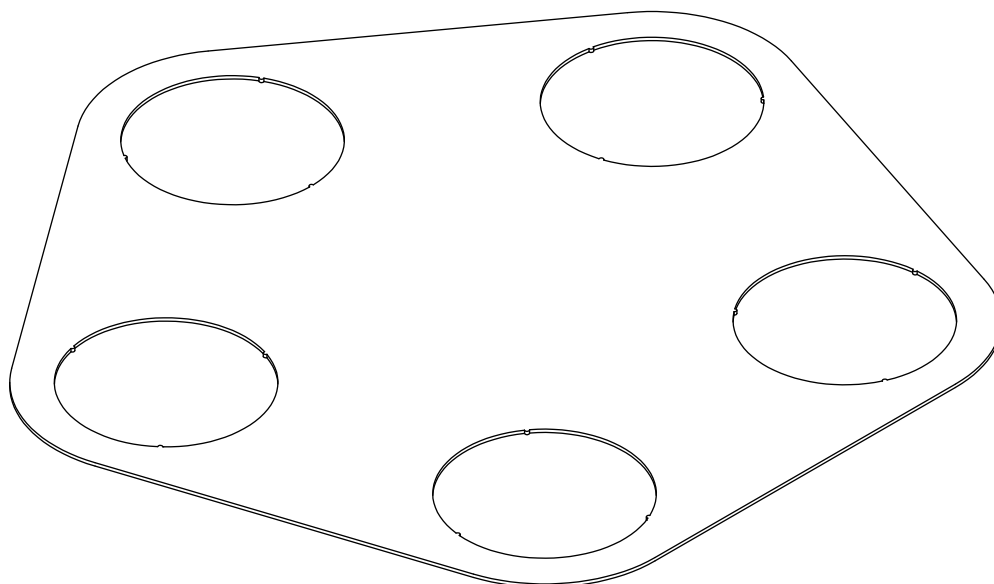
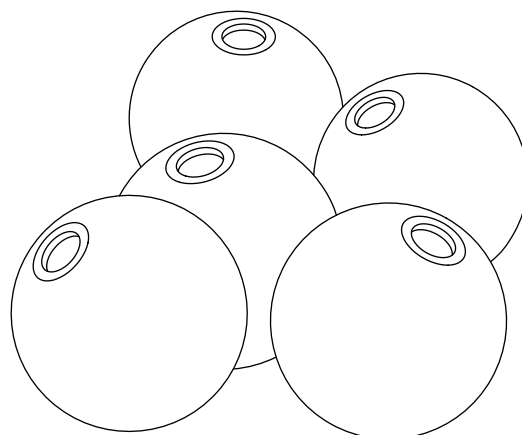
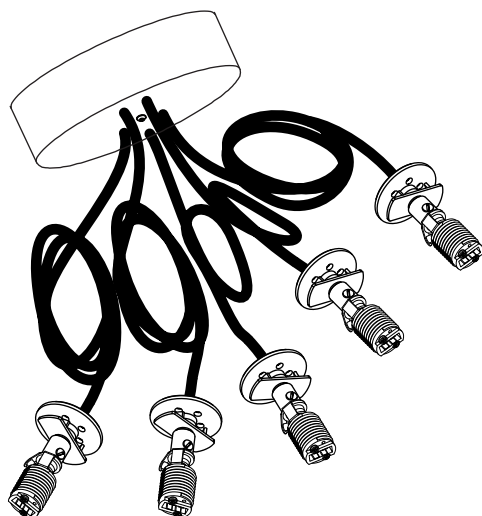


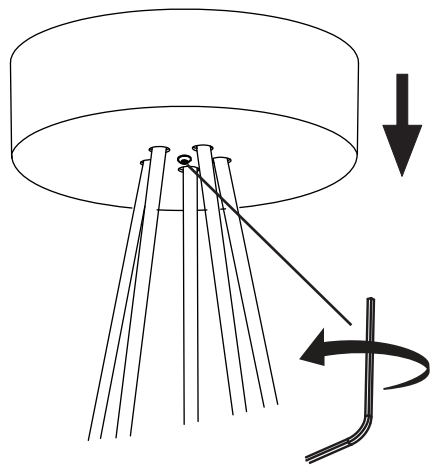
# LAURENT 04



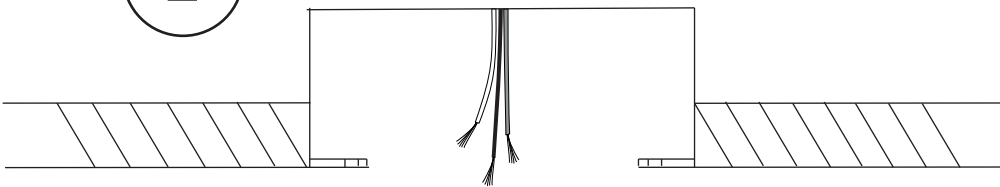
- To be installed by an electrician to an electrical box
- Use appropriate screws and anchors where necessary
- Wear enclosed gloves when handling lamp
- Handle materials with care. Please consult lamp maintenance sheet on our web site
- Should be used exclusively as a lamp and not as a shelving, display or hanging unit



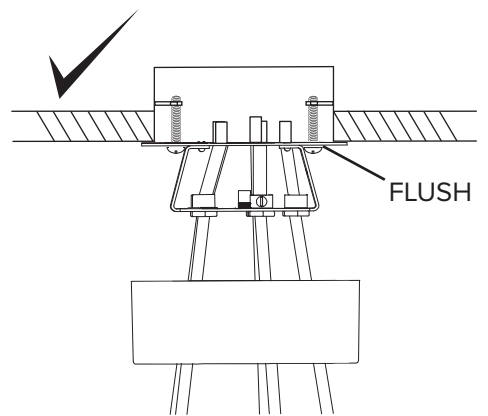
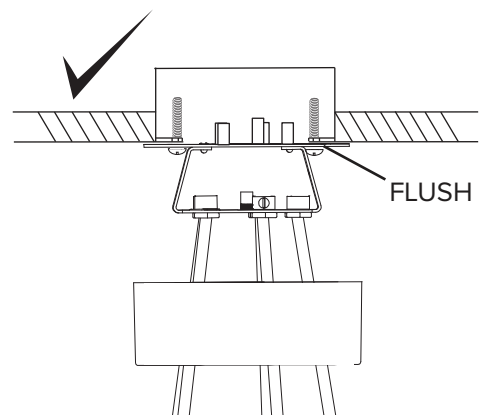
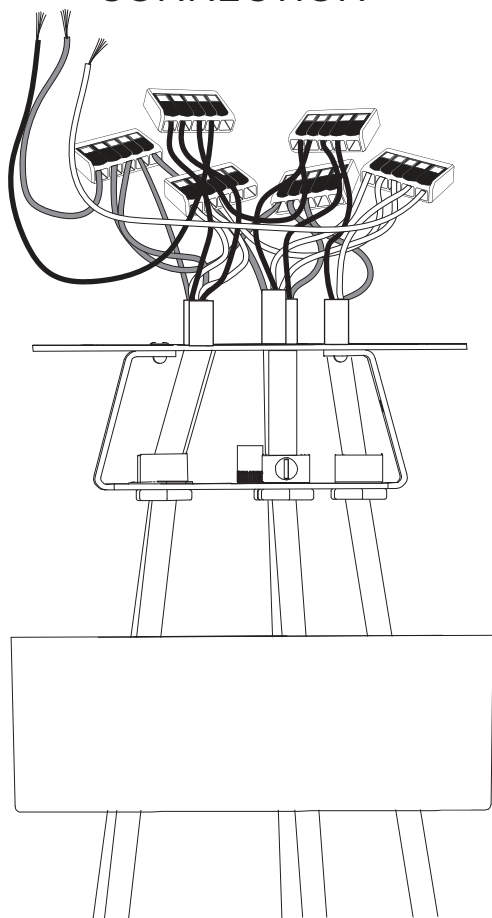
1

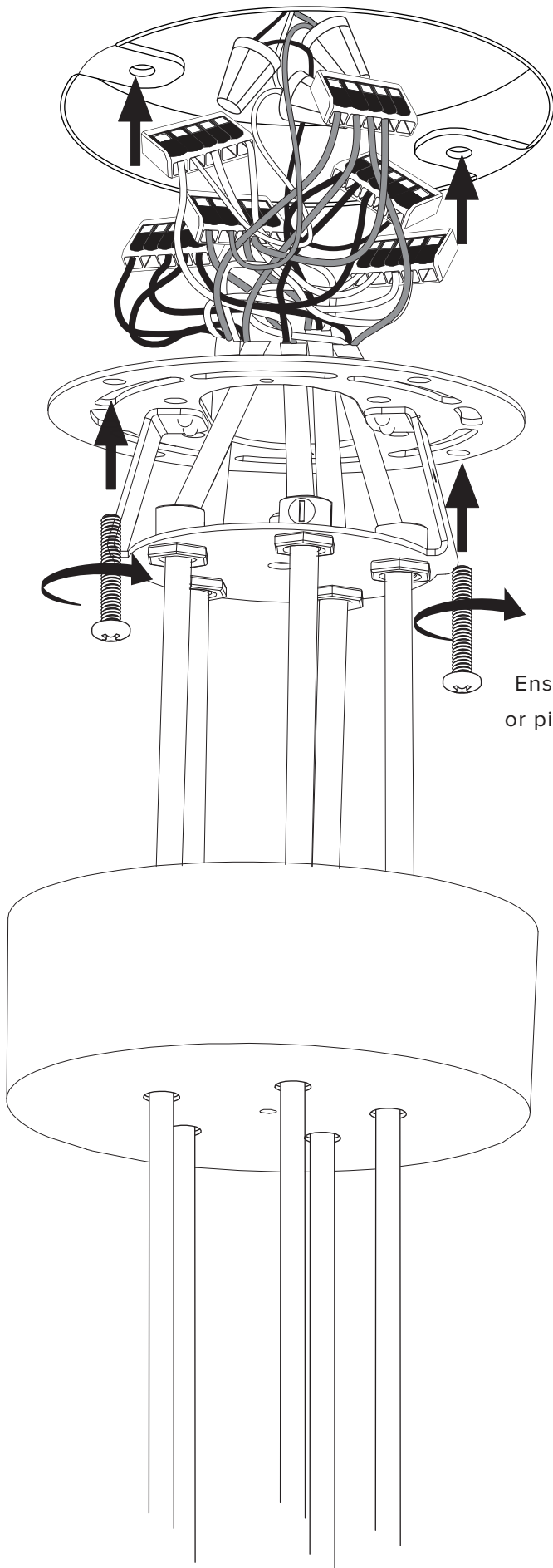


2



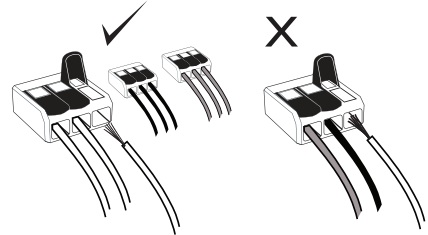
CONNECTION





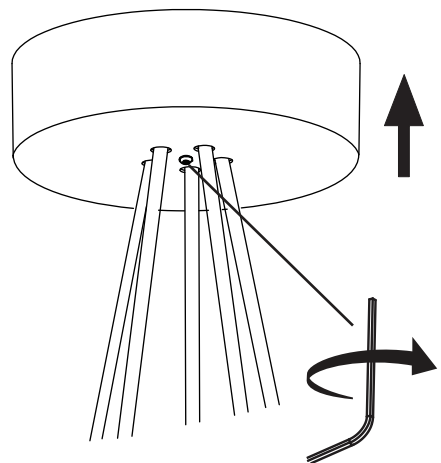
3

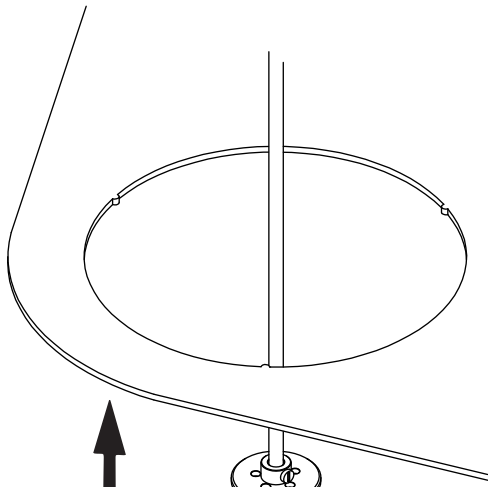
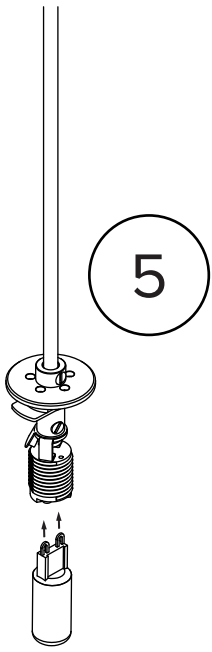
Make connection.  1/4"



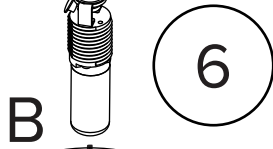
Ensure no wires are scratched or pinched during this operation.

4





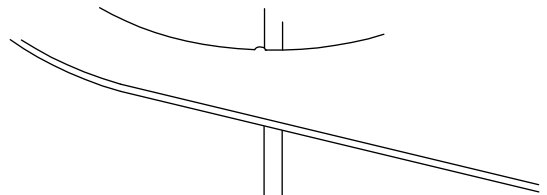
A



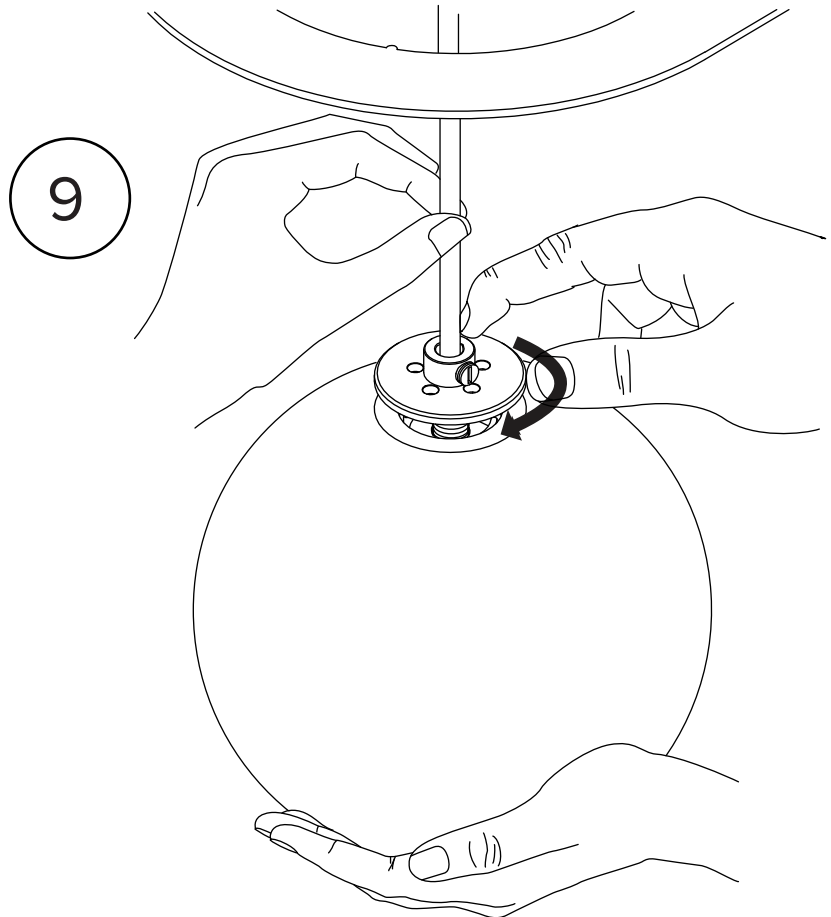
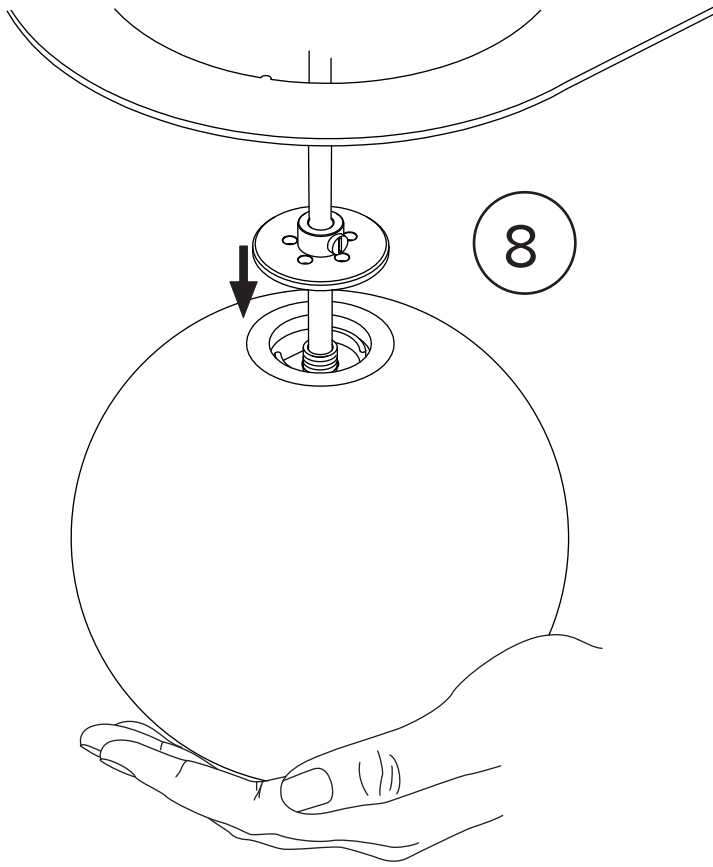
B



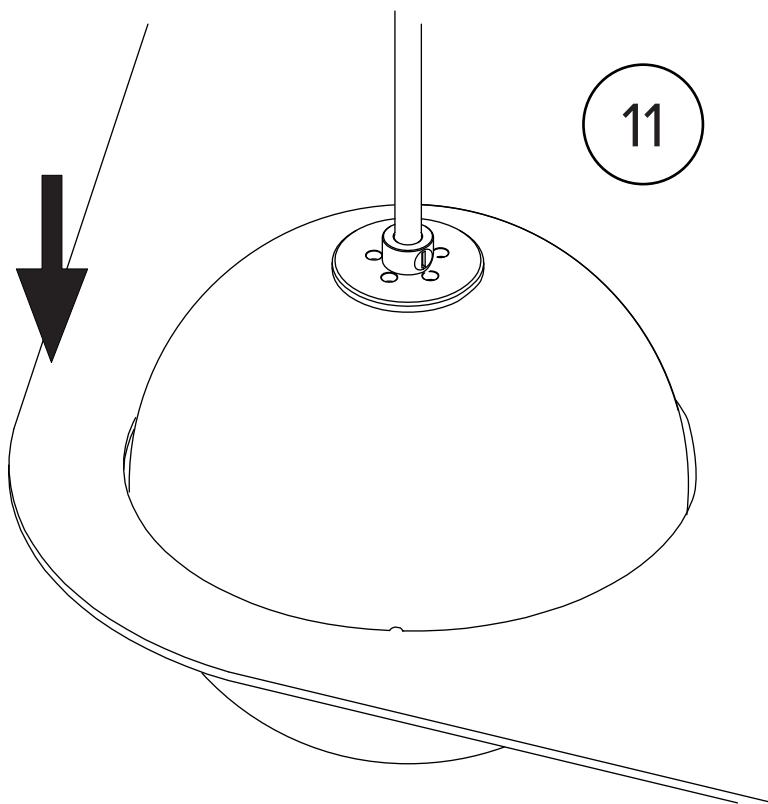
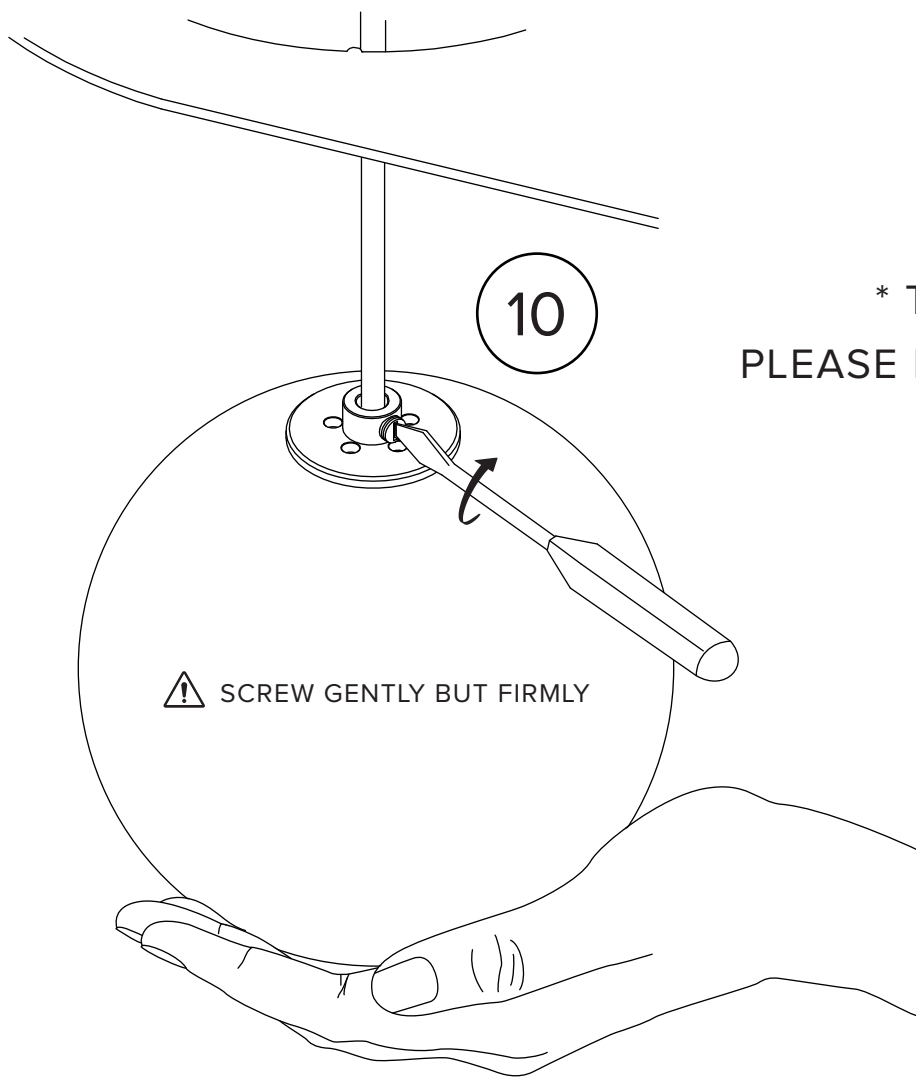
6



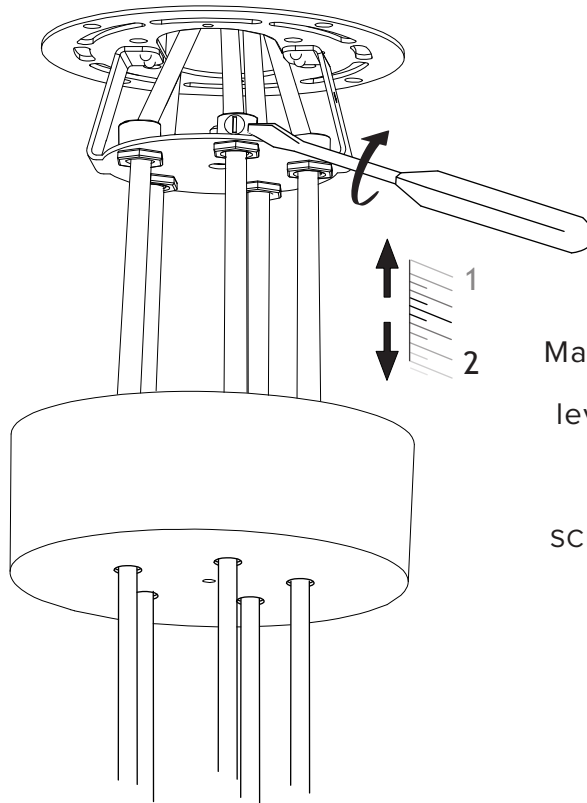
7



\* To ensure safety,  
PLEASE FOLLOW THESE STEPS  
CAREFULLY



12



Make sure the globes are level by micro-adjusting the wire lengths.

SCREW GENTLY BUT FIRMLY

