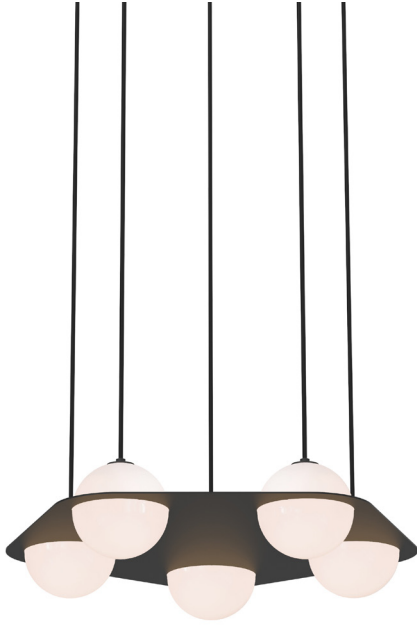

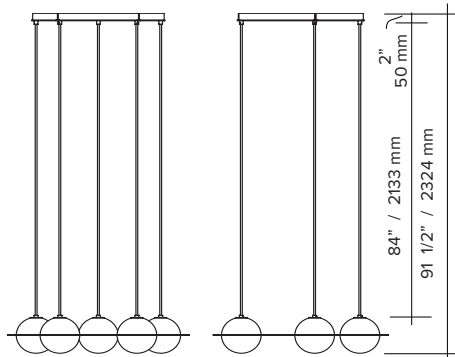


## LAURENT 04

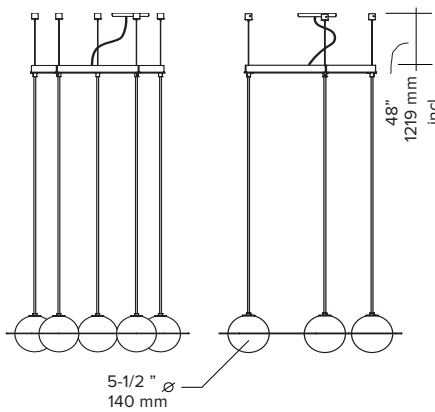


<b>type</b>	suspension	
<b>materials</b>	sphere:	handblown opaline glass
	frame:	polished brass or powder coated aluminum or nickel plated steel
<b>hardware:</b>	polished brass or powder coated aluminum	
	<b>wire:</b>	nylon/polyester
<b>weight</b>	14 lb / 6 kg	
<b>light bulb</b>	LED (included), 4,5W (see lightbulb section for specifications)	
<b>sockets</b>	G9	
<b>voltage</b>	120V / 240V	
<b>dimmer</b>	refer to our recommended list of dimmer models	
<b>certifications</b>		
<b>notes</b>	<ul style="list-style-type: none"> <li>- must be installed by an electrician</li> <li>- additional charges for modifications or for special orders</li> <li>- lead time between 7-9 weeks.</li> <li>- dimensions are approximate and may vary slightly.</li> </ul>	

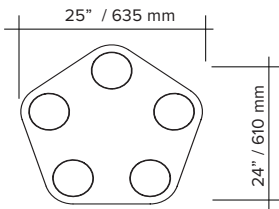
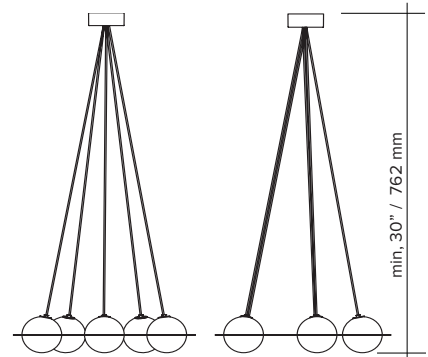
parallel wires



parallel wires with offset connection

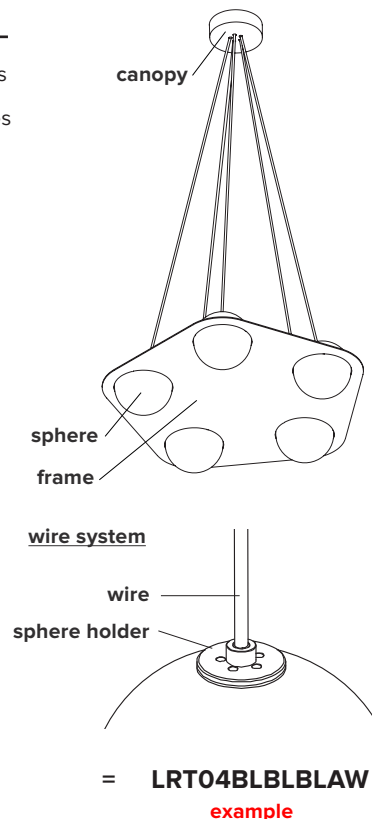


angled wires

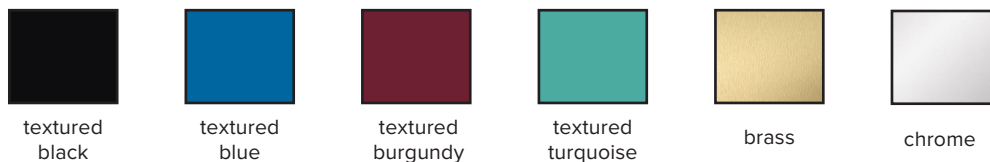


## ORDER GUIDE: SKU

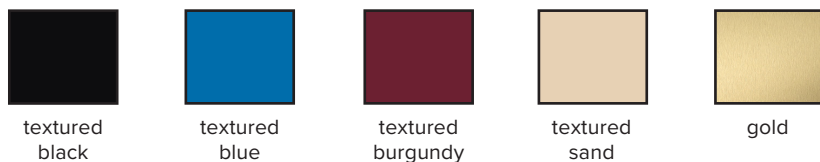
COLLECTION	MODEL	COLOUR (frame + wire system)	CANOPY	MOUNTING TYPE
LRT Laurent	04	<b>BLBL</b> black + black <b>BRBL</b> brass + black <b>BRGD</b> brass + gold <b>CHBL</b> chrome + black <b>CHBE</b> chrome + blue <b>BEBL</b> blue + black <b>BEBE</b> blue + blue <b>BUBL</b> burgundy + black <b>BUSA</b> burgundy + sand <b>BUBU</b> burgundy + burgundy <b>TUBL</b> turquoise + black <b>TUSA</b> turquoise + sand	<b>BL</b> black	<b>AW</b> angled wires <b>PW</b> parallel wires
LRT	04	BLBL	BL	AW



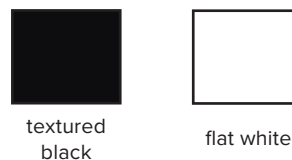
### FRAME COLOUR



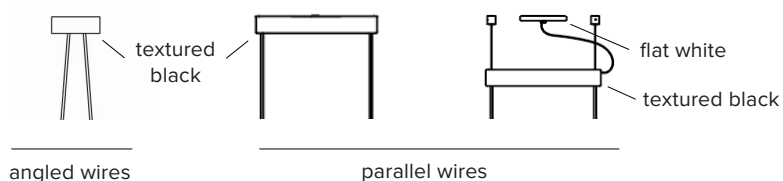
### MOUNTING COLOUR sphere holder & wires



### CANOPY COLOR custom color available on demand

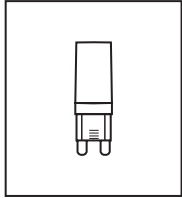


### MOUNTING TYPE

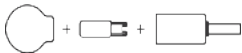


## LIGHT BULB & DIMMER SPECIFICATIONS

### G9 SOCKETS



Frosted  
4.5W  
100V-120V / 240V  
450 Lumens  
2700 K  
25 000 H  
CRI ≥80  
2 years warranty



### DIMMER LIST COMPATIBILITY FOR G9 LED BULBS – 120V

The dimming technology offering the best results is ELV (electronic low voltage) dimmers with reverse phase or trailing edge control.

<u>DIMMER BRAND</u>	<u>MODEL NUMBER</u>	<u>MAX LEVEL</u>	<u>MIN LEVEL</u>	<u>FLICKERING</u>	<u>OVERALL QUOTE</u>
LUTRON - MAESTRO	MAELV-600	100%	0%	0%-10%	good
LUTRON - SKYLARK	SELV-300P	100%	0%	no	very good
LUTRON - SKYLARK	SELV-303P	100%	0%	no	very good
LUTRON - SKYLARK	CTELV-303P	100%	0%	no	very good
LUTRON - DIVA	DVELV-300P	100%	0%	no	very good
LEGRAND - ADORNE	TRUE UNIVERSAL	100%	30%	no	good

### DIMMER LIST COMPATIBILITY FOR G9 LED BULBS – 230V

<u>DIMMER BRAND</u>	<u>MODEL NUMBER</u>	<u>MAX LEVEL</u>	<u>MIN LEVEL</u>	<u>FLICKERING</u>	<u>OVERALL QUOTE</u>
VARILIGHT	V-PRO	100%	2%	no	very good
LEGRAND - NILOÉ	3 996 35	87%	15%	no	good
NIKO	310-0280X	94%	5%	no	very good
NIKO	310-0190X	100%	1%	no	very good

\*Other dimmers can yield good results and we recommend conducting your own test before final installation.