



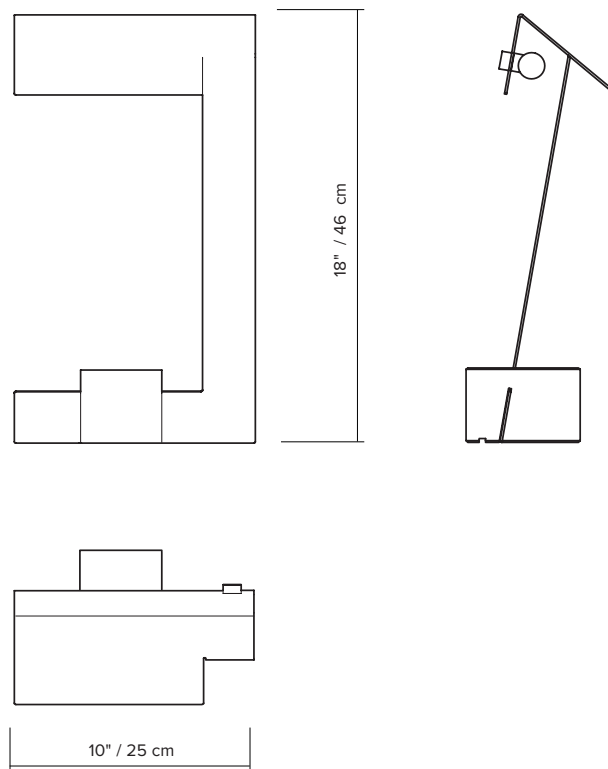




CLARK TABLE

The Clark Collection pushes the limits of form without sacrificing functionality. Cut and bent metal create shades that both block and reflect the lamp's light source, casting an even wash of light on any surface. Marble is used not only to anchor the lamps, but also to provide a contemporary touch to its surrounding environment. The rich materials and subtle use of angles in these lamps seamlessly blend elegance and playfulness.

type:	table
construction:	polished brass or powder coated aluminium shade marble base nylon or vinyl cord
specifications:	source: LED lamp provided (G9 base) power consumption: 3,5W lumen output: 319lm colour temperature: 2700K included *3000K available upon request colour rendering index: 80 CRI standard * ≥ 90 CRI upon request expected lifetime: 25 000h
control:	refer to our recommended list of dimmer models
cord length:	116" / 295 cm, hand switch at 30" / 76 cm from lamp
weight:	8.5lb / 3.9kg
certifications:	   
warranty:	2 years



ORDER GUIDE: SKU

COLLECTION	MODEL	FINISH
CLA clark	01	BR brass
		BL black
		WH white
CLA	01	BK = CLA01BK example

FINISH



flat black



flat white

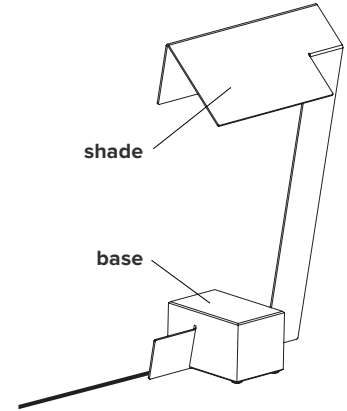


brass

BASE



marble



NOTES:

- not protected against liquids (refer to IP20)
- additional charges for modifications or for special orders
- please refer to maintenance sheet on website for cleaning instructions

EU ENERGY LABEL

lambert&fils CLARK 01

This luminaire is compatible with bulbs of the energy classes:

A⁺⁺
A⁺
A
B
C
D
E

}

This luminaire is sold with a bulb of the energy class : A⁺

874/2012