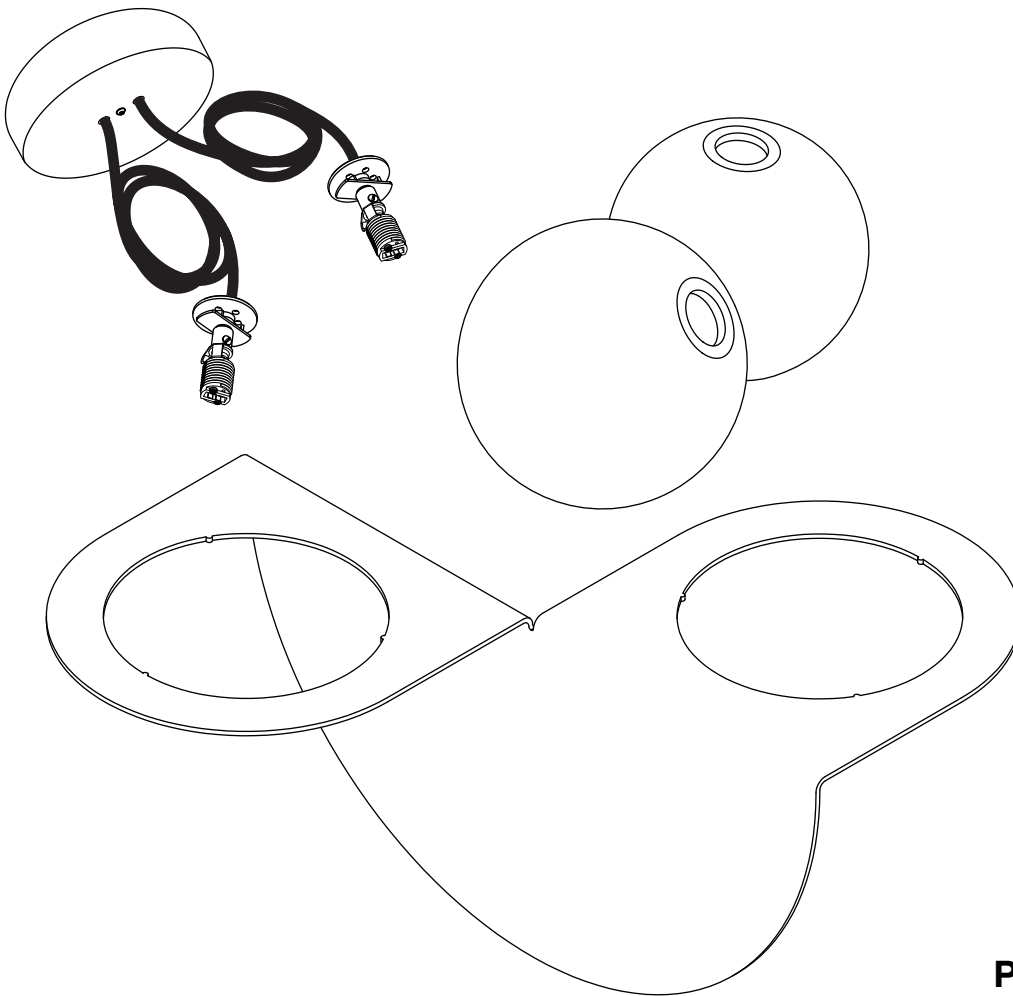
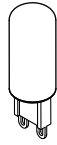
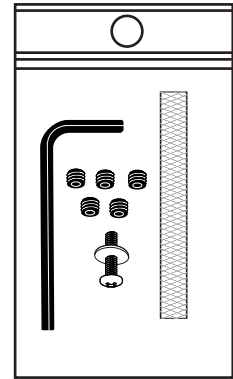


LAURENT ANGLED



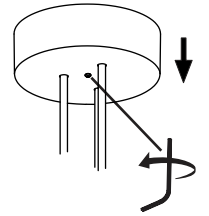
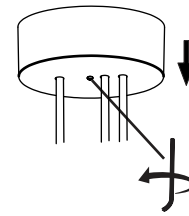
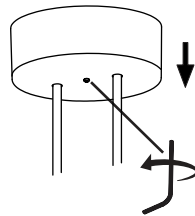
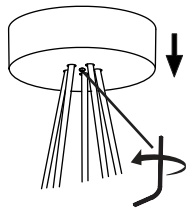
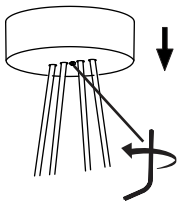
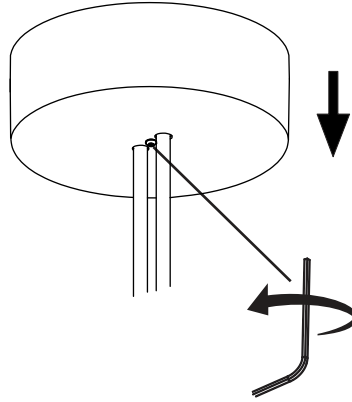
- To be installed by an electrician to an electrical box
- Use appropriate screws and anchors where necessary
- Wear enclosed gloves when handling lamp
- Handle materials with care. Please consult lamp maintenance sheet on our web site
- Should be used exclusively as a lamp and not as a shelving, display or hanging unit



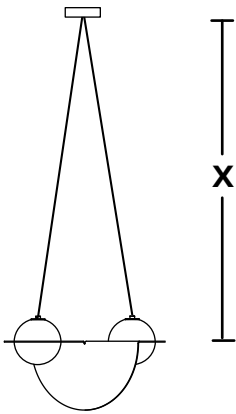
PLEASE NOTE

THIS IS AN EXAMPLE OF THE LRT 01.
HOWEVER, ALL MODELS FOLLOW
THE SAME INSTALLATION PROCESS.

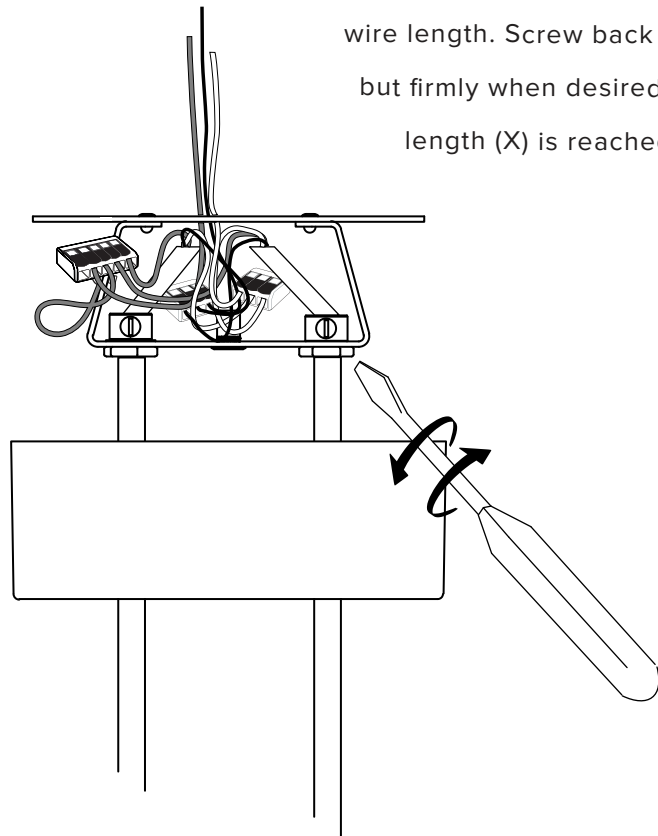
1



2



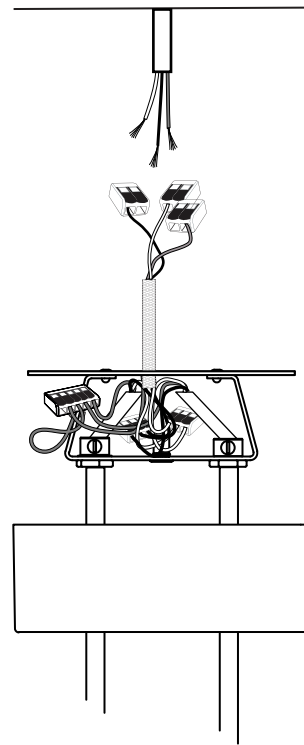
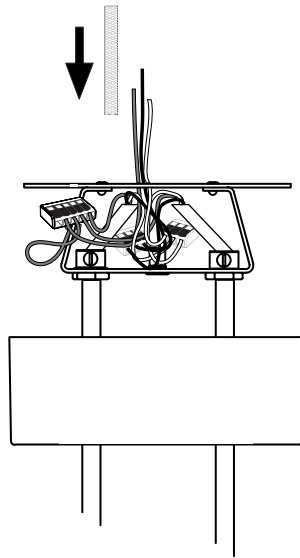
Loosen set screws to adjust wire length. Screw back gently but firmly when desired wire length (X) is reached.



Trim wires to desired length (X).
Do not leave a large excess of wires
inside canopy. Reconnect them as before.

3

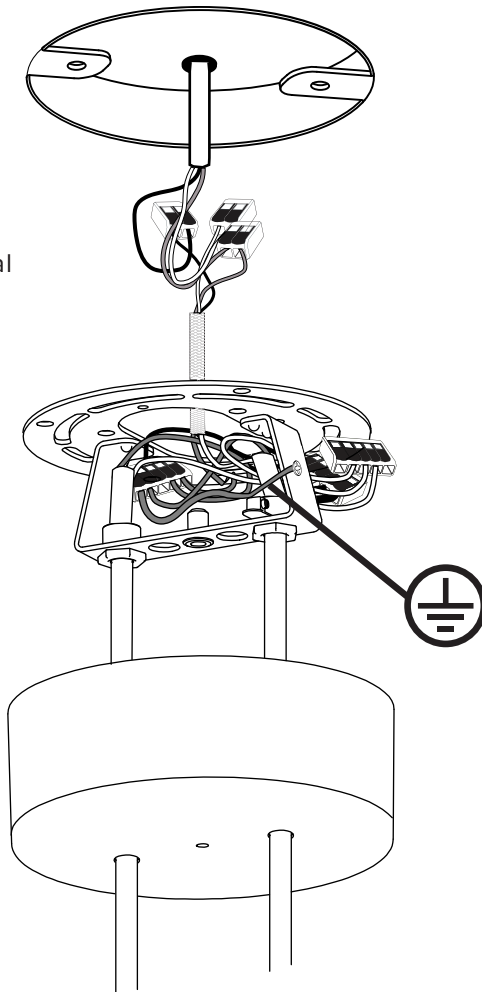
Insert provided fiberglass heat sleeve then reconnect the double wagos.



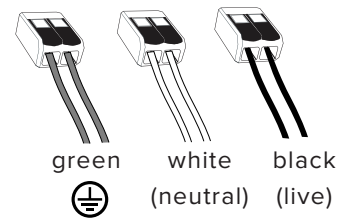
4

Make connection.

We recommend making your connection within the electrical box, however you may also make your connections within your canopy.

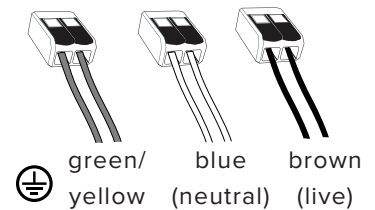


UL US LISTED



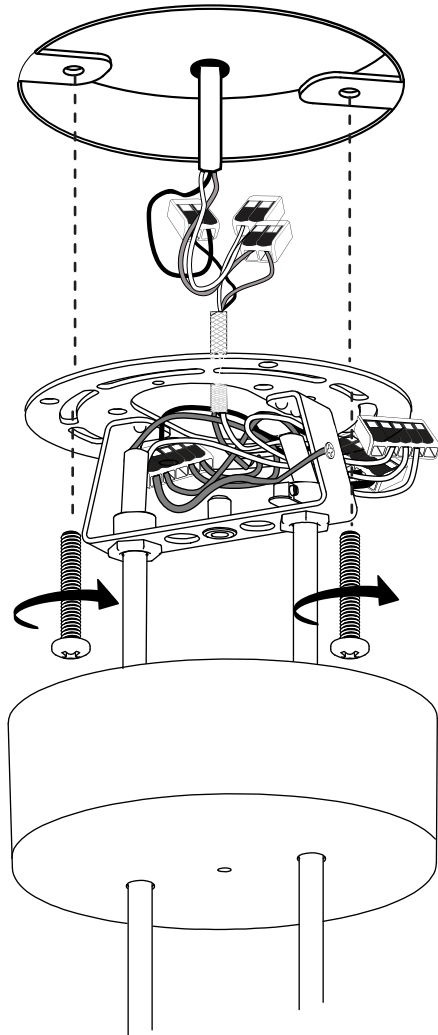
6mm

CE

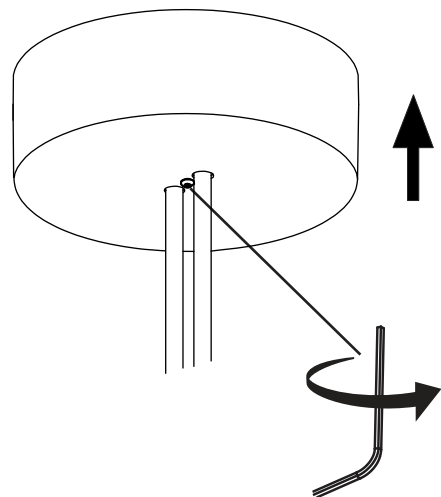


5

Ensure no wires are scratched or pinched during this operation.

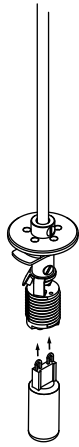


6

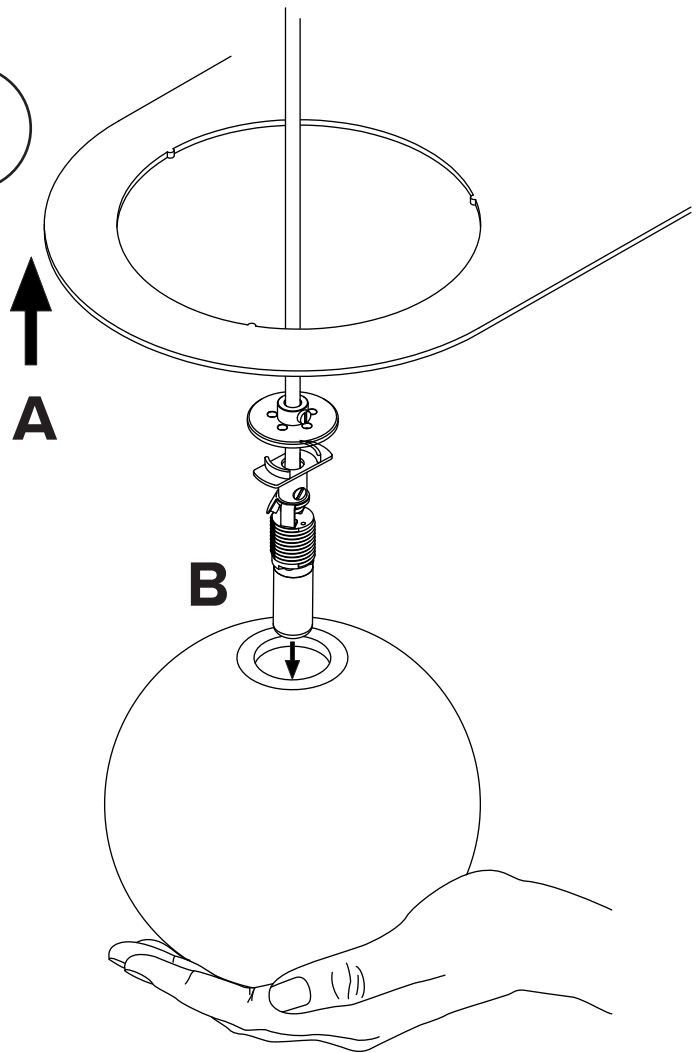


Screw gently, but firmly

7

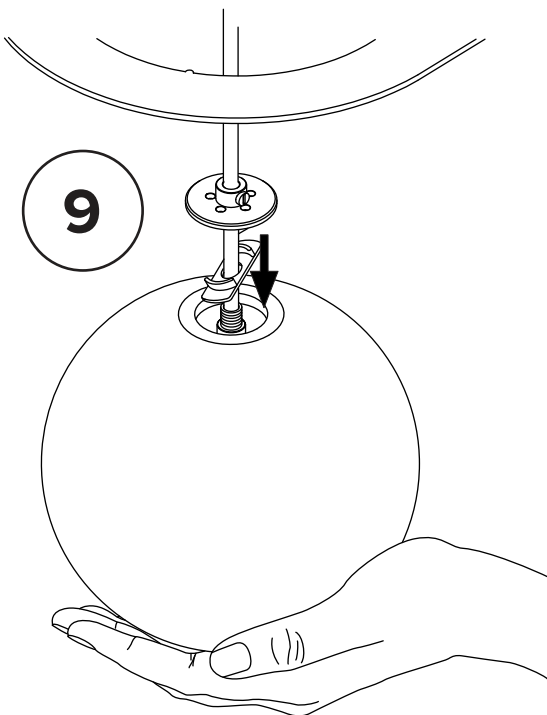


8

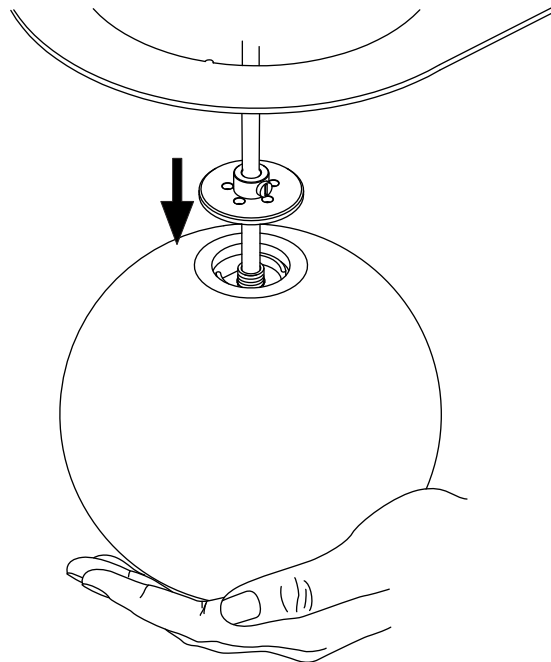


To ensure safety,
**PLEASE FOLLOW THESE STEPS
CAREFULLY**

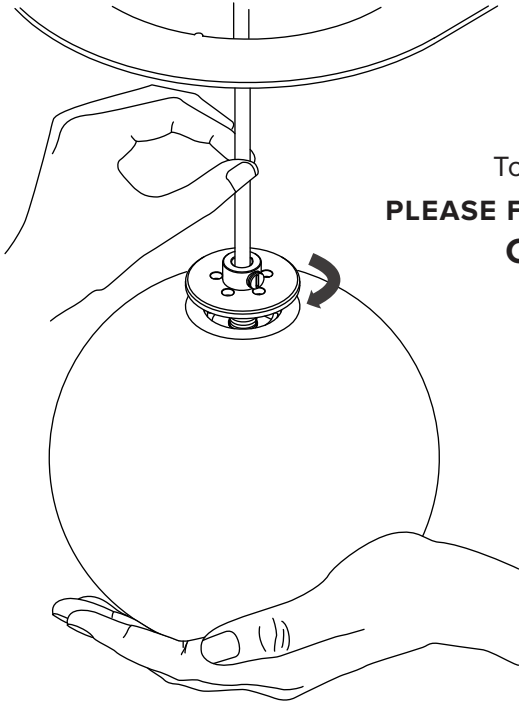
9



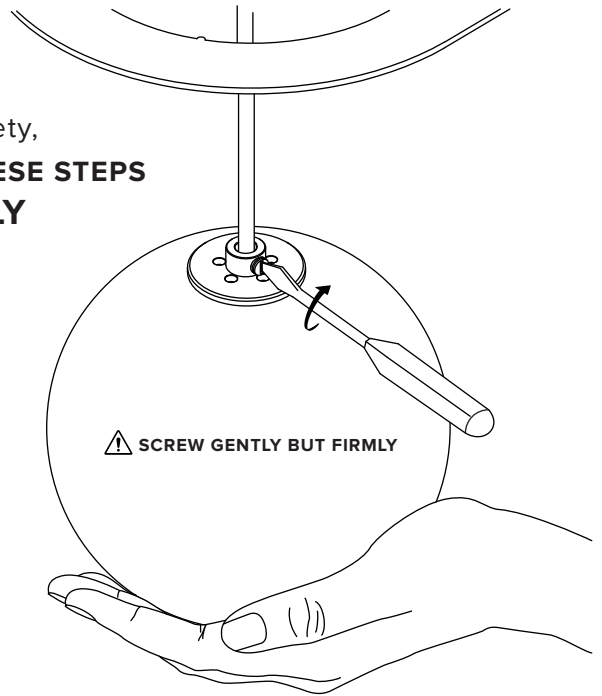
10



11



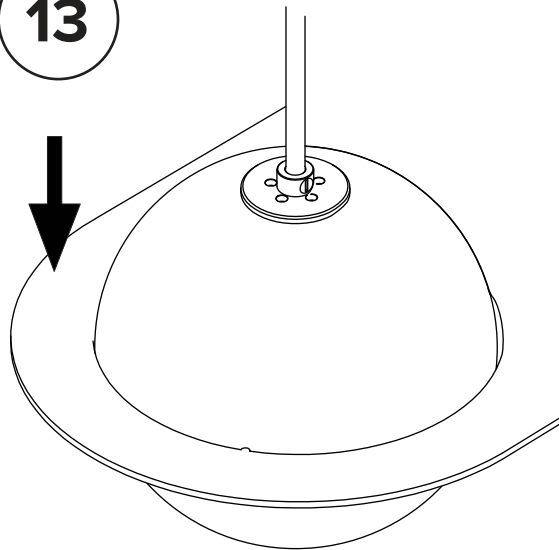
12



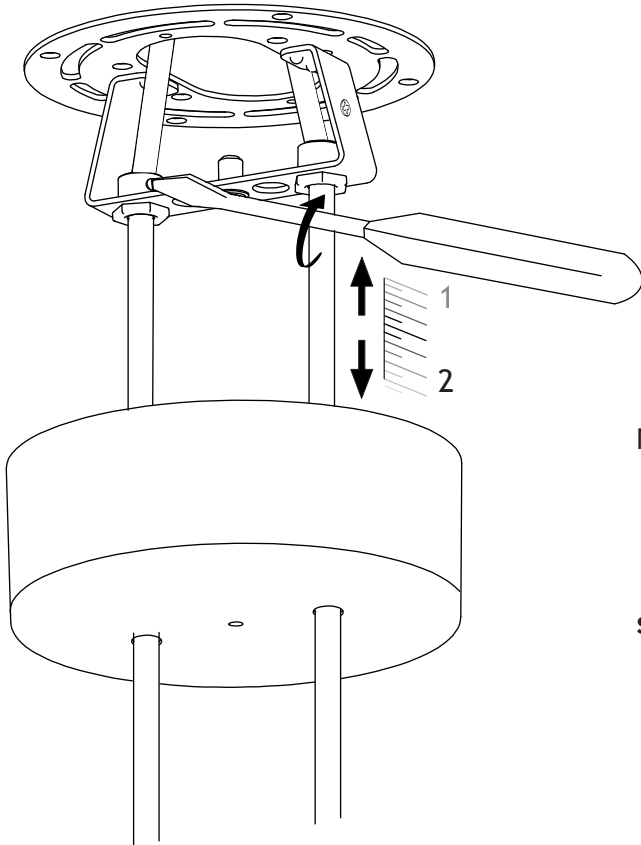
To ensure safety,
**PLEASE FOLLOW THESE STEPS
CAREFULLY**

⚠ SCREW GENTLY BUT FIRMLY

13



14



Make sure the globes are level by micro-adjusting the wire lengths.

SCREW GENTLY BUT FIRMLY

