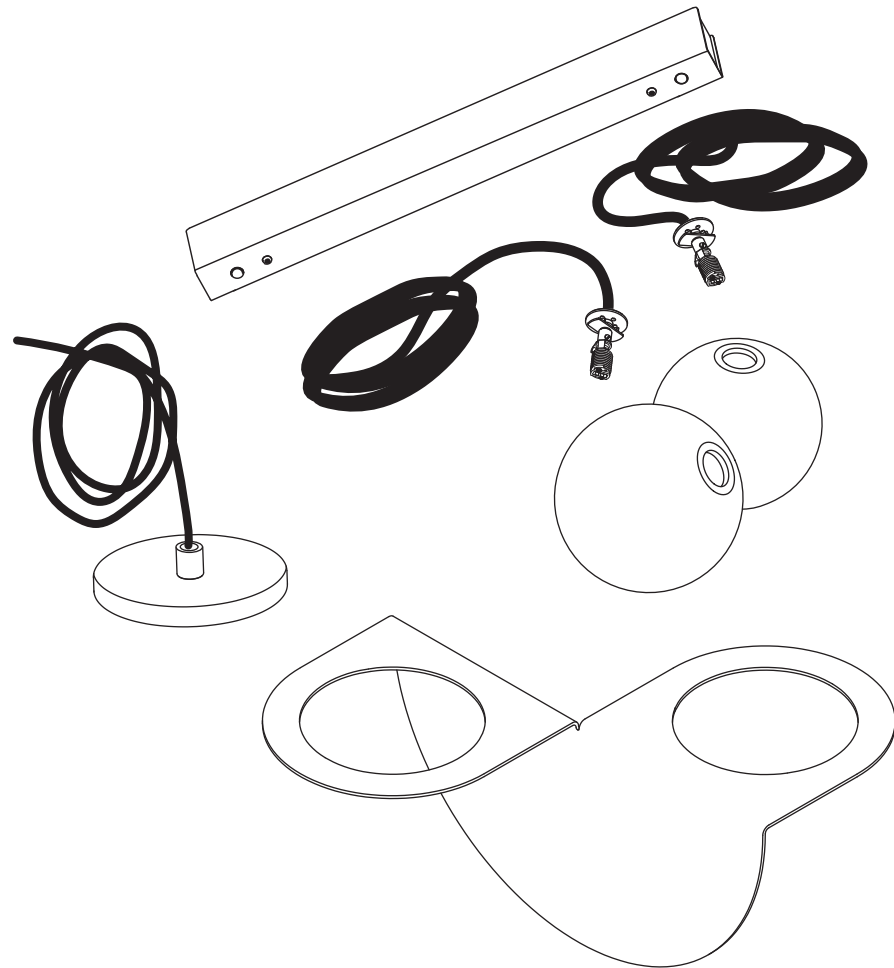


# LAURENT OFFSET PARALLEL CEILING MOUNT

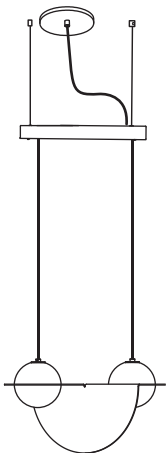


- Please read entire manual before beginning installation
- To be installed by an electrician to an electrical box
- Use appropriate screws and anchors where necessary
- Wear enclosed gloves when handling lamp
- Handle materials with care. Please consult lamp maintenance sheet
- Should be used exclusively as a lamp and not as a shelving, display or hanging unit

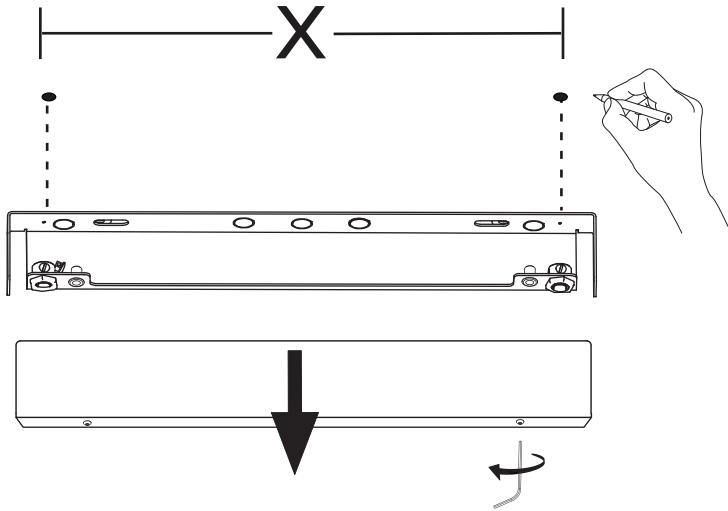


## PLEASE NOTE

THIS IS AN EXAMPLE OF THE LRT 01.  
HOWEVER, ALL MODELS FOLLOW  
THE SAME INSTALLATION PROCEDURE.



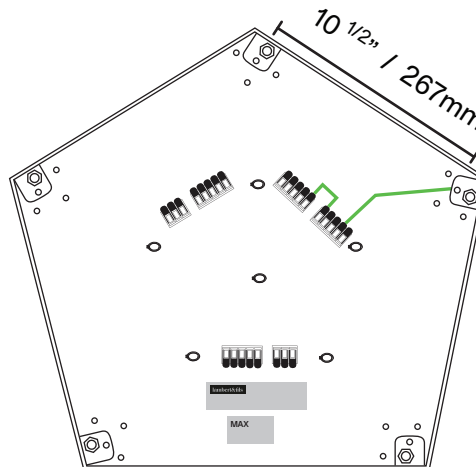
1



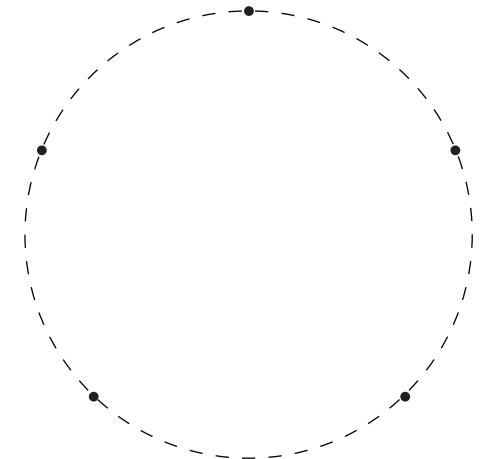
Lower ceiling bracket cover then use the bracket as a guide for your anchor holes. Make sure to use appropriate anchors for ceiling material.

X

LRT 01	11 1/4" / 285mm
LRT 02	27 3/8" / 698mm
LRT 03	11 1/4" / 565mm
LRT 05	7 3/4" / 196mm
LRT 06	15 5/8" / 398mm
LRT 07	24" / 610mm
LRT 09	11 1/4" / 285mm

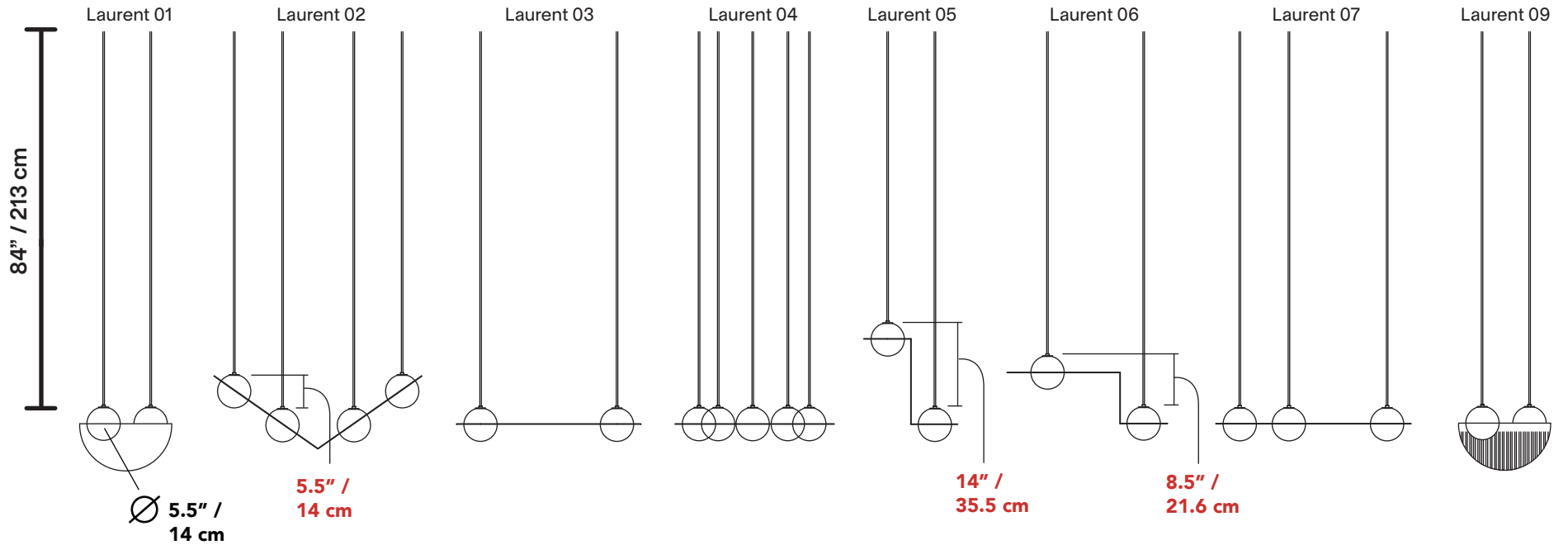


LRT 04 ∅ 15" / 280mm



# IMPORTANT MEASUREMENTS FOR CORRECT INSTALLATION

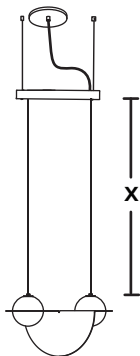
(ALL LAURENTS HAVE SUFFICIENT WIRES TO CONNECT AND INSTALL A MAXIMUM TOTAL CORD LENGTH OF 84" / 213 cm)



2

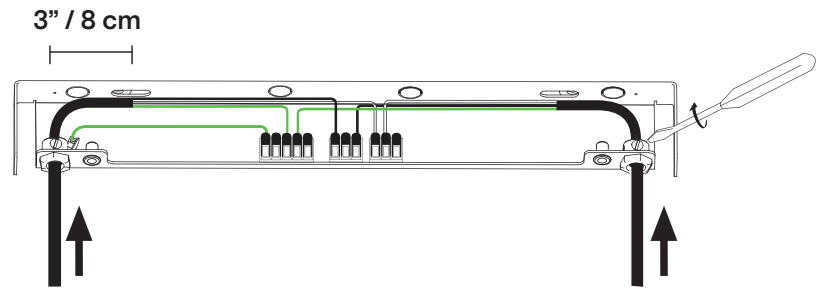
Trim wires to desired length (X). Leave just enough wires inside canopy to reach connectors, add that length to the desired X height.

Leave 3" / 8 cm of sleeved wire after strain relief.

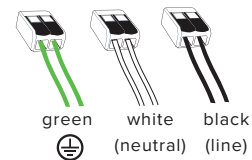


3

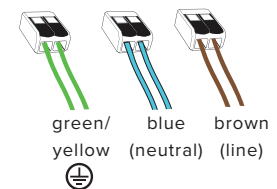
Feed wires through canopy.  
Secure strain relief.  
Make connections from luminaire wires.



FOR 120V WIRING

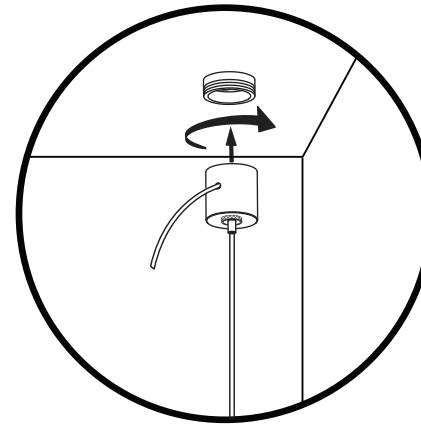
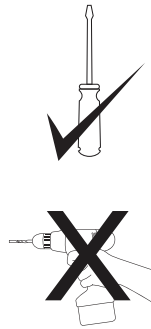
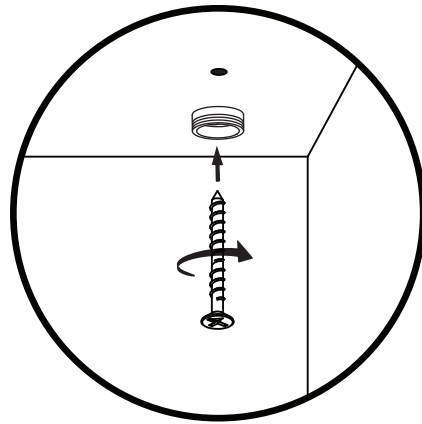


FOR 220V-240V WIRING

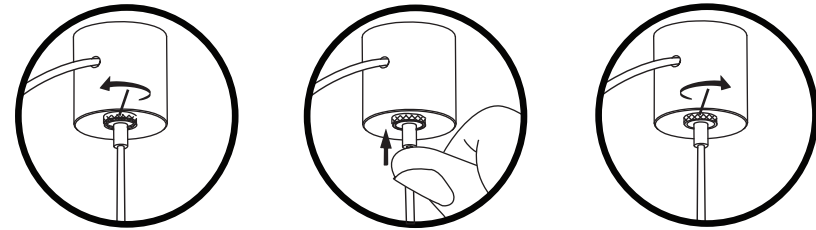
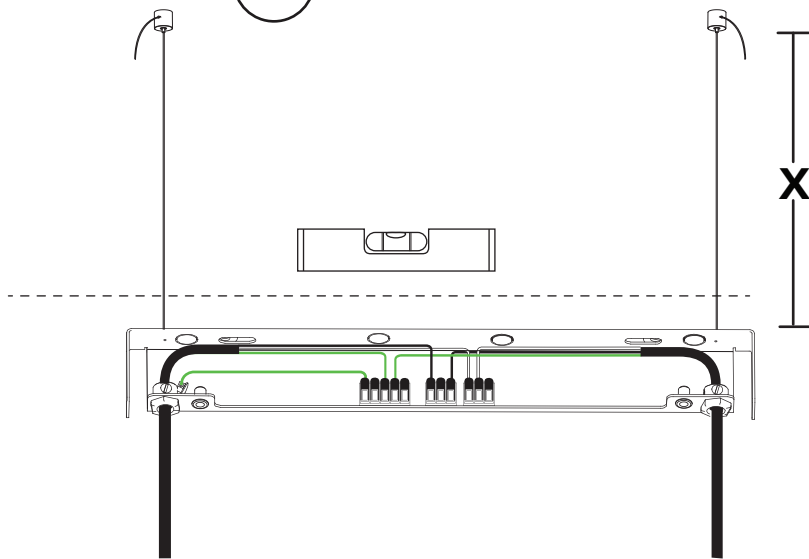


11mm

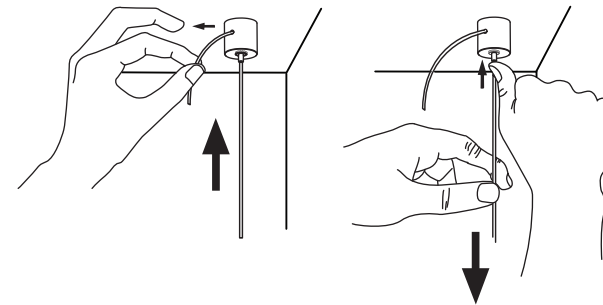
4



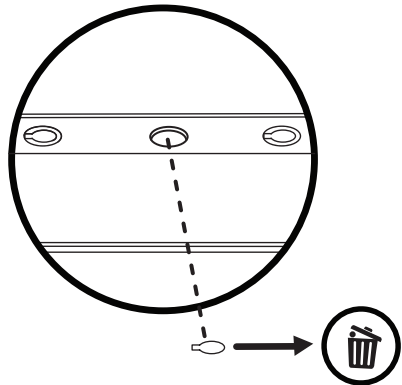
5



Adjust the height of your cable hangers (X) by lowering or raising the aircraft cable. Loosen lock ring, adjust cables, then retighten lock ring.

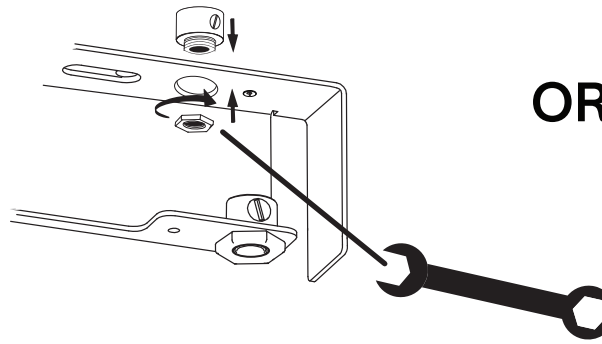


6

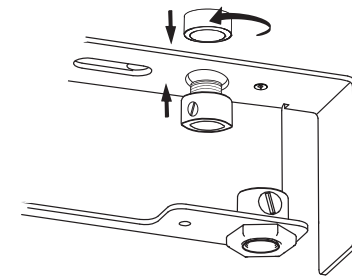


Choose desired knockout depending on electrical box alignment.

7



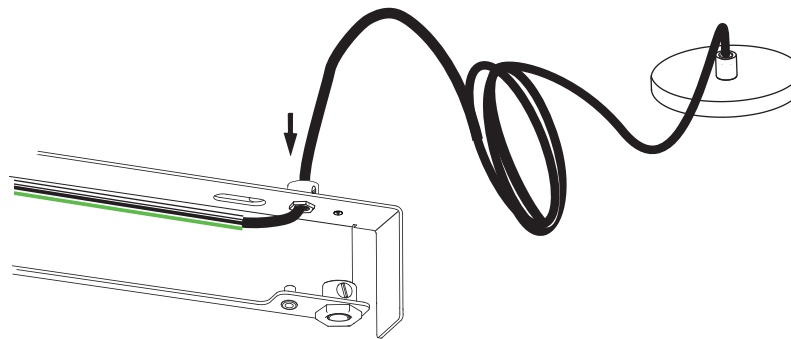
9/16" / 21 mm



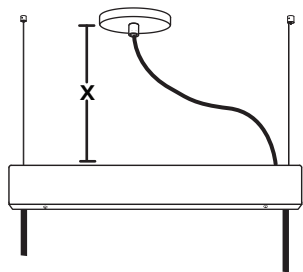
\*for colored hardware

8

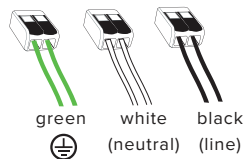
Unsleeve and connect to connectors after you have measured your desired wire length from the ceiling to the canopy (X)



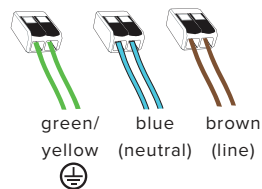
⚠ Leave at least 2" (51mm) of unstripped wire inside canopy.



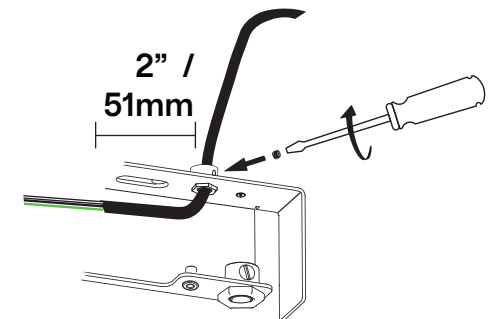
FOR 120V WIRING



FOR 220V-240V WIRING



11mm

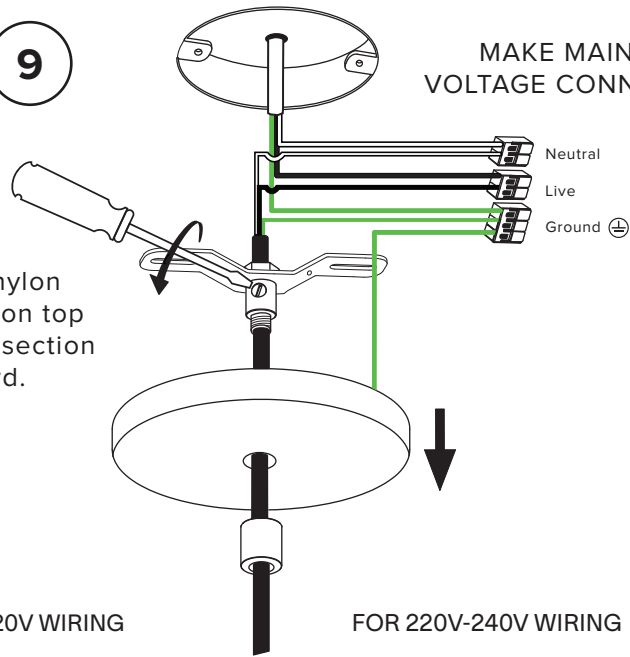


SCREW GENTLY BUT FIRMLY

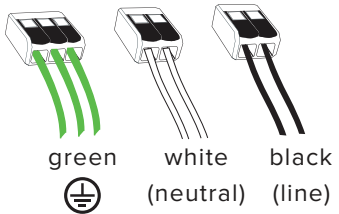
9

MAKE MAIN/LINE VOLTAGE CONNECTIONS

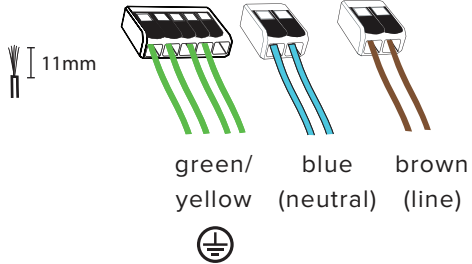
Tighten nylon set screw on top of sleeved section of cord.



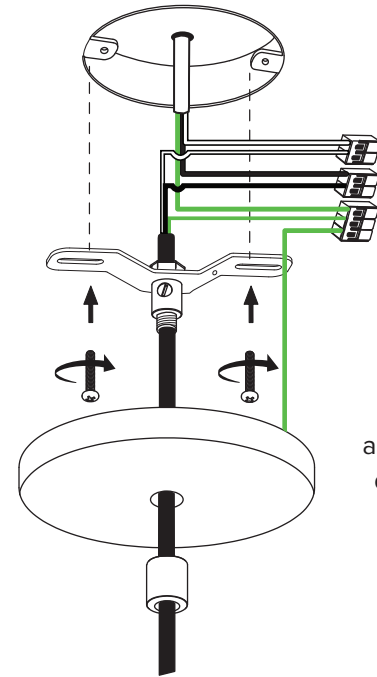
FOR 120V WIRING



FOR 220V-240V WIRING

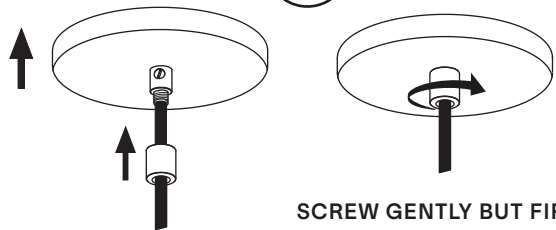


10



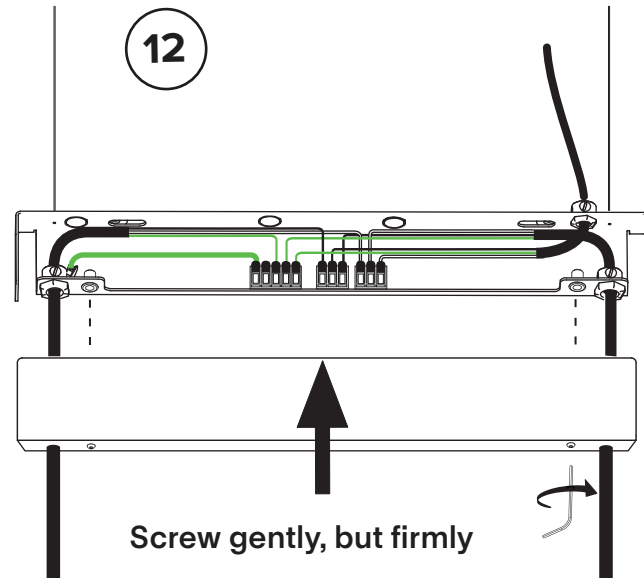
Ensure no wires are clipped or pinched during this operation.

11

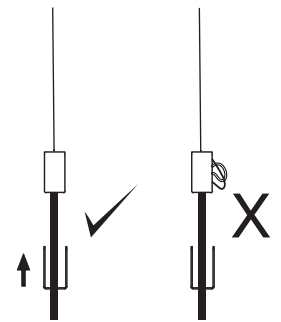


SCREW GENTLY BUT FIRMLY

12

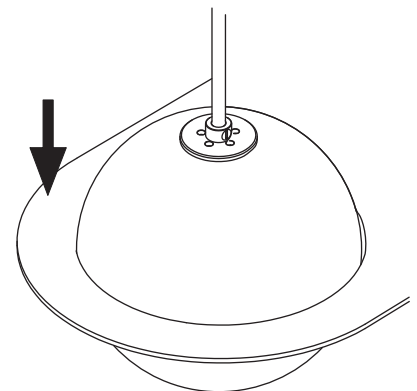
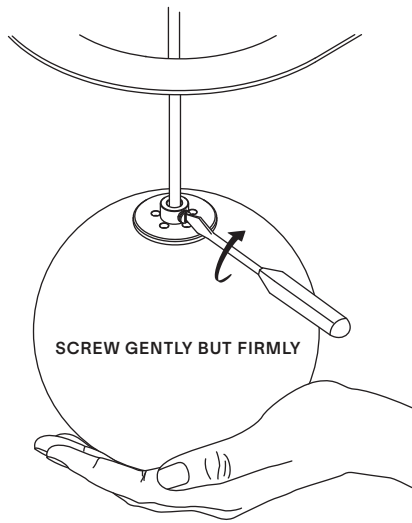
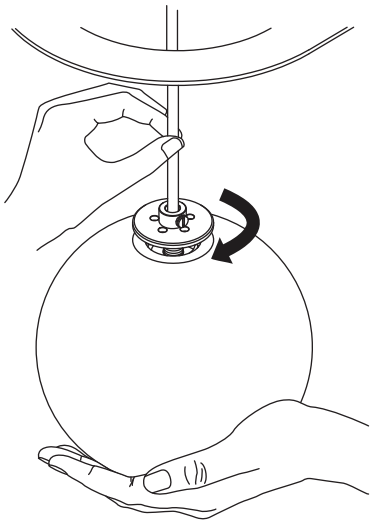
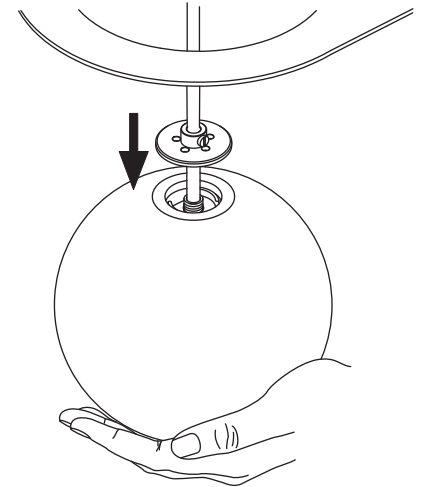
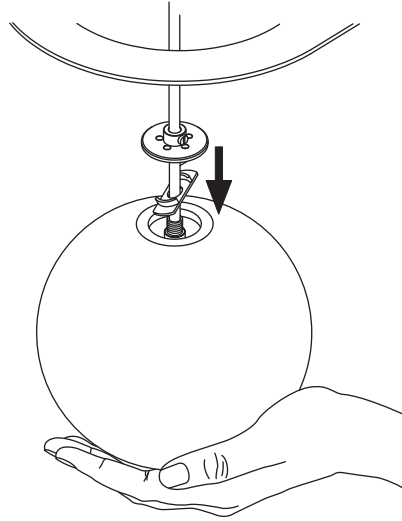
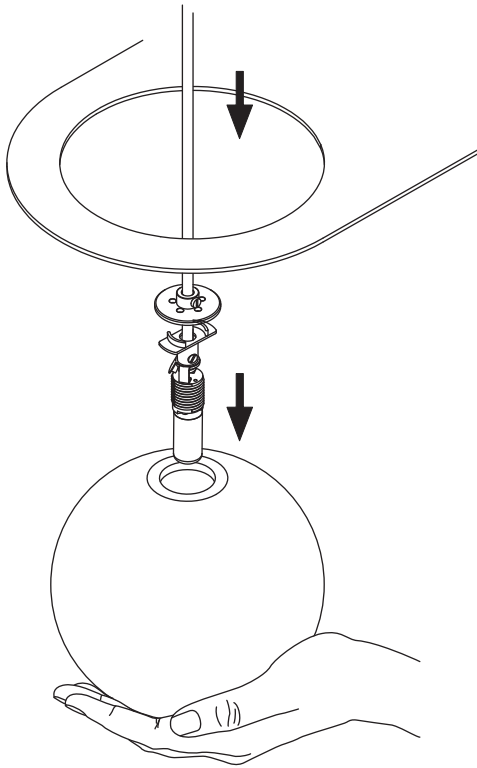
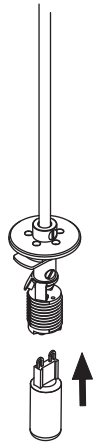


Screw gently, but firmly

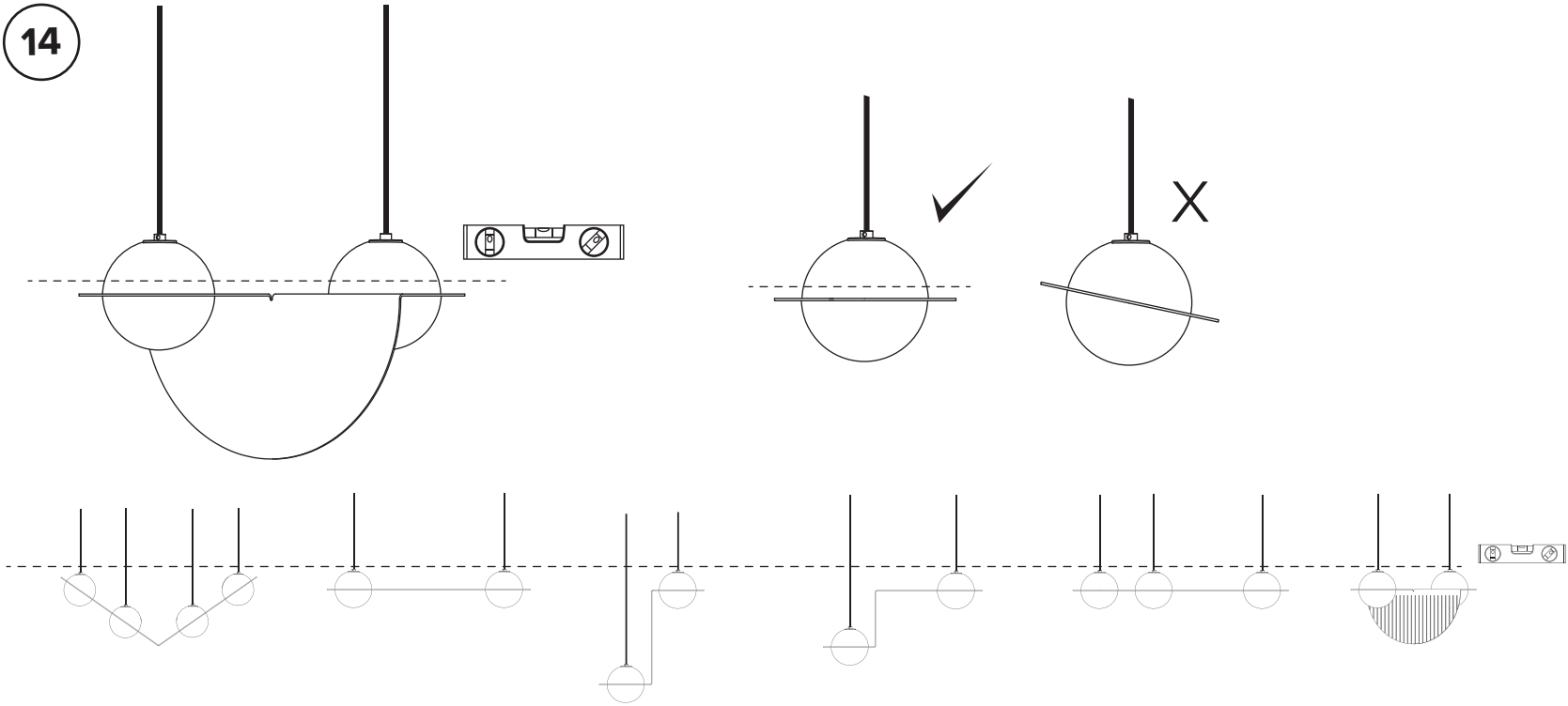


Ensure no wires are clipped or pinched during this operation.

13



14



If necessary make micro adjustments inside the canopy.

**SCREW GENTLY BUT FIRMLY**

