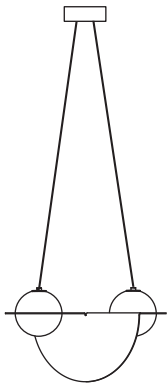
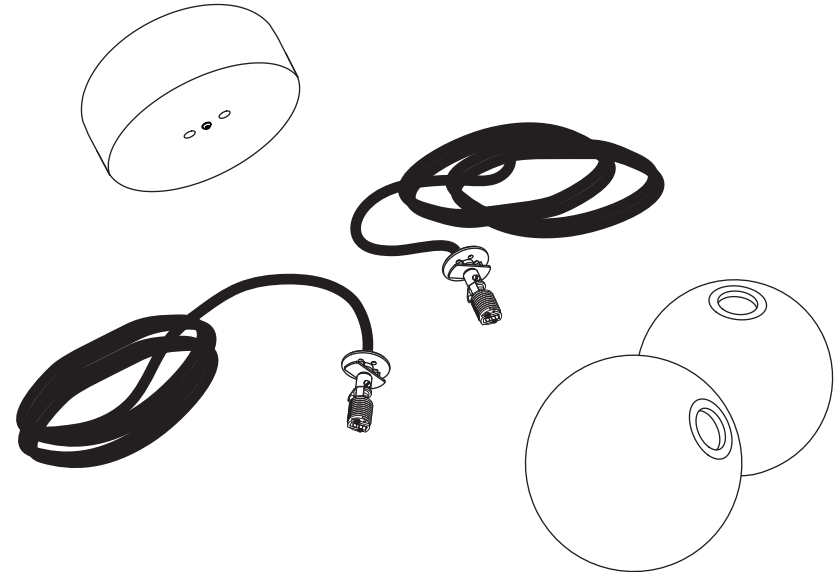


LAURENT ANGLED WIRES

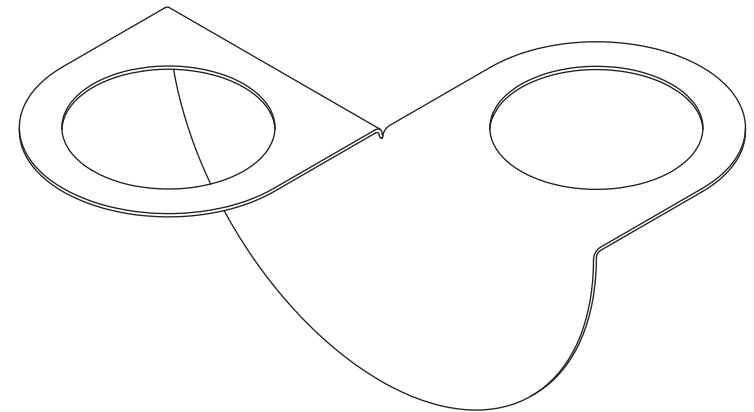


- Please read entire manual before beginning installation
- To be installed by an electrician to an electrical box
- Use appropriate screws and anchors where necessary
- Wear enclosed gloves when handling lamp
- Handle materials with care. Please consult lamp maintenance sheet
- Should be used exclusively as a lamp and not as a shelving, display or hanging unit



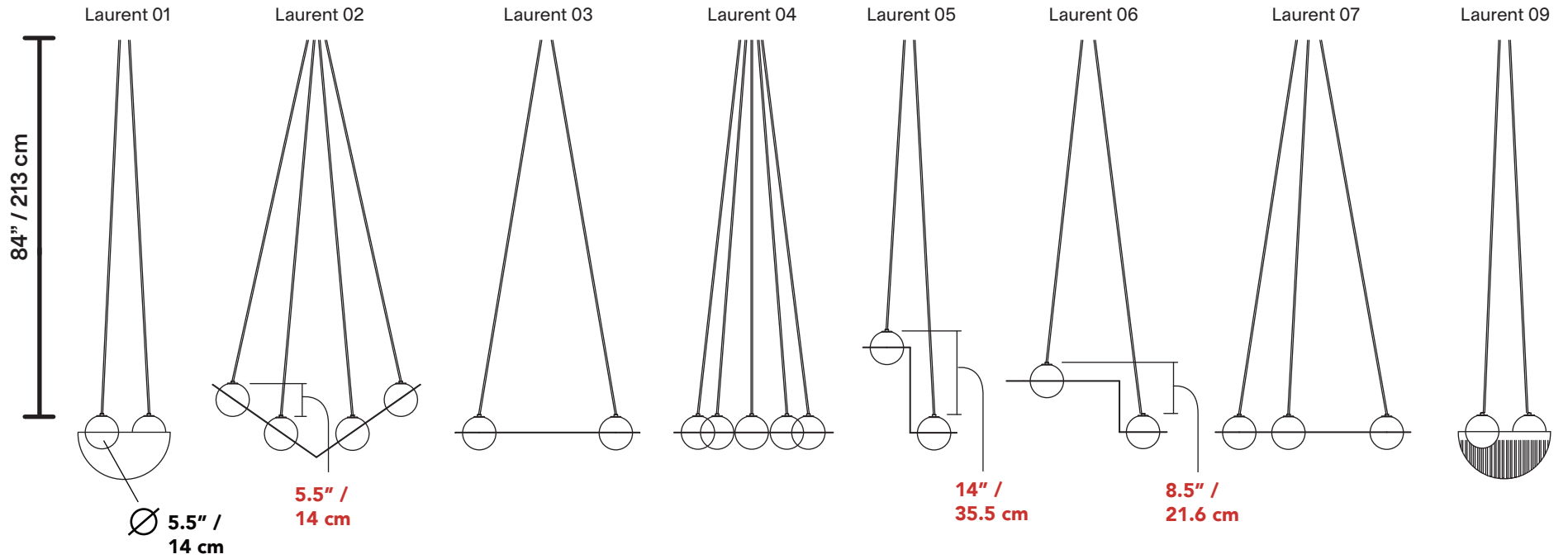
PLEASE NOTE

THIS IS AN EXAMPLE OF THE LRT 01.
HOWEVER, ALL MODELS FOLLOW
THE SAME INSTALLATION PROCEDURE.

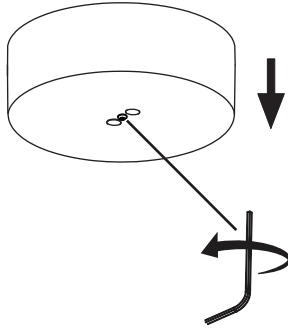


IMPORTANT MEASUREMENTS FOR CORRECT INSTALLATION

(ALL LAURENTS HAVE SUFFICIENT WIRES TO CONNECT AND INSTALL A MAXIMUM TOTAL CORD LENGTH OF 84" / 213 CM)

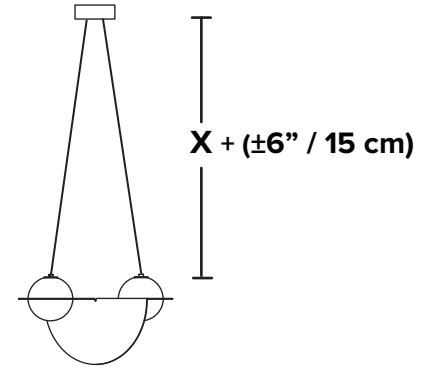


1



2

Chose desired height (X) and mark it.
 Leave enough wires inside canopy
 to reach connectors (± 6 / 15cm).



3

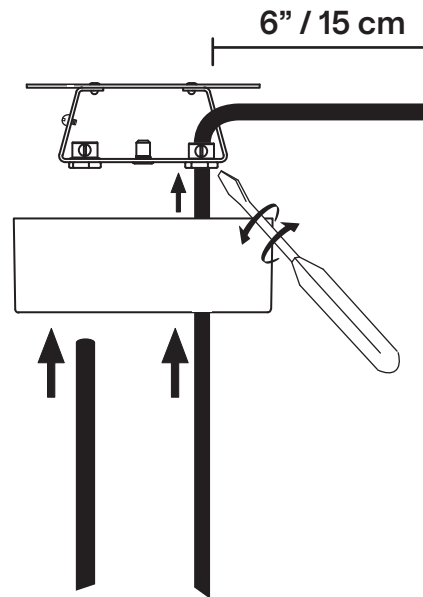
Feed wires through canopy and into bracket.

Do not trim wires until passing them through
 canopy and bracket.

Leave ± 6 " / 15 cm of wire after strain relief
 to make connections. Leave 2" / 5cm of sleeved
 wire after strain relief.

See previous page for cord lengths.

Secure strain relief.



4

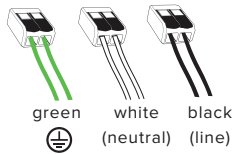
Make connection.

We recommend making your connection within the electrical box, however you may also make your connections within your canopy.

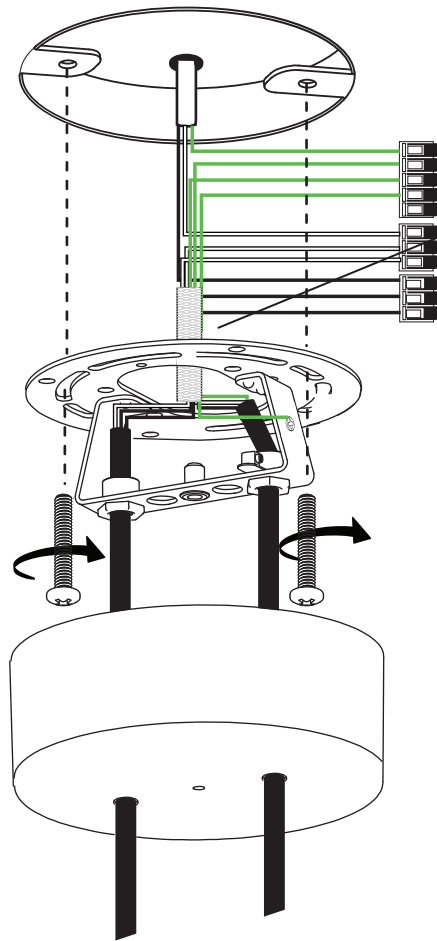
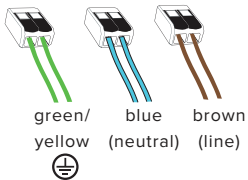
Secure bracket.
Screws not provided.
Use appropriate anchors where necessary



FOR 120V WIRING

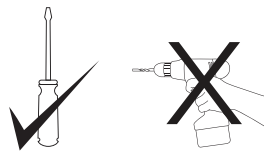
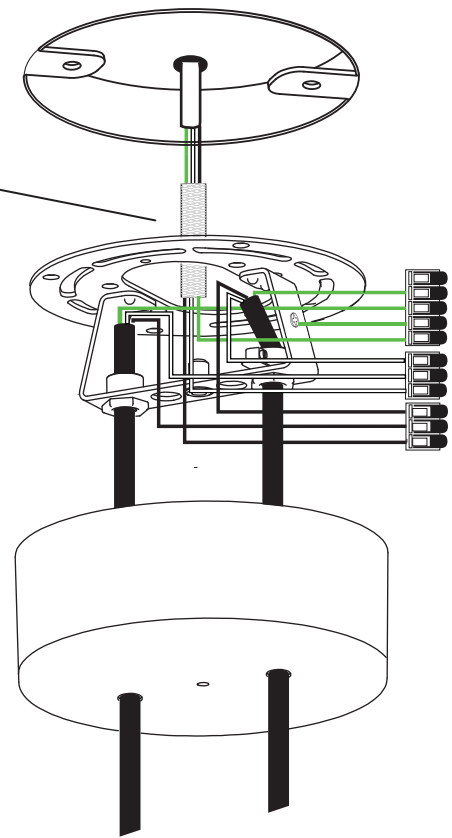


FOR 220V-240V WIRING



Insert provided fiberglass sleeve before making connection.

OR

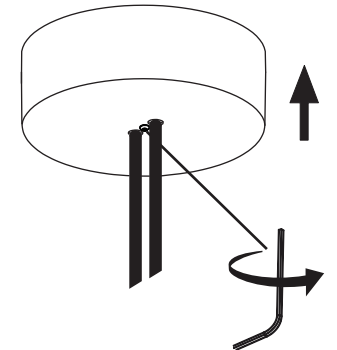


Avoid scuffing wires during this operation.

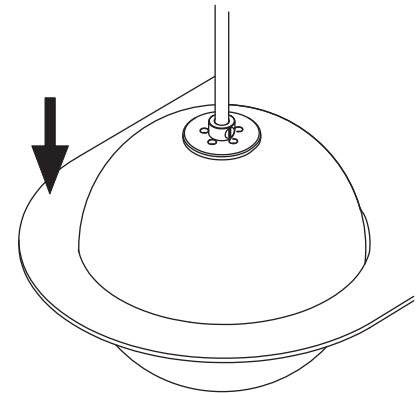
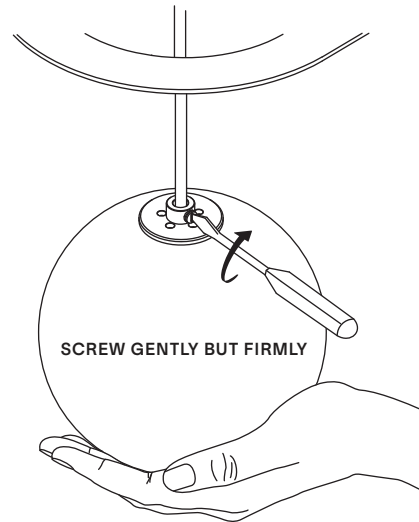
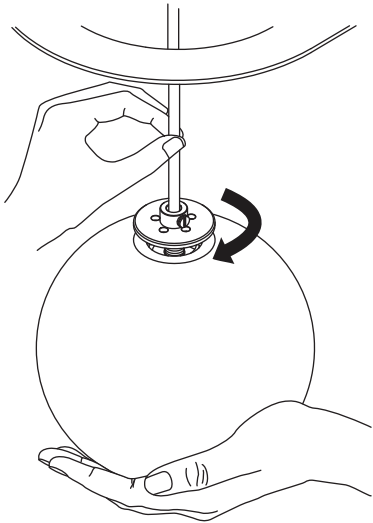
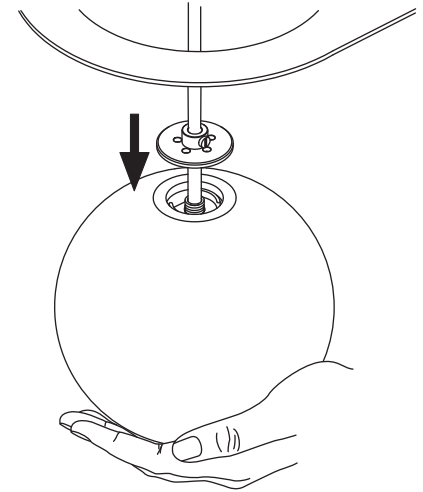
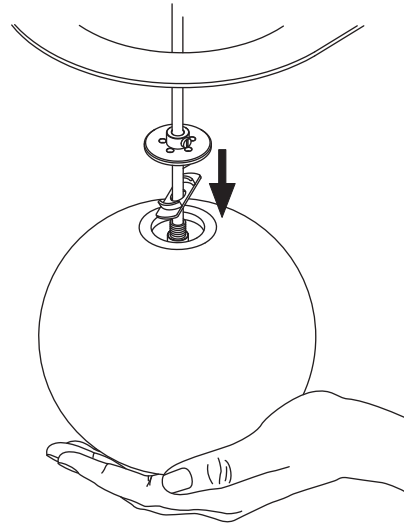
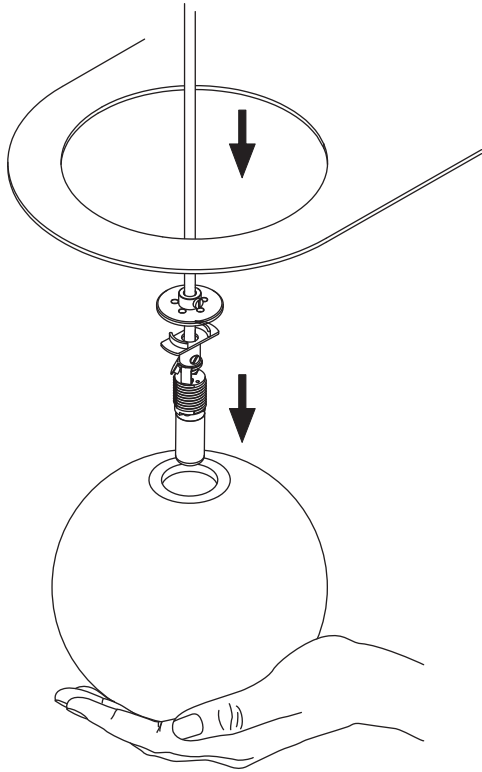
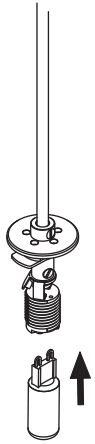
5

Ensure no wires are clipped or pinched during this operation.

Screw gently, but firmly.



6



7

Make sure the globes are level by micro-adjusting the wire lengths.

SCREW GENTLY BUT FIRMLY

