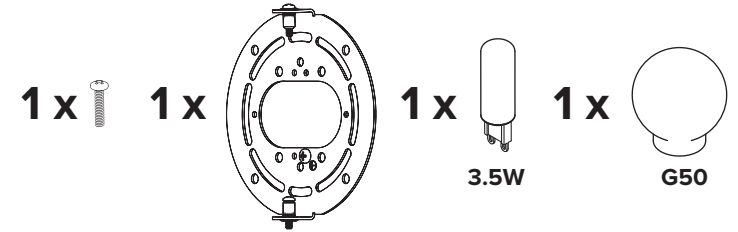
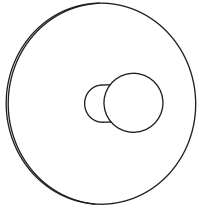
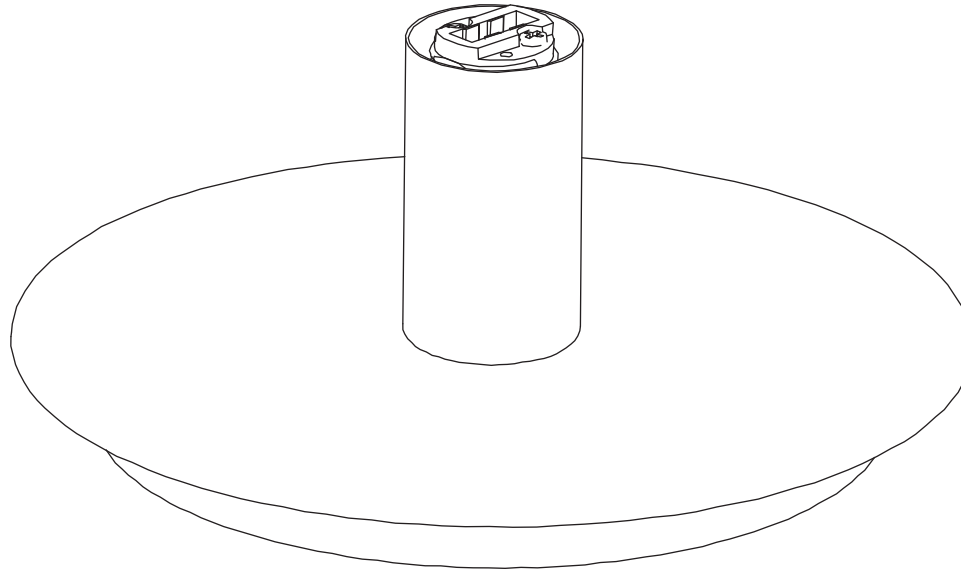


DOT WALL HARDWARE

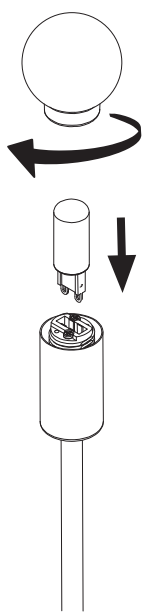


- To be installed by an electrician to an electrical box
- Use appropriate screws and anchors where necessary
- Wear enclosed gloves when handling lamp
- Handle materials with care. Please consult lamp maintenance sheet on our web site
- Wall mount only

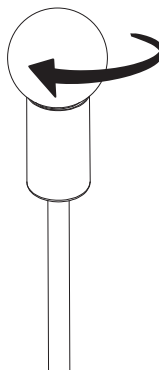




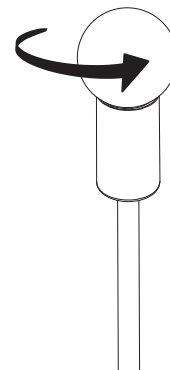
Important steps to follow when installing a glass globe



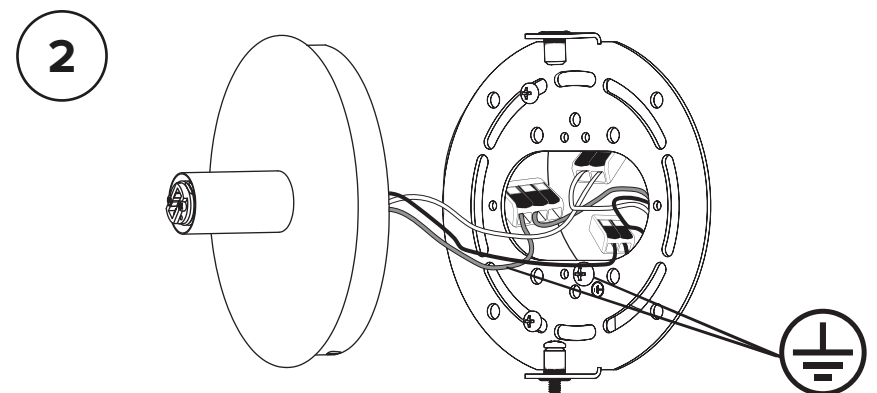
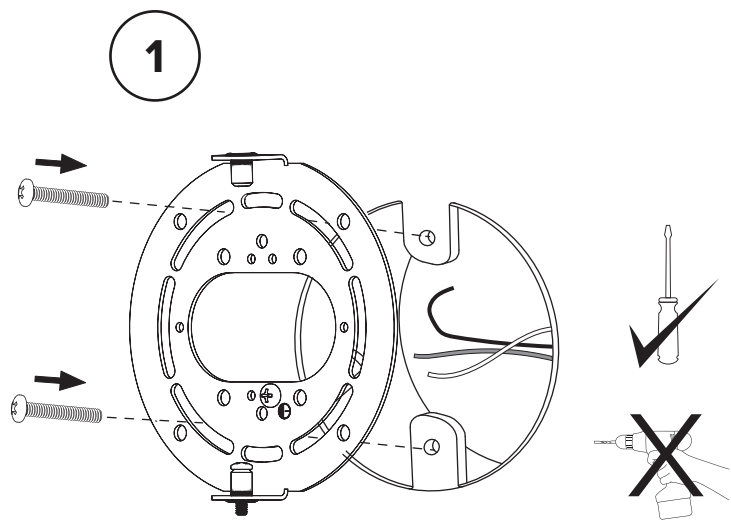
Insert bulb.



Screw in globe gently until it is tight.
Do not force the globe.



Unscrew bulb slightly 1/2 turn.



Make connection



If your electrical box is not grounded, use ground screw and connect to wago.

for 120 V wiring

