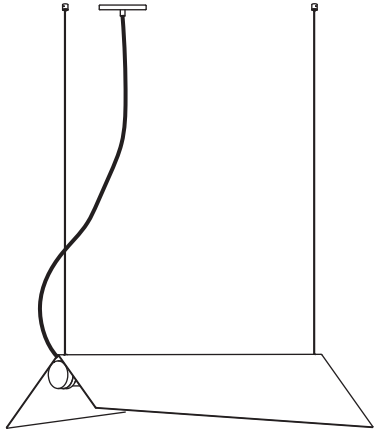


# CLARK SUSPENSION

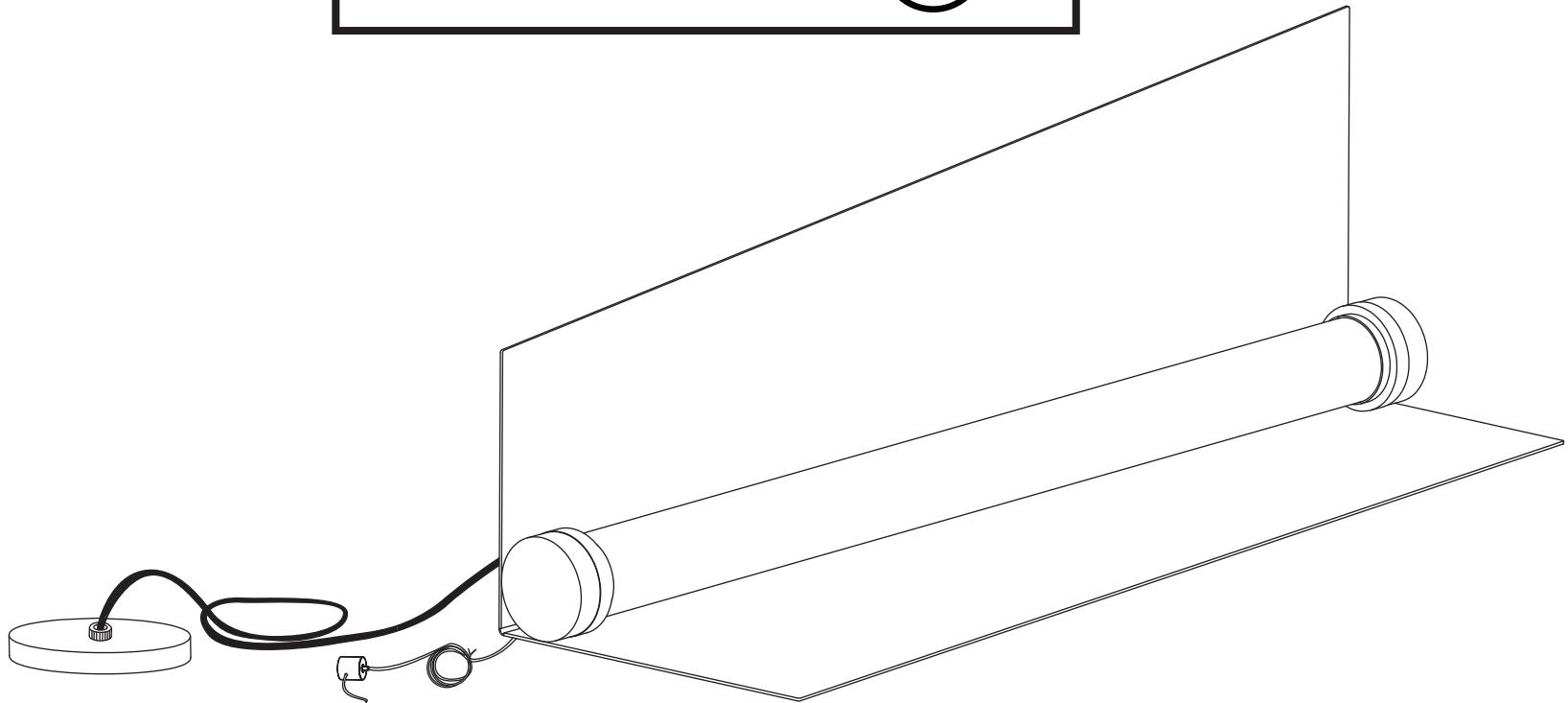


1 x  2 x 



- To be installed by an electrician to an electrical box
- Use appropriate screws and anchors where necessary
- Wear enclosed gloves when handling lamp
- Handle materials with care. Please consult lamp maintenance sheet on our web site

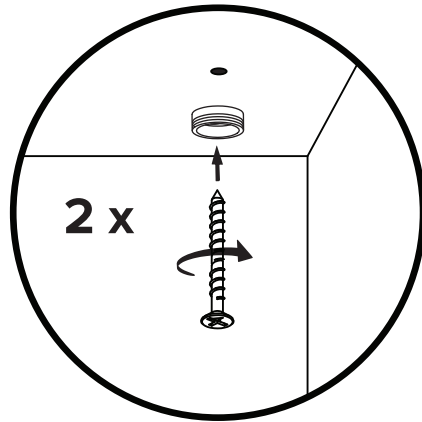
lamp weight 30 lbs / 13 kg



45 <sup>3</sup>/<sub>4</sub> "  
1162 mm

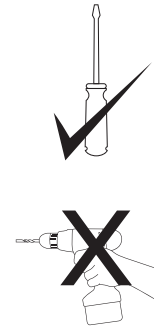


1

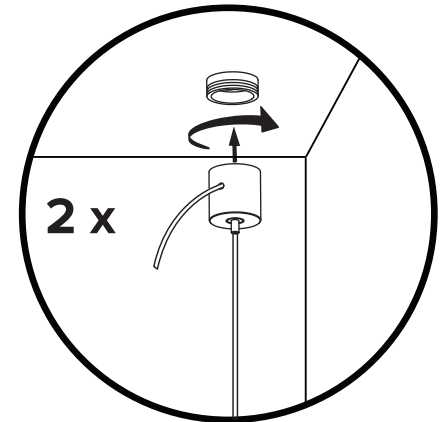


\* Use appropriate anchors

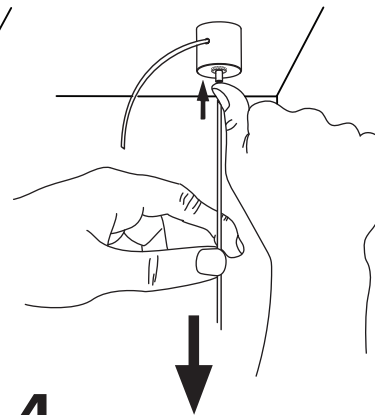
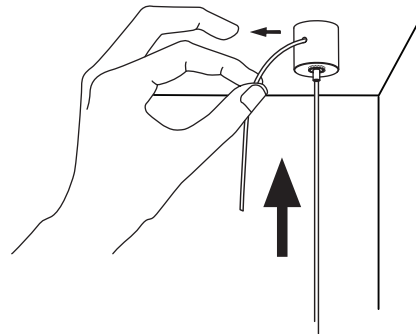
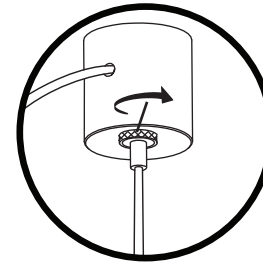
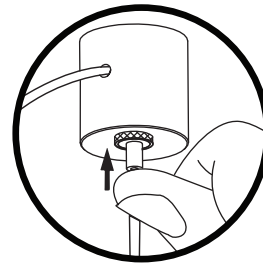
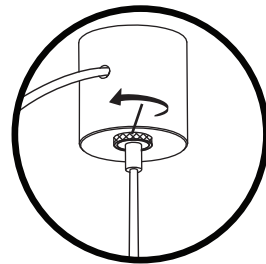
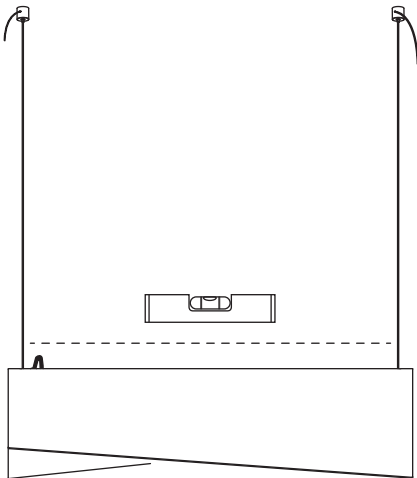
2



Each anchor must be able to support  
75 lbs / 34 kg



3



4

