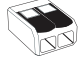
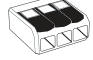


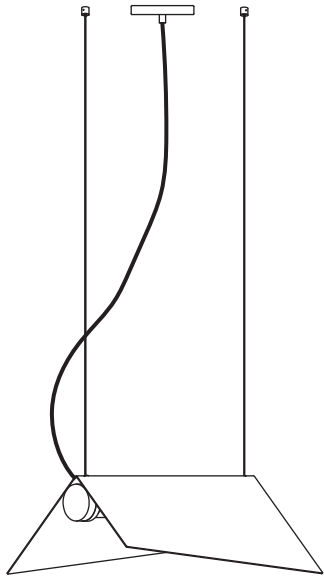



CLARK SUSPENSION


2 x  1 x  1 x  2 x 

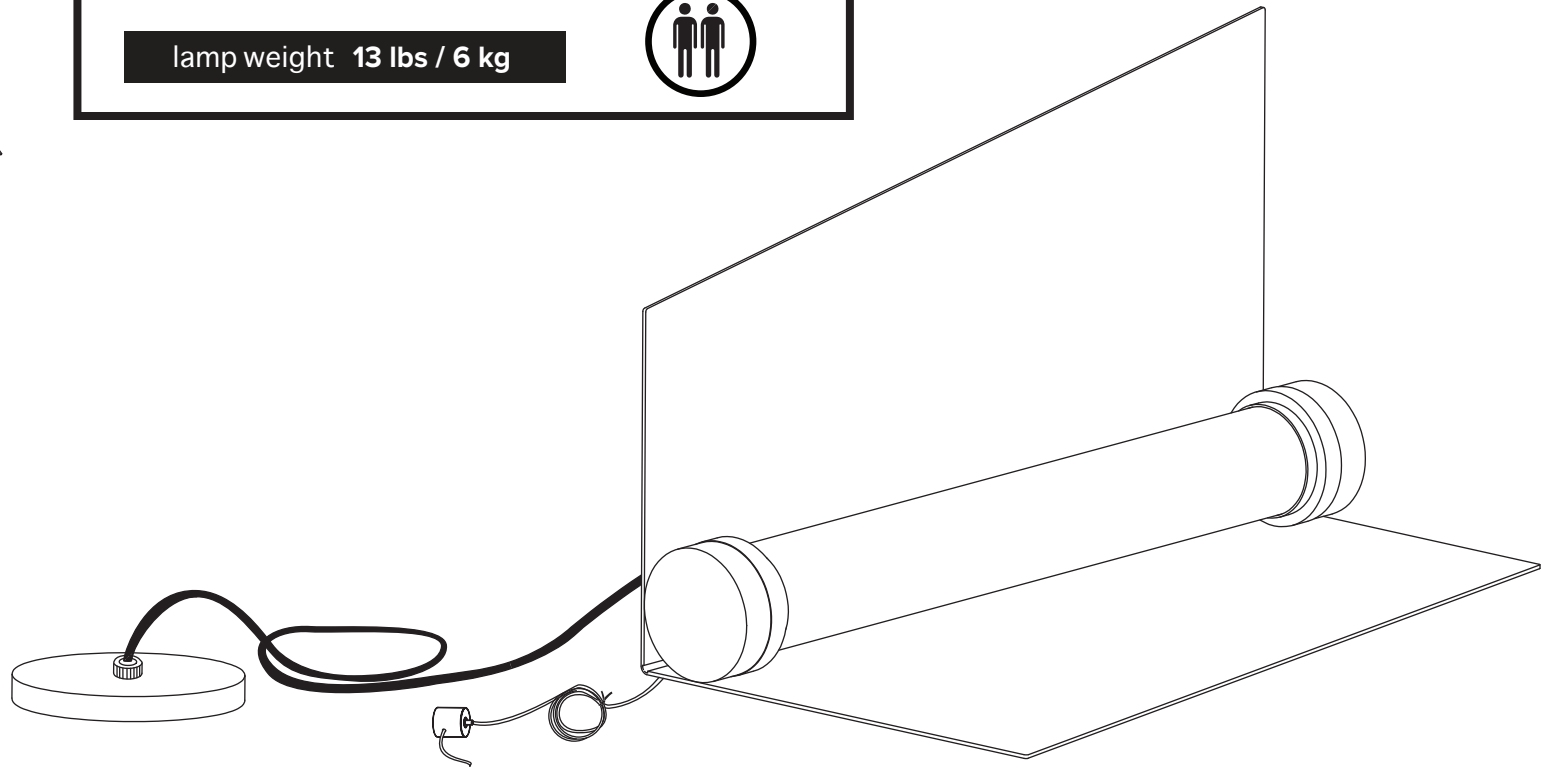


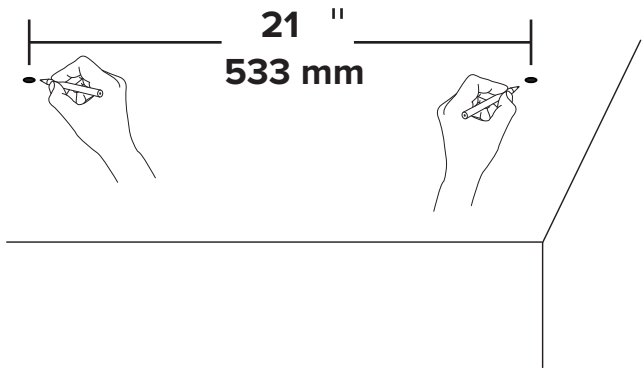


- To be installed by an electrician to an electrical box
- Use appropriate screws and anchors where necessary
- Wear enclosed gloves when handling lamp
- Handle materials with care. Please consult lamp maintenance sheet on our web site

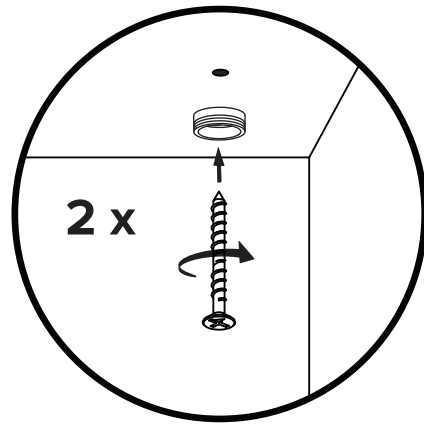
lamp weight 13 lbs / 6 kg





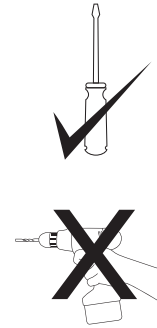


1

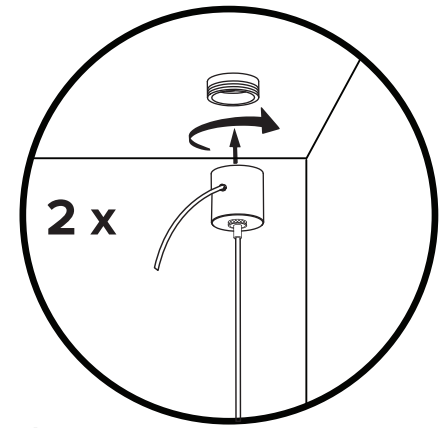


* Use appropriate anchors

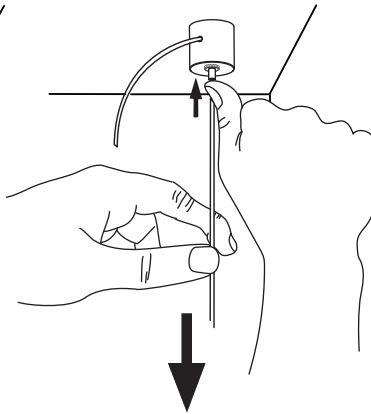
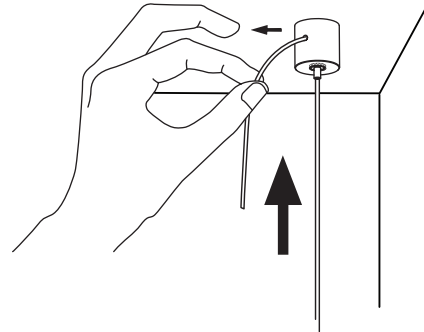
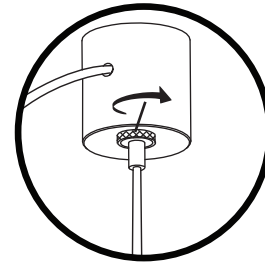
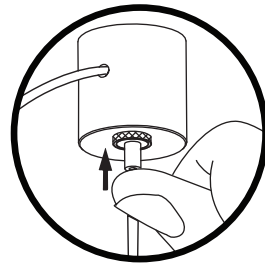
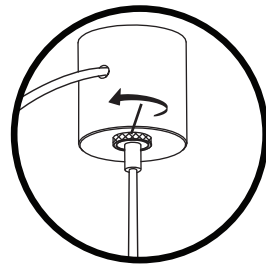
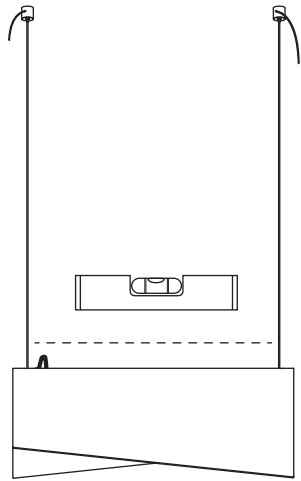
2



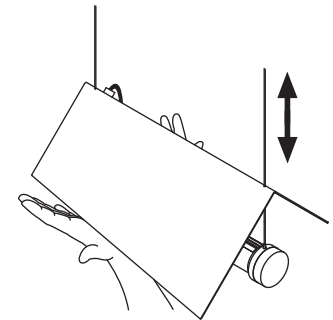
Each anchor must be able to support
32.5 lbs / 15 kg

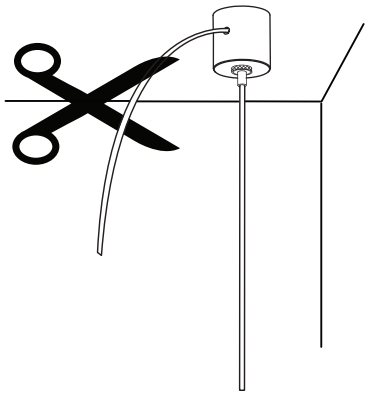


3

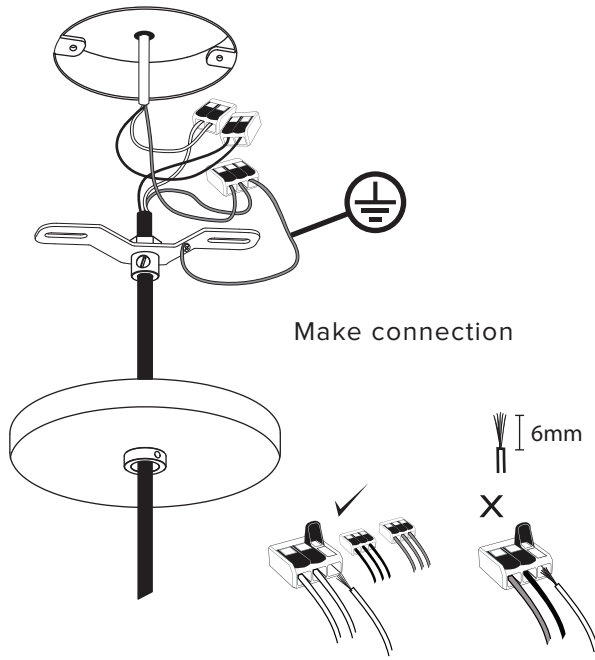


4

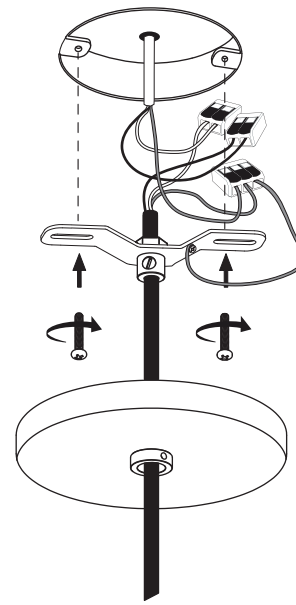




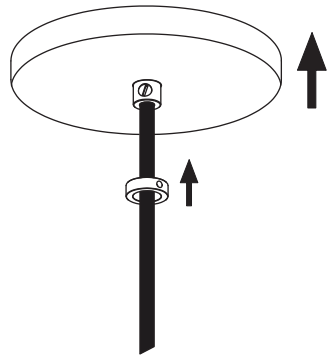
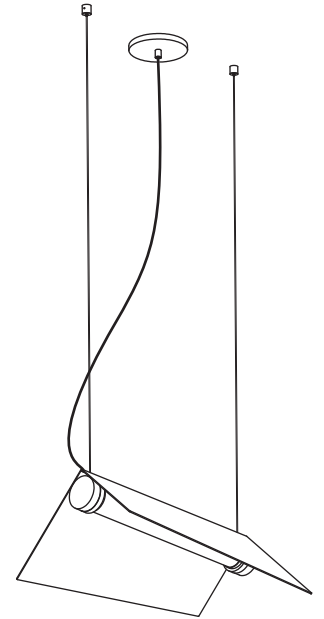
5



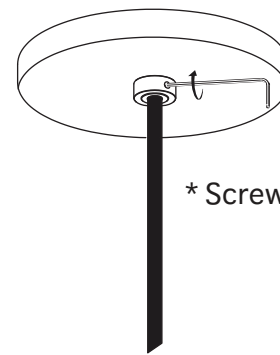
6



7



8



9

* Screw gently, but firmly