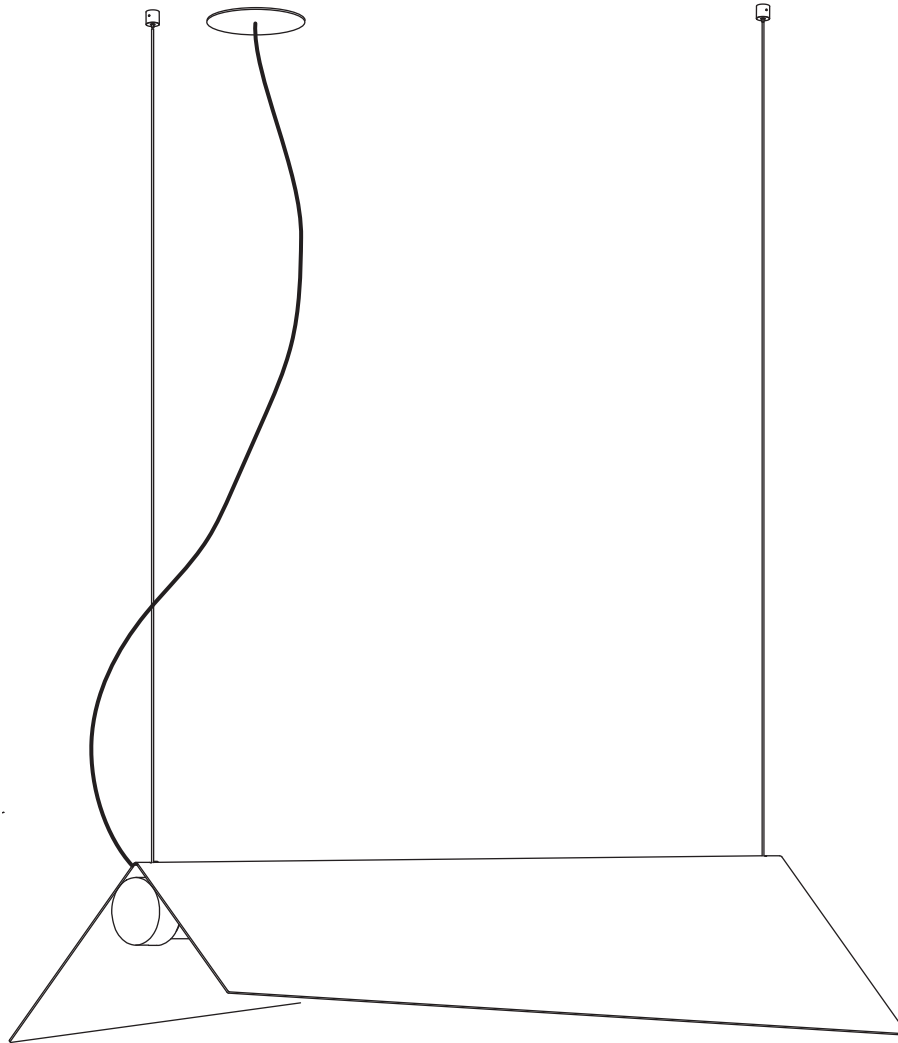


---

## CLARK SUSPENSION 220-240V

---

Recessed canopy  
Plenum (non insulated) or remote installation



- Please read entire manual before beginning installation
- To be installed by an electrician
- Use appropriate screws and anchors where necessary
- Wear enclosed gloves when handling lamp
- Handle materials with care. Please consult lamp maintenance sheet on our web site

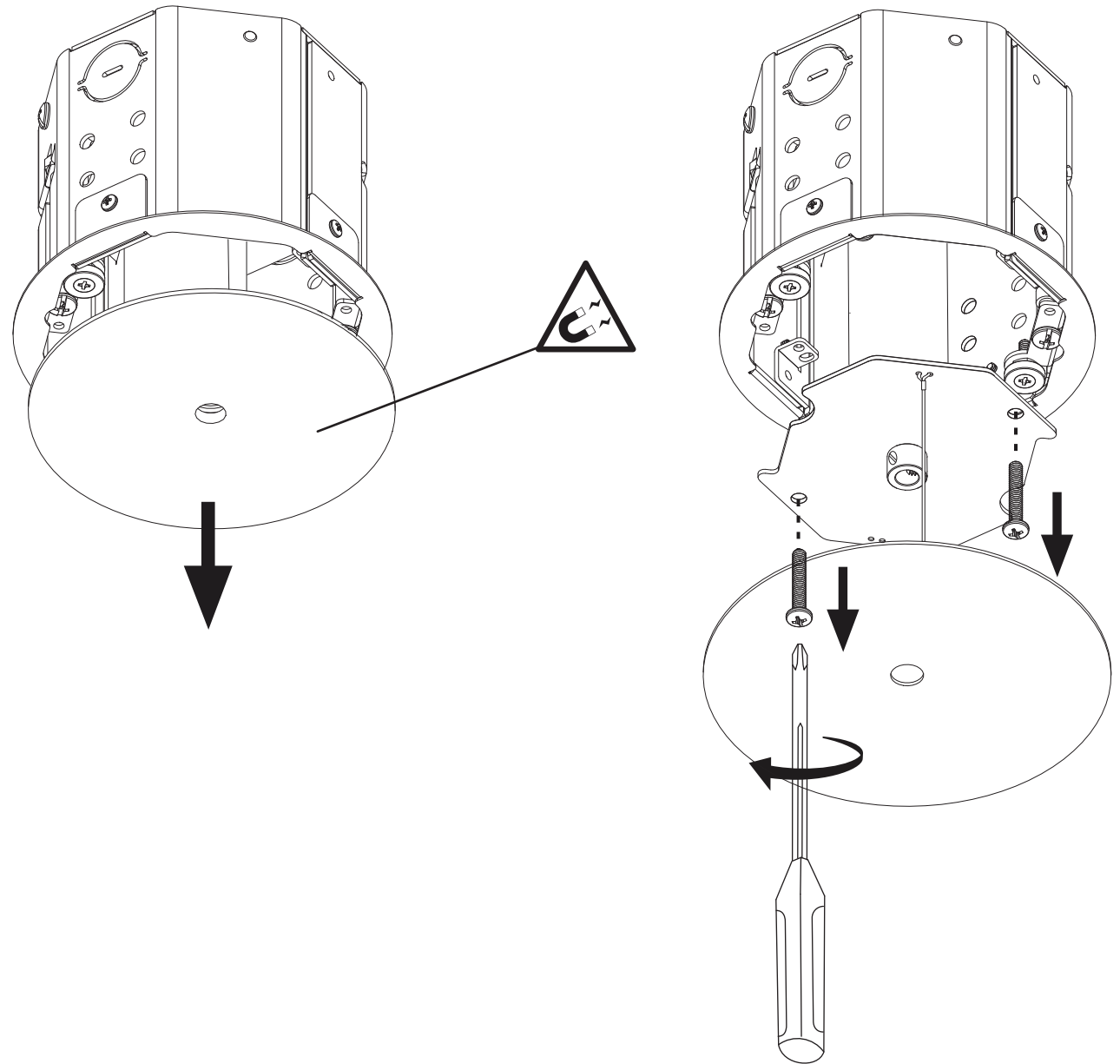


**Never turn on power supply  
until installation is completed**

1

Remove Octobox cover plate and strain relief plate. It is held in place by two screws.

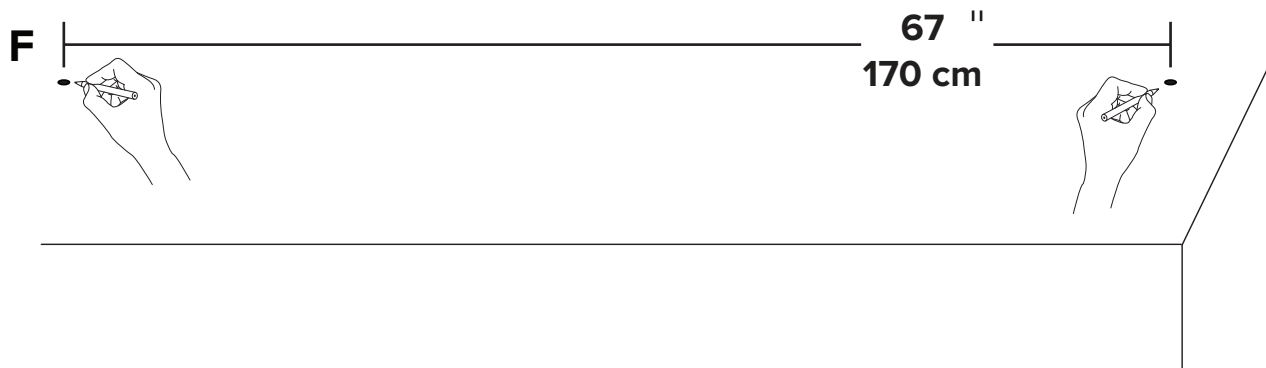
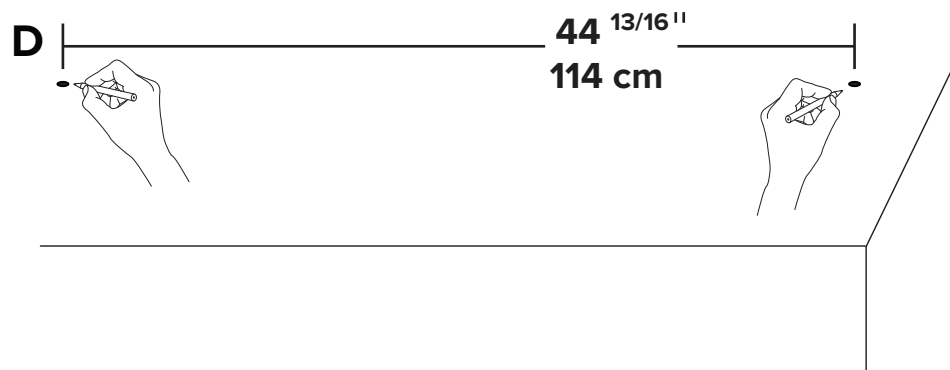
Refer to:  
Annex (independent driver) - page 8

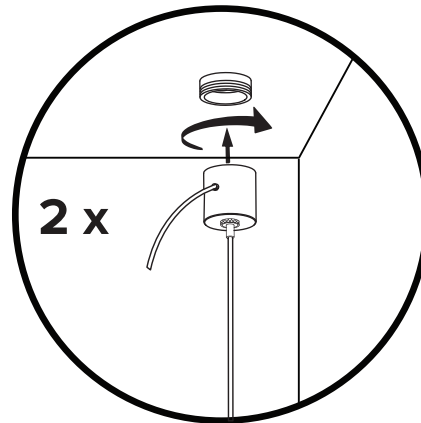
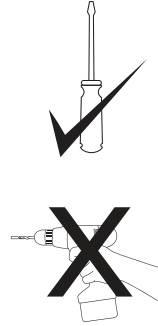
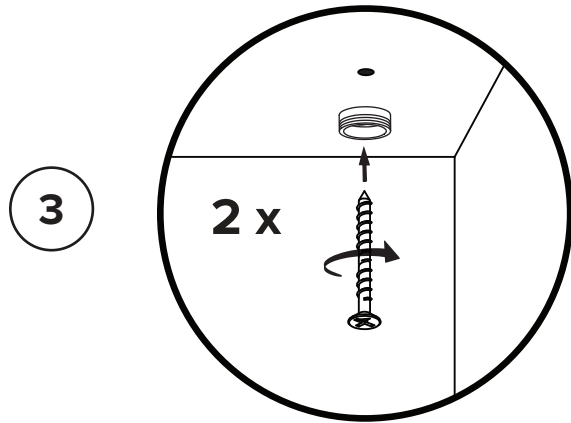


## INSTALL AND ADJUST AIRCRAFT CABLES

2

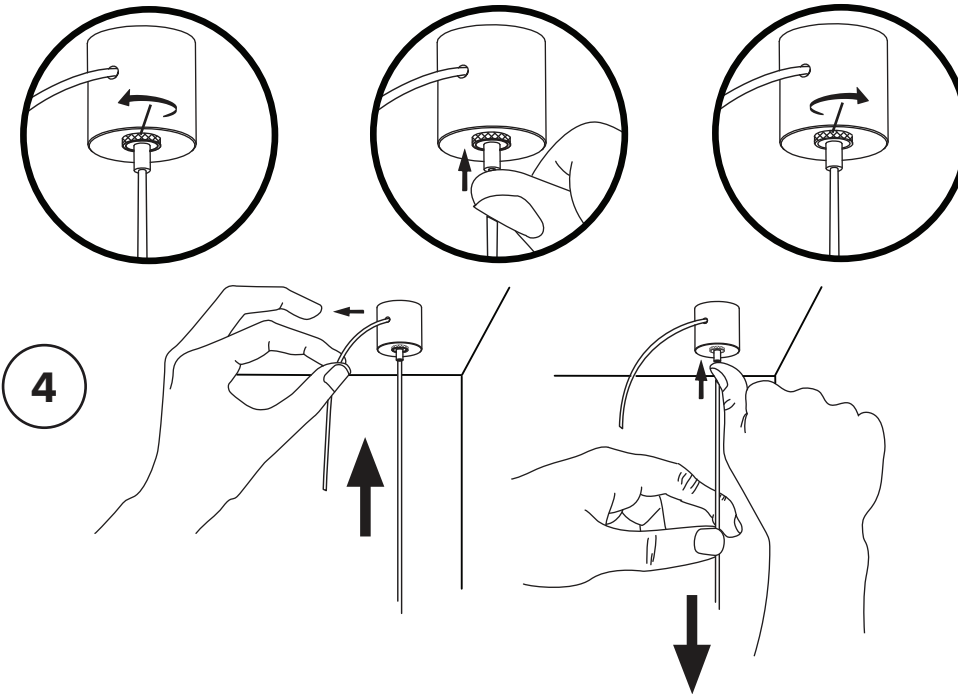
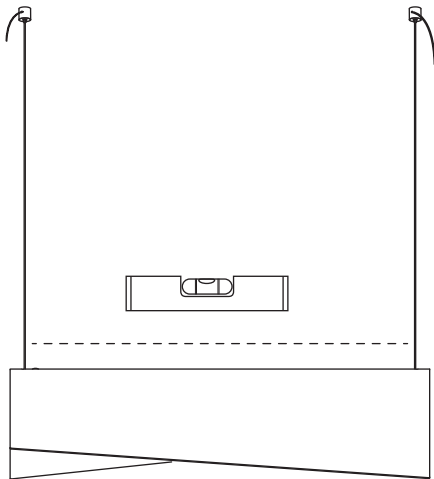
Mark your anchor  
points on the ceiling  
according to your model



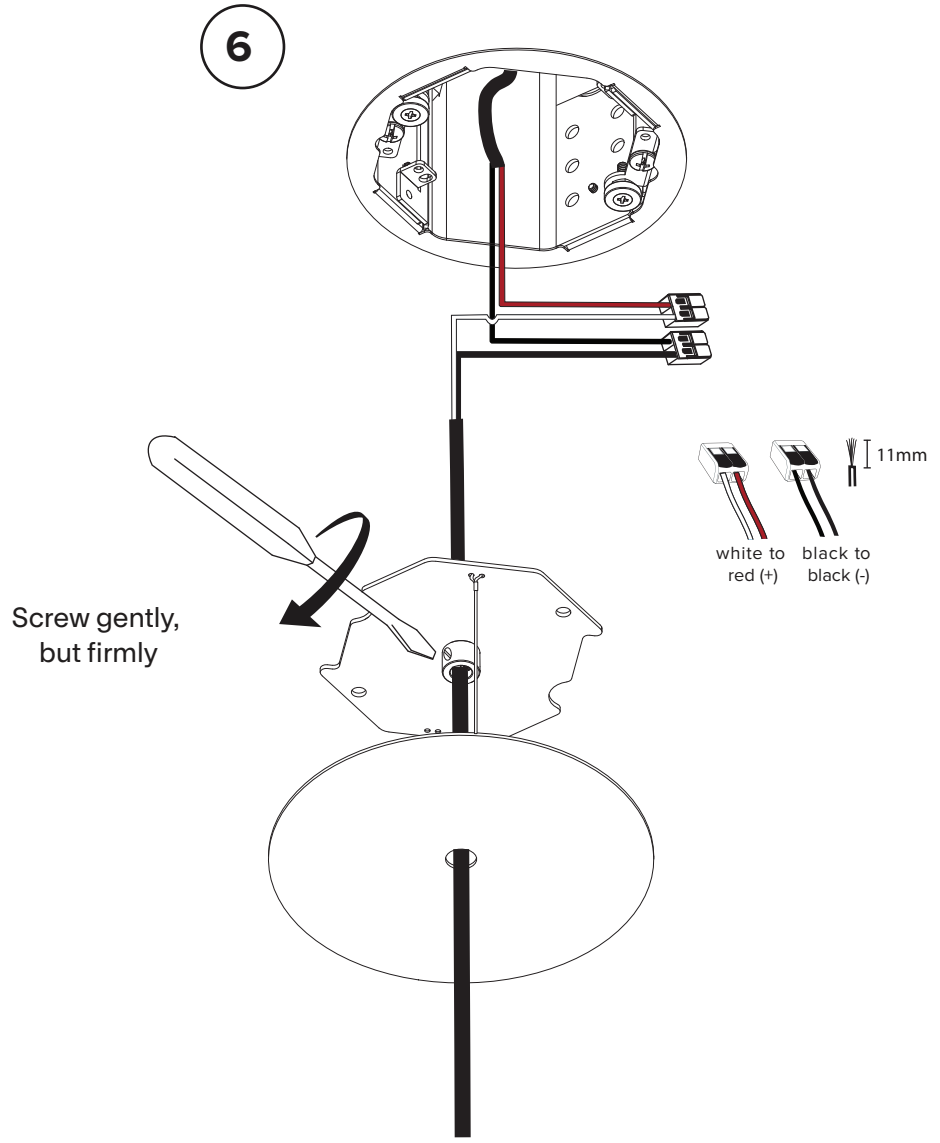
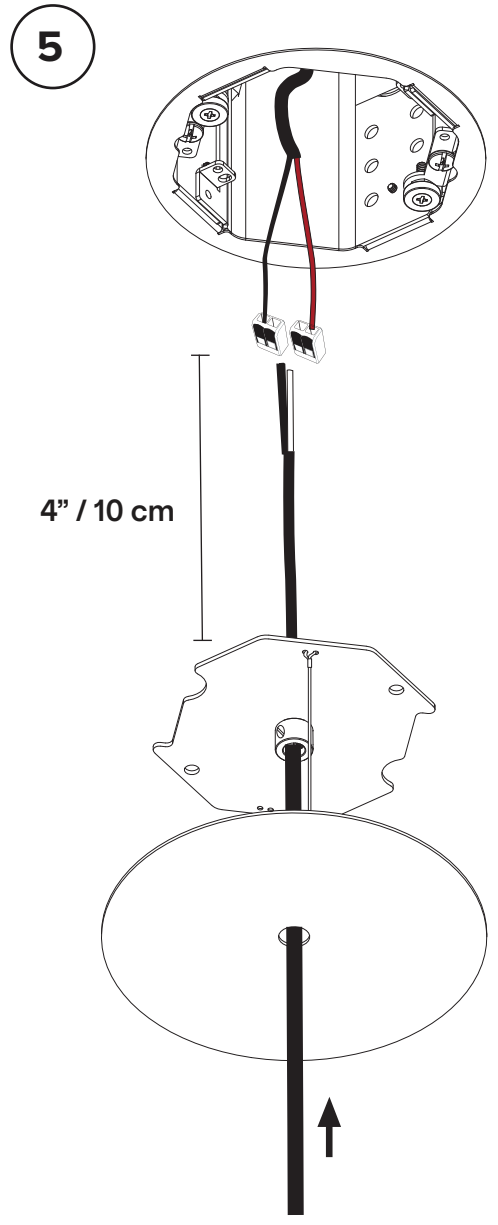


**Make sure you use appropriate anchors and screws for your ceiling material and luminaire weight.**

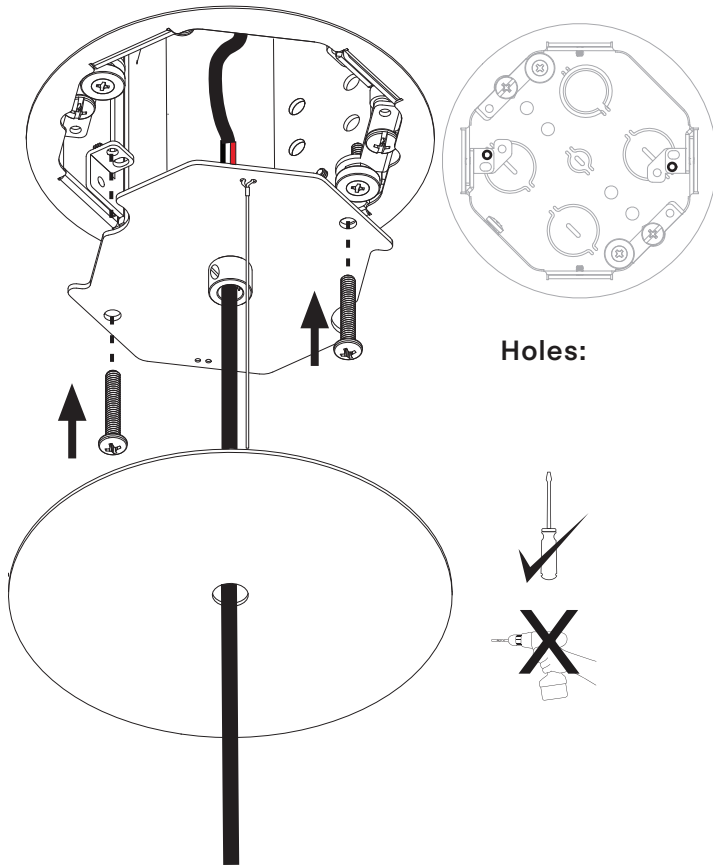
	aluminum	brass
<b>D</b>	7lbs / 3.2kg	21.8lbs / 9.9kg
<b>F</b>	10.3lbs / 4.7kg	32lbs / 13.6kg



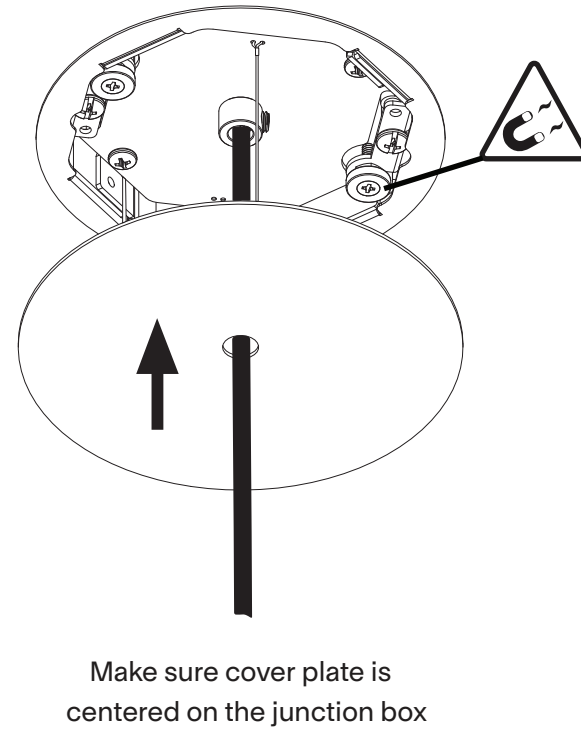
Steps to be completed AFTER steps  
in recessed canopy annex



7



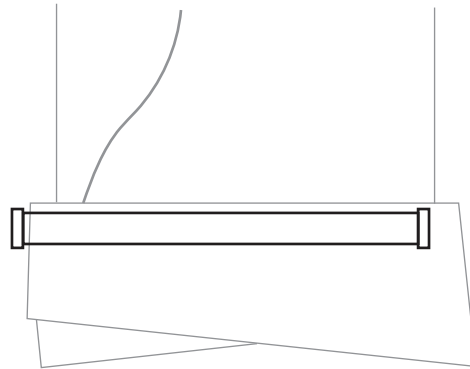
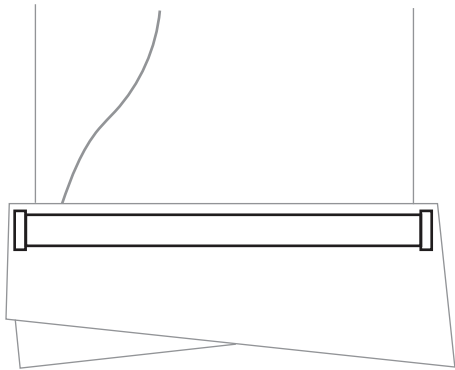
8



## CHECK LENS ALIGNMENT

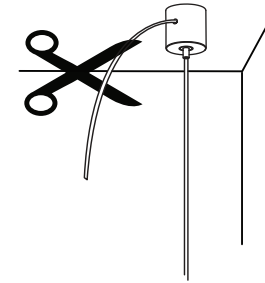
9

The lens may have shifted. Readjust lens to center it if necessary.



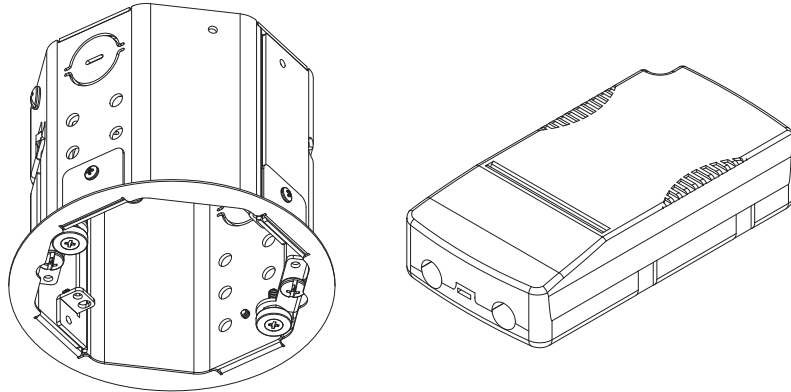
10


Cut excess cable when level and desired height are achieved.



# RECESSED CANOPY INSTALLATION

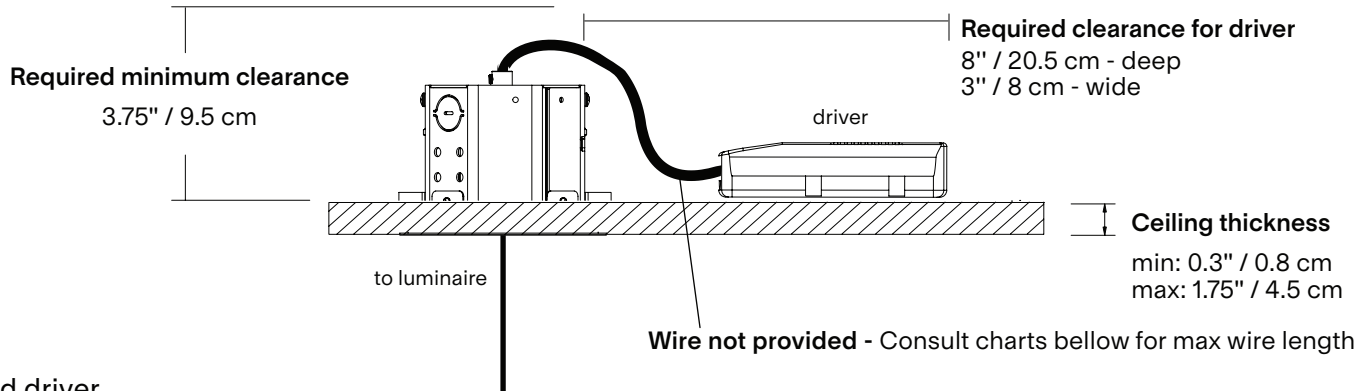
## Octobox with independent driver





- Please read entire manual before beginning installation
- To be installed by an electrician
- Use appropriate screws where necessary
- For non-insulated hollow ceiling
- Wires for plenum not provided

  
**For remote driver installation**  
**Consult chart below for max wire length.**

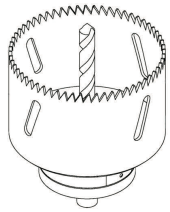
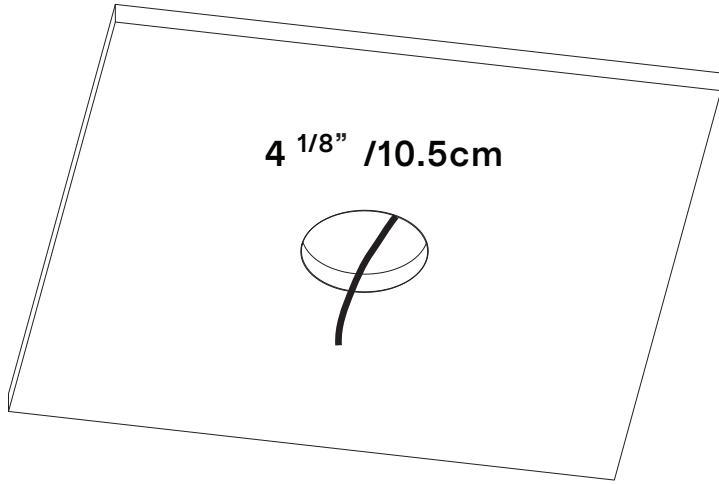


Distance between lamp and driver.

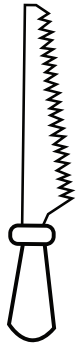
Wire gauge	Max Distance
18AWG	64.6 ft / 19.7m
16AWG	102.7 ft / 31.3m
14AWG	163.3 ft / 49.8m
12AWG	259.7 ft / 79.1m



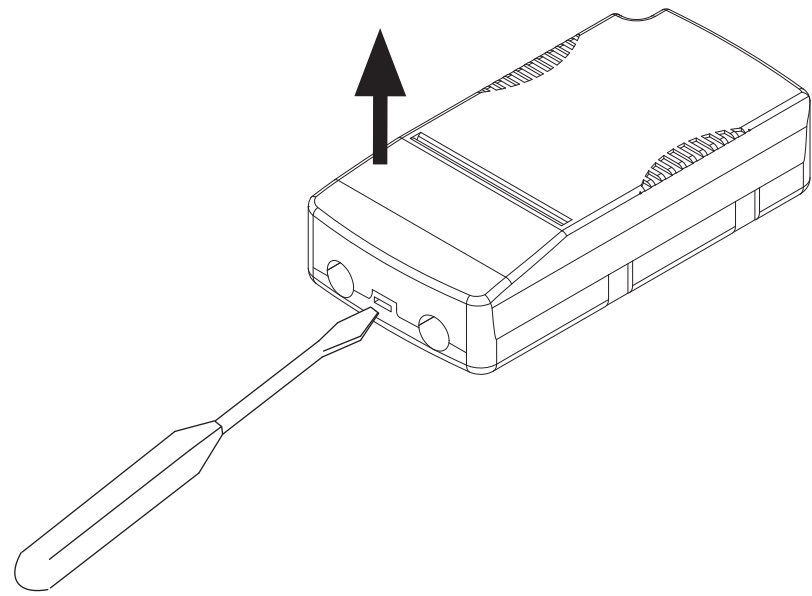
1

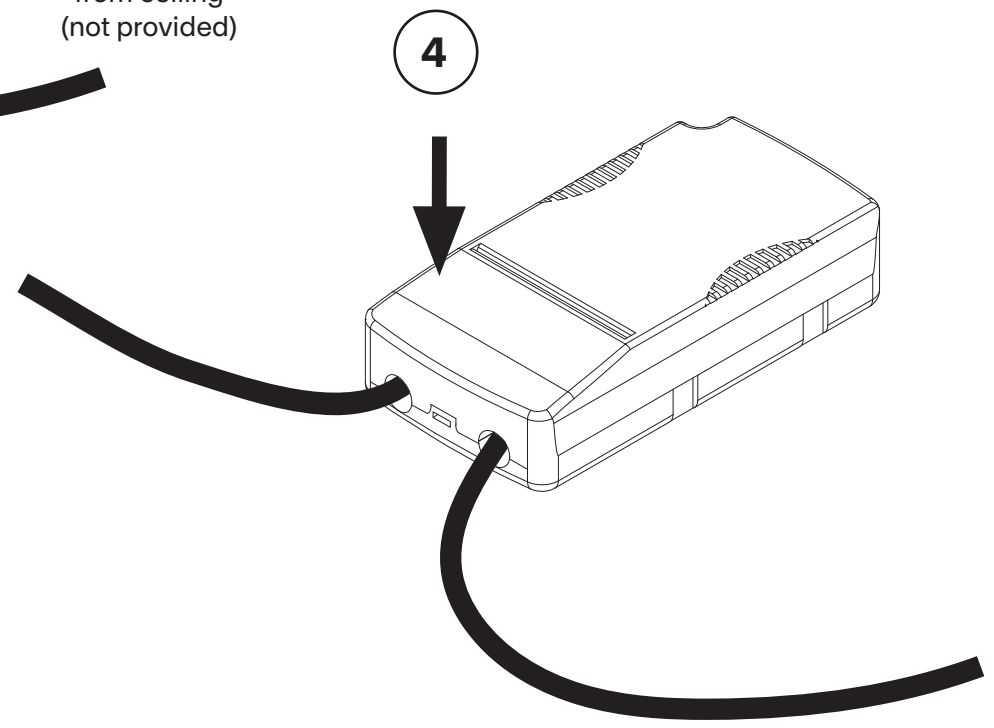
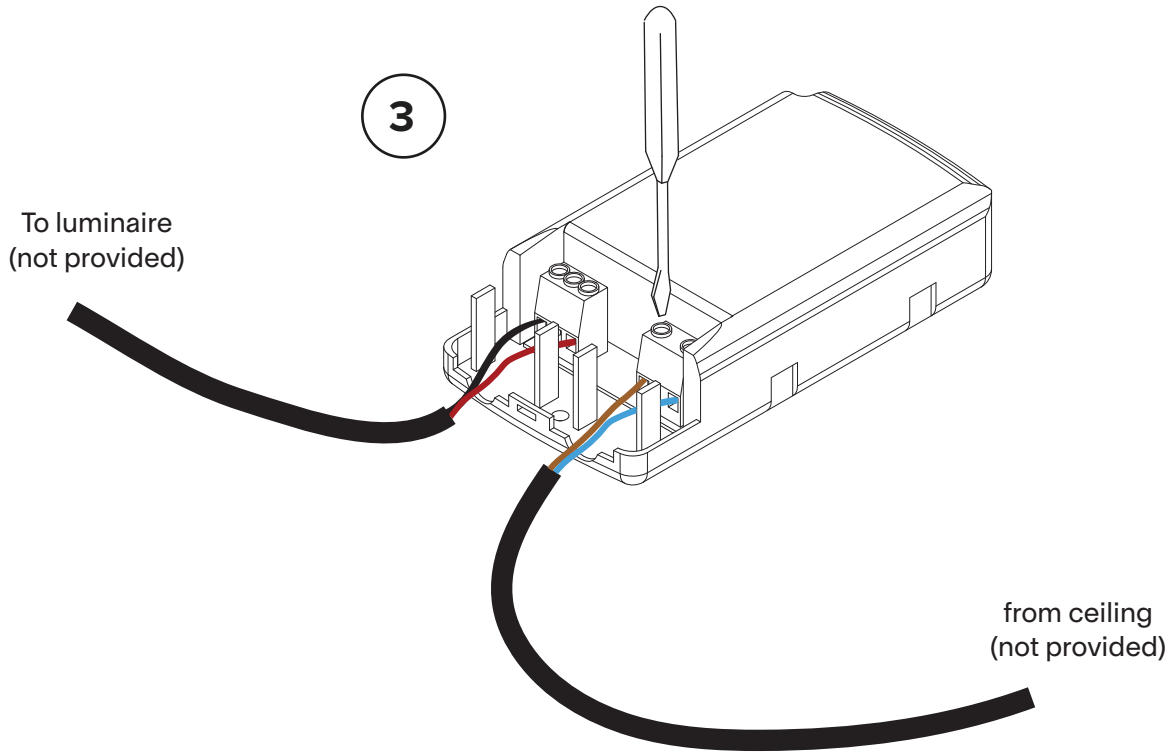


or



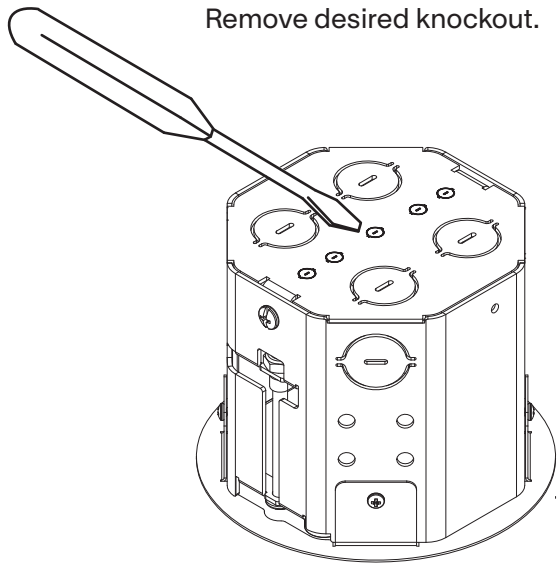
2



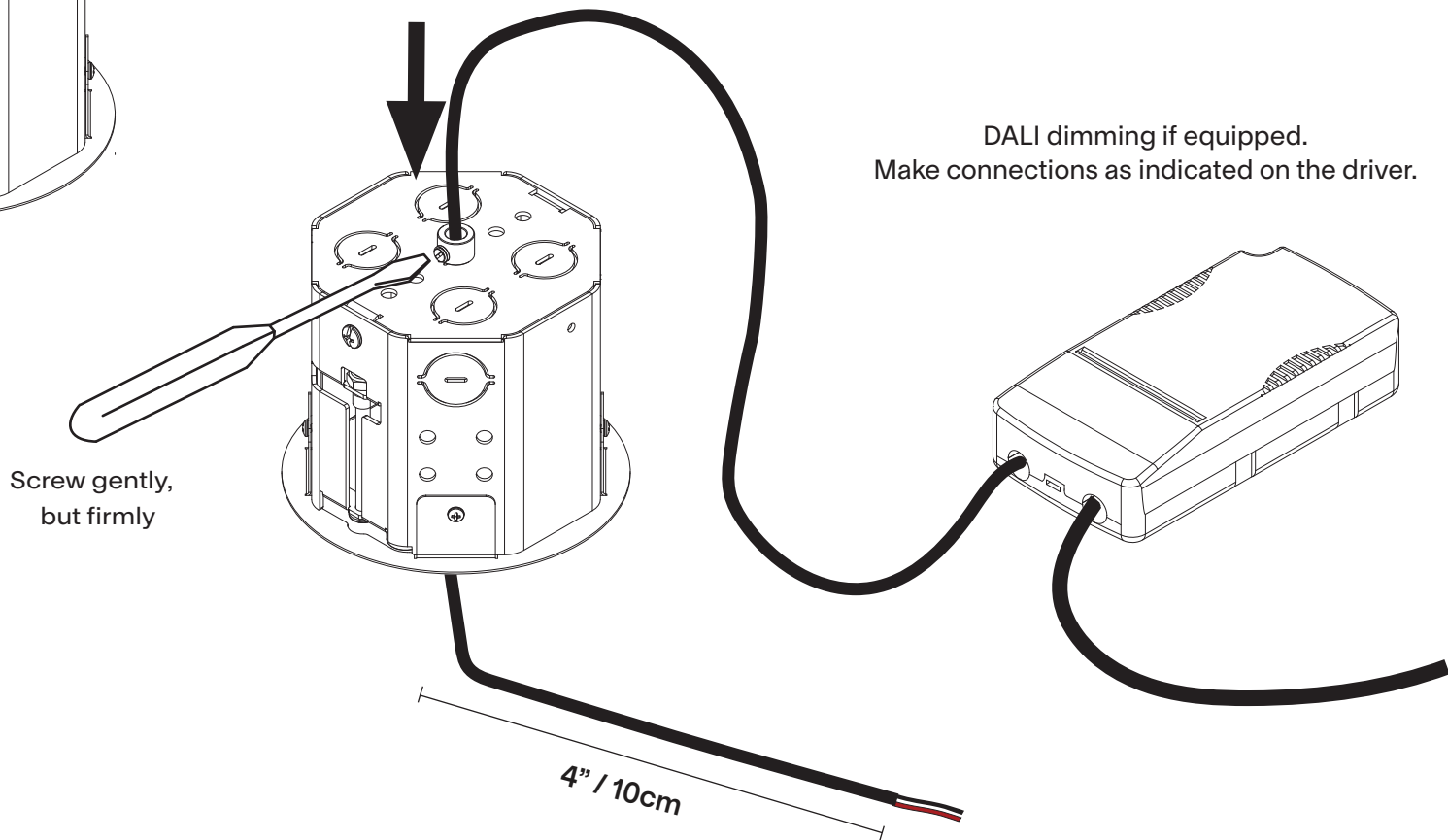


5

Remove desired knockout.



Use appropriate strain relief (not provided) depending on your wire gauge.

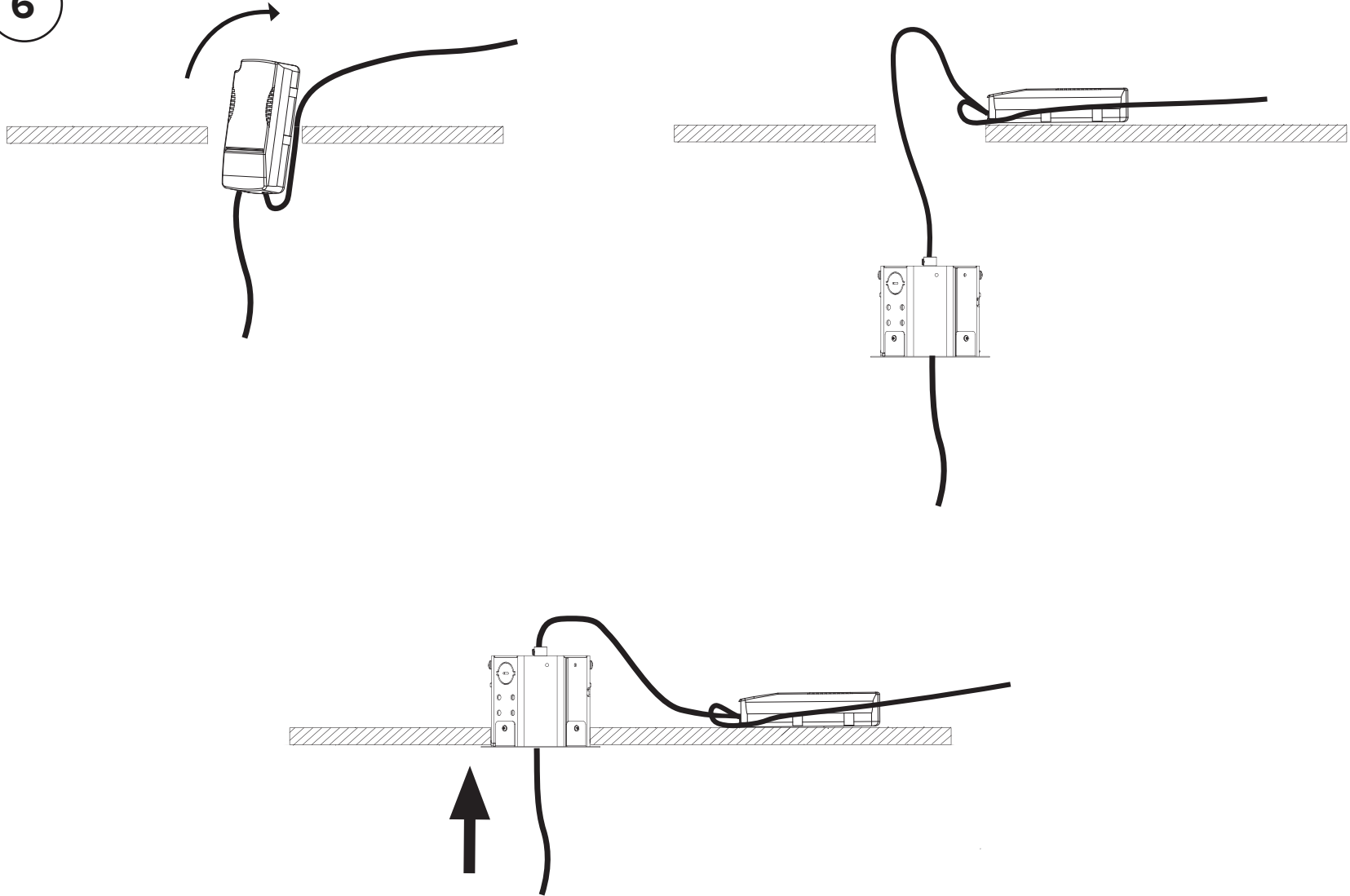


Screw gently, but firmly

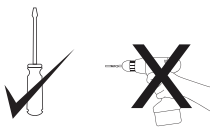
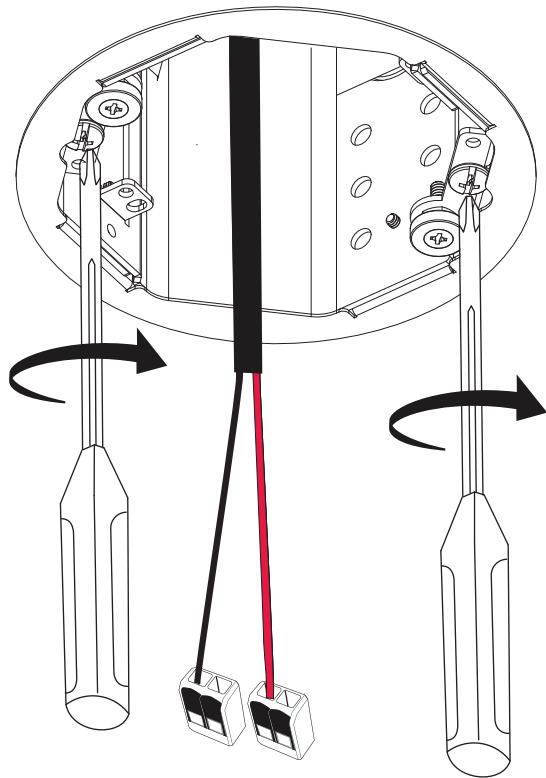
DALI dimming if equipped.  
Make connections as indicated on the driver.

4" / 10cm

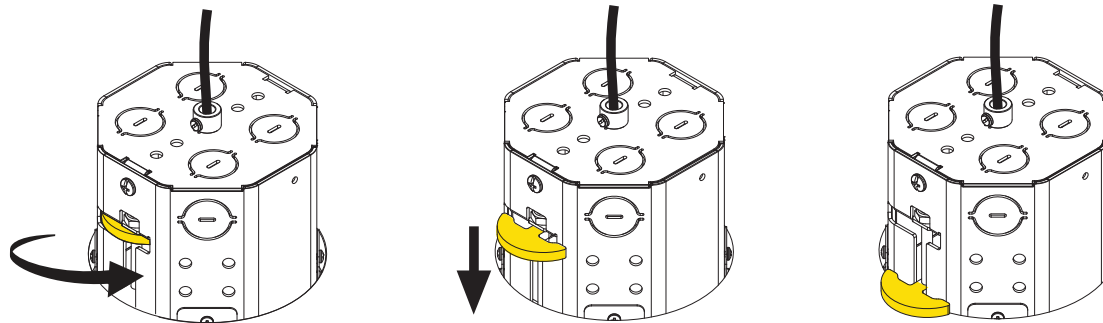
6



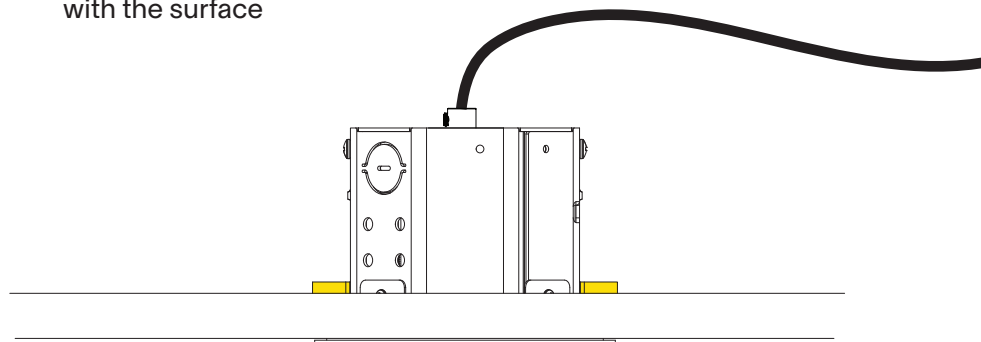
7



View from above



Stop when arms make contact with the surface



8

The recessed canopy is now installed, return to luminaire installation steps and follow the instructions (page 3).