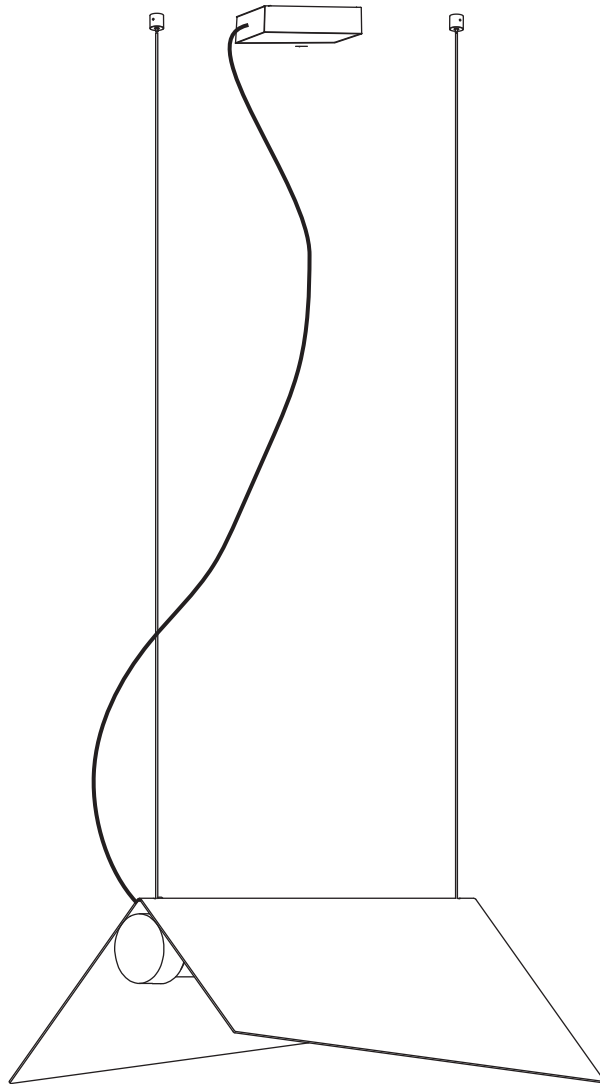


## CLARK SUSPENSION



- Please read entire manual before beginning installation
- To be installed by an electrician to an electrical box
- Use appropriate screws and anchors where necessary
- Wear enclosed gloves when handling lamp
- Handle materials with care. Please consult lamp maintenance sheet on our web site



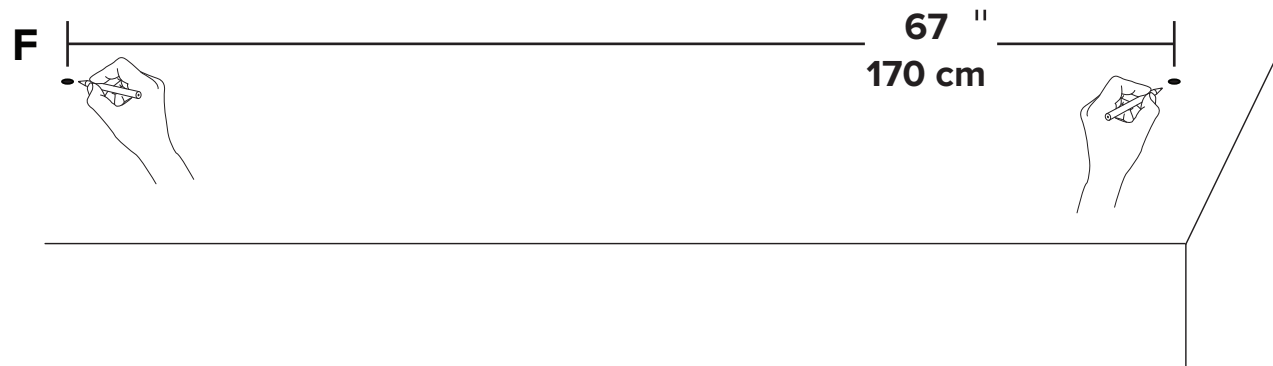
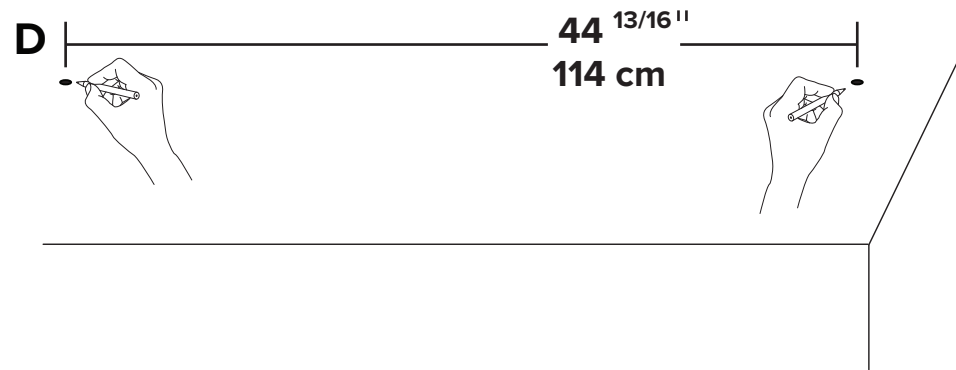
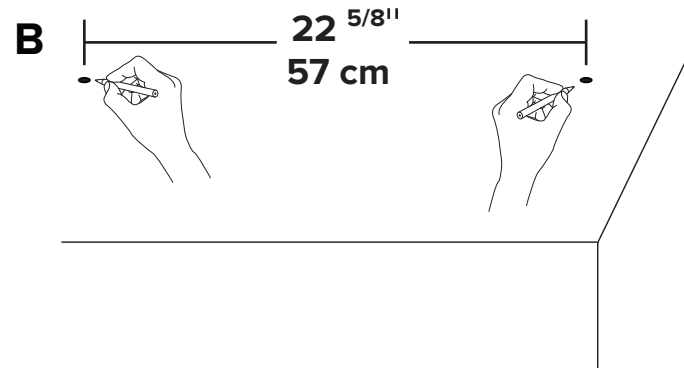
**NEVER TURN ON POWER SUPPLY  
UNTIL CONNECTIONS AND  
INSTALLATION ARE COMPLETED.  
DOING OTHERWISE COULD BE  
HARMFUL TO YOUR LUMINAIRE.**

# INSTALL AND ADJUST AIRCRAFT CABLES

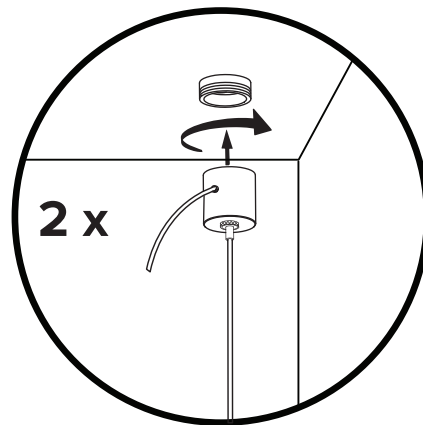
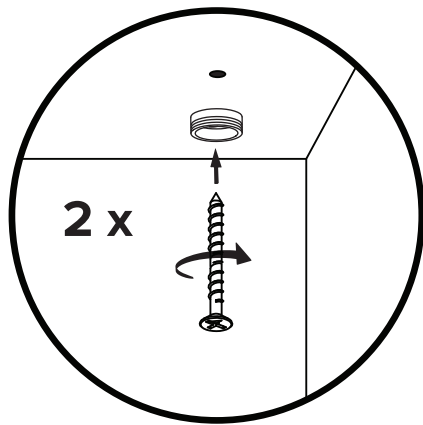
STEPS 1-3

1

Mark your anchor  
points on the ceiling  
according to your model

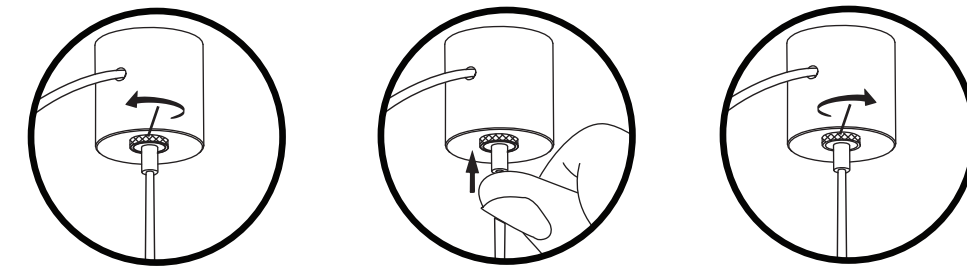
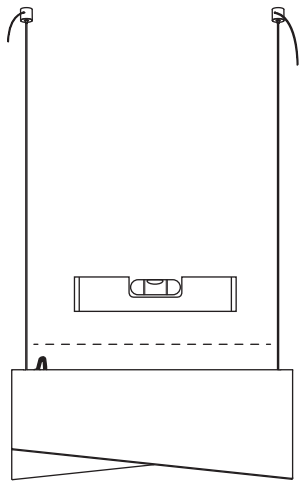


2

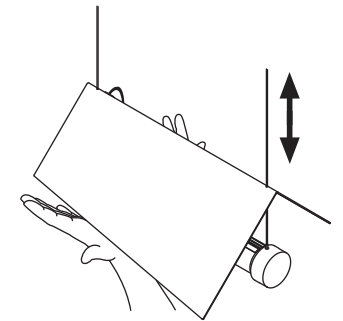
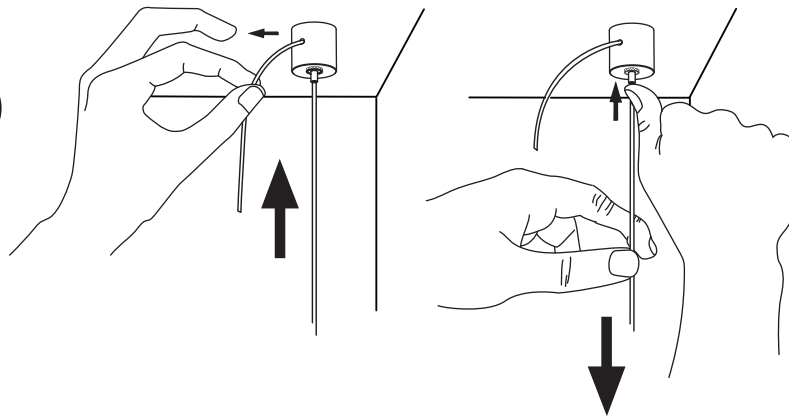


**Make sure you use appropriate anchors and screws for your ceiling material and luminaire weight.**

	aluminum	brass
<b>B</b>	3.6lbs / 1.6kg	11.3lbs / 5.1kg
<b>D</b>	7lbs / 3.2kg	21.8lbs / 9.9kg
<b>F</b>	10.3lbs / 4.7kg	32lbs / 13.6kg

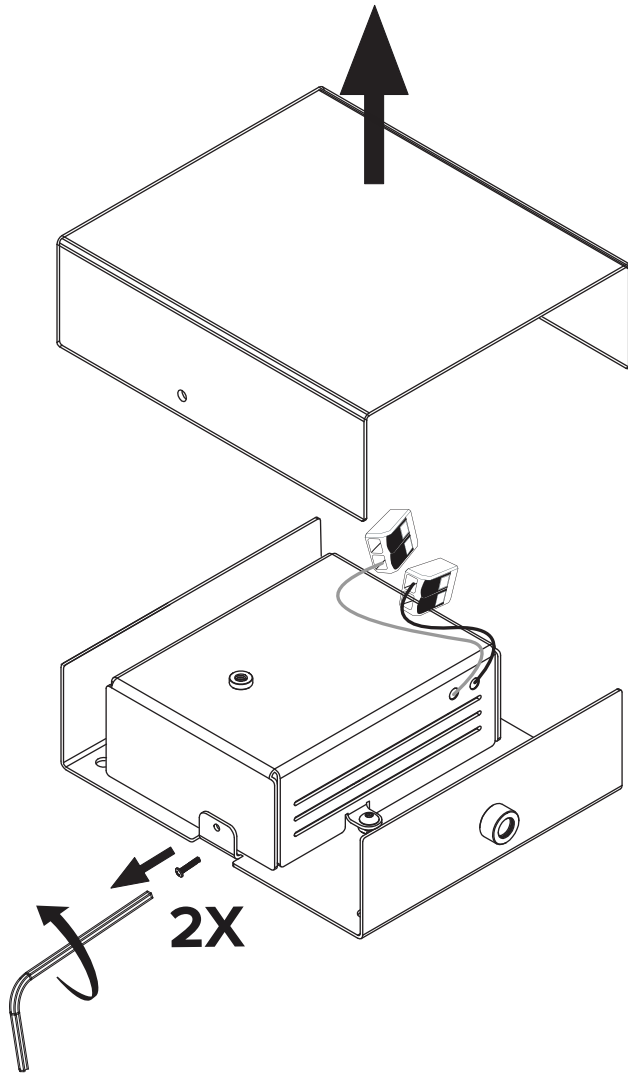


3



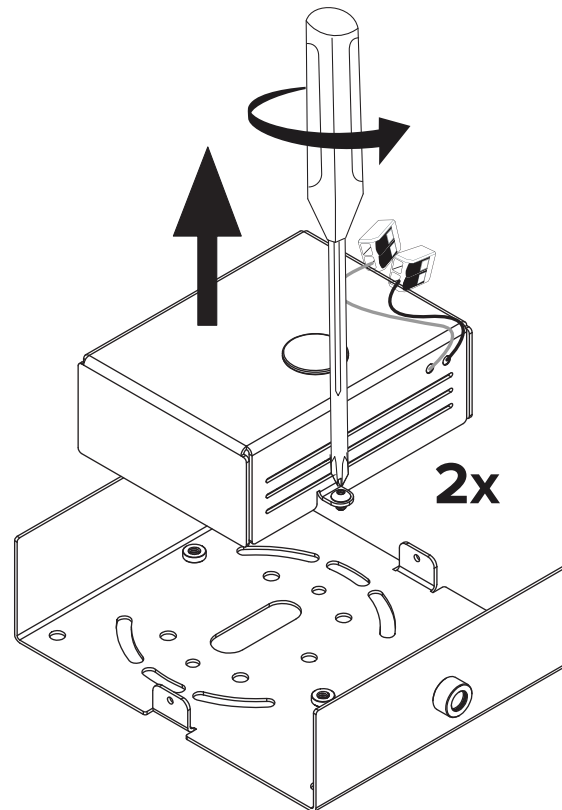
4

Open canopy cover.  
It is held in place with  
two screws.



5

Unscrew driver  
housing. It is held in  
place by two screws.  
Place the housing aside.



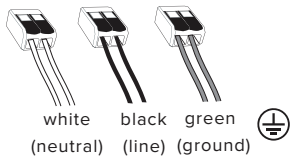
# INSTALL EXTENSION HARNESS TO LINE/MAIN VOLTAGE

6

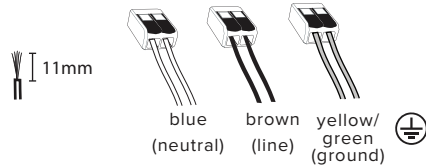
Connect the extension harness to the junction box. The harness is shipped with the canopy.



for 120 V wiring

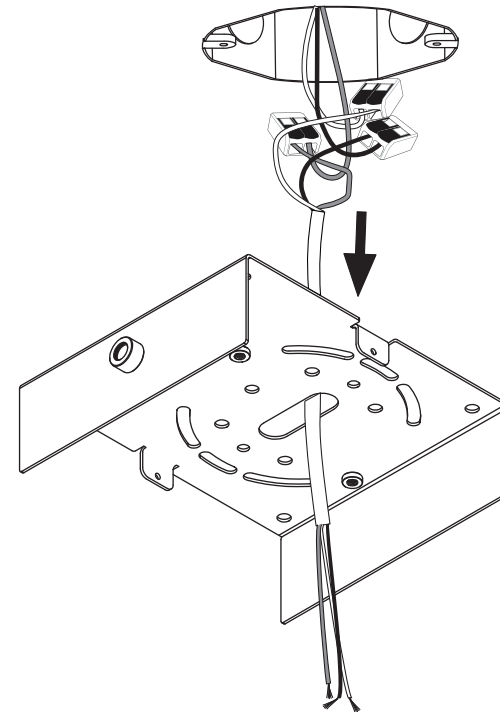


for 220-240 V wiring



7

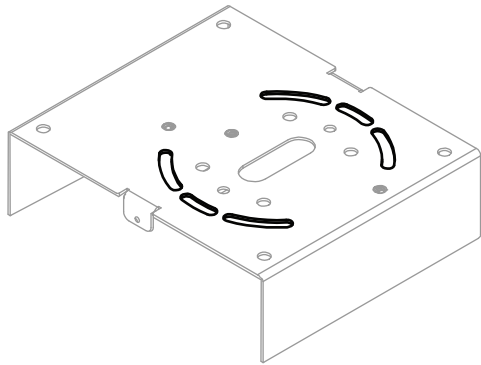
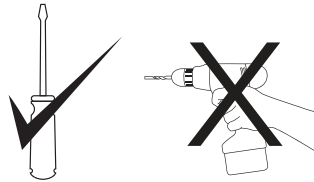
Pass the extension harness through center hole of canopy.



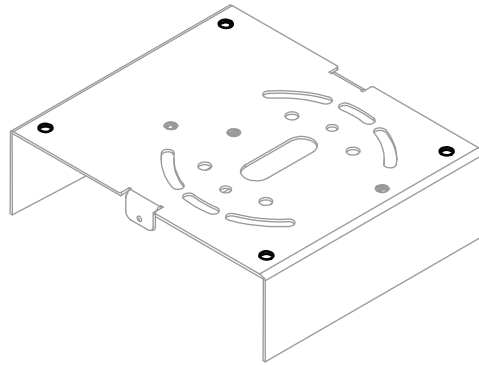
# MOUNT CANOPY BRACKET

8

The canopy can either be mounted to the junction box or directly to the ceiling using appropriate holes.

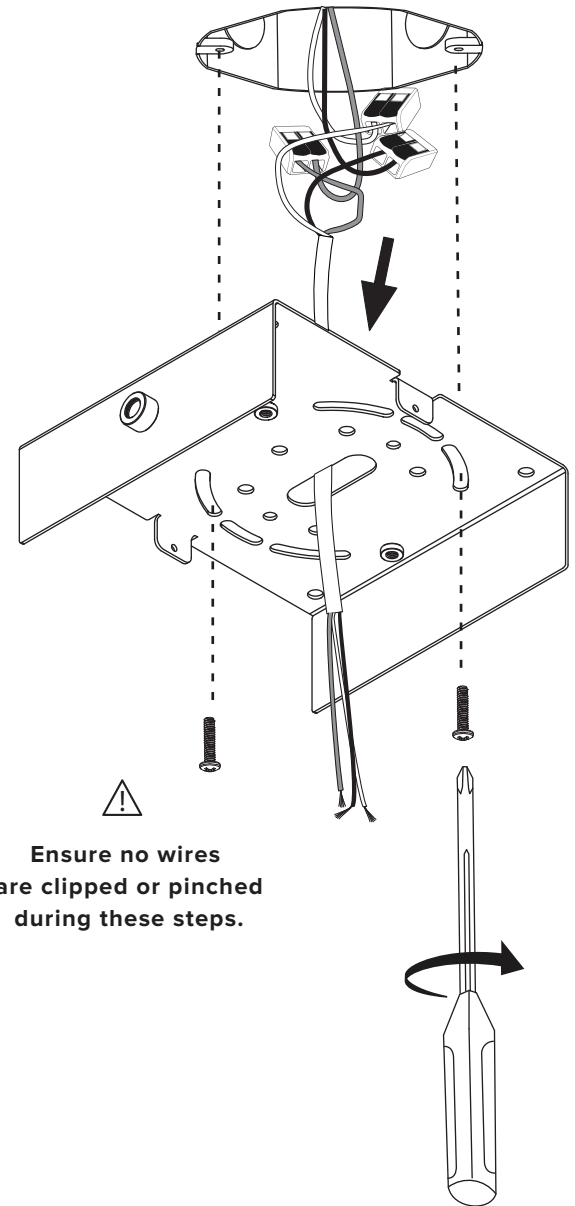


To junction box



**OR**

directly to the ceiling  
\*use appropriate anchors

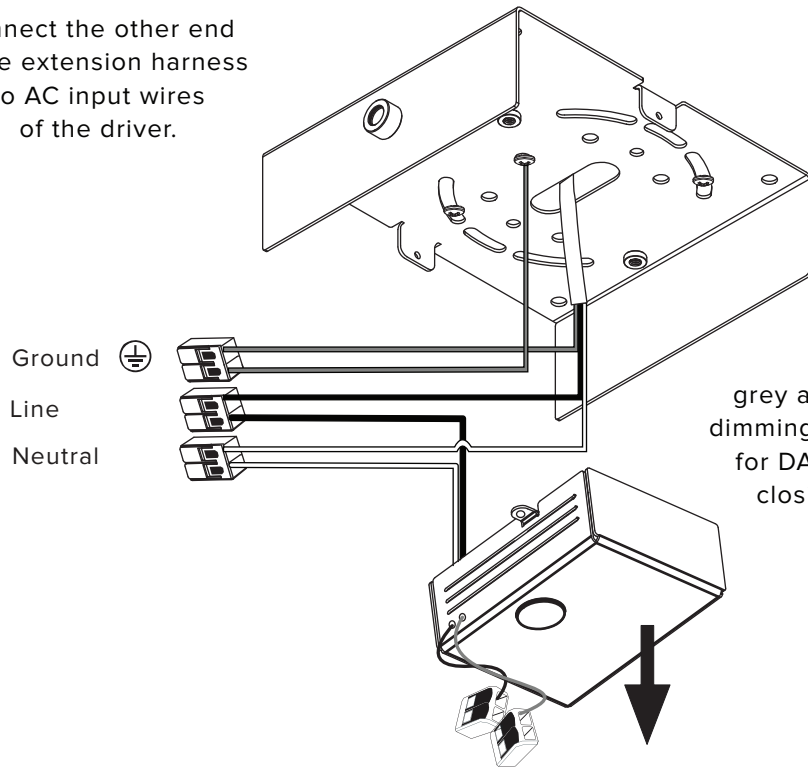


Ensure no wires are clipped or pinched during these steps.

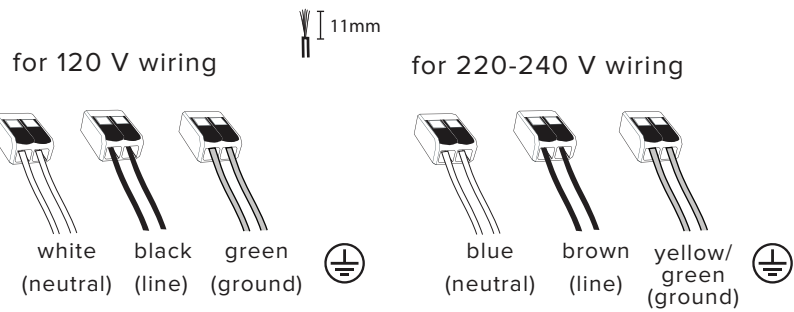
# CONNECT EXTENSION HARNESS (ELECTRICAL BOX) TO DRIVER'S AC INPUT WIRES

9

Connect the other end of the extension harness to AC input wires of the driver.

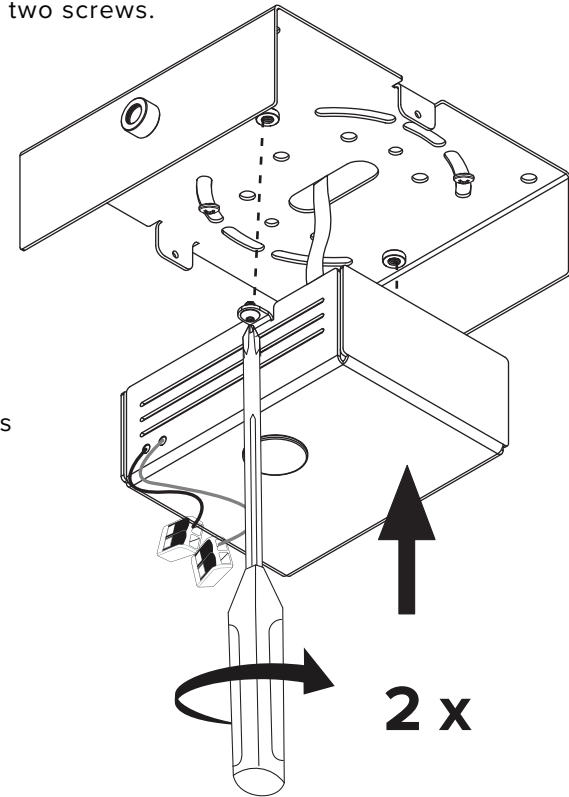


If applicable, use grey and purple wires for 0-10V dimming circuit, or the orange wires for DALI dimming circuit before closing the driver enclosure.



10

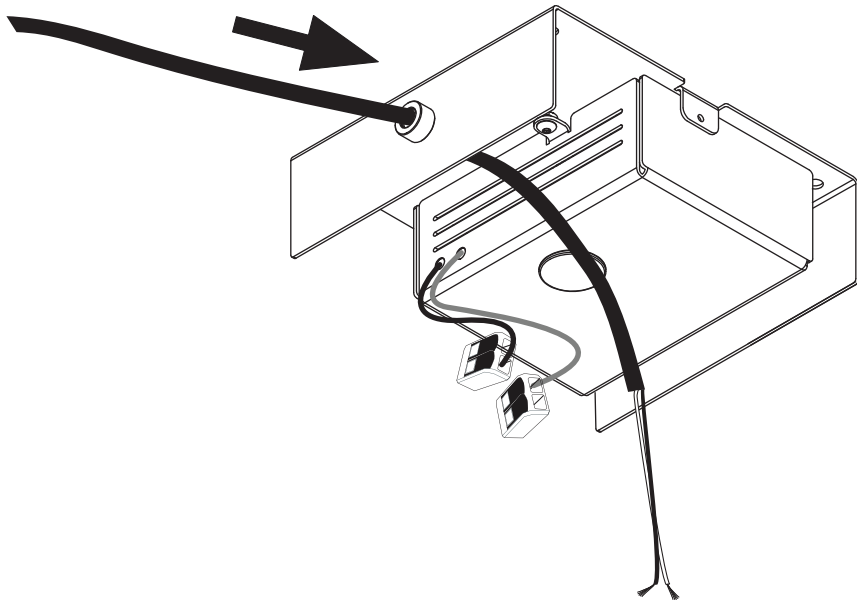
Carefully close driver enclosure. It is held by two screws.



Ensure no wires are clipped or pinched during these steps.

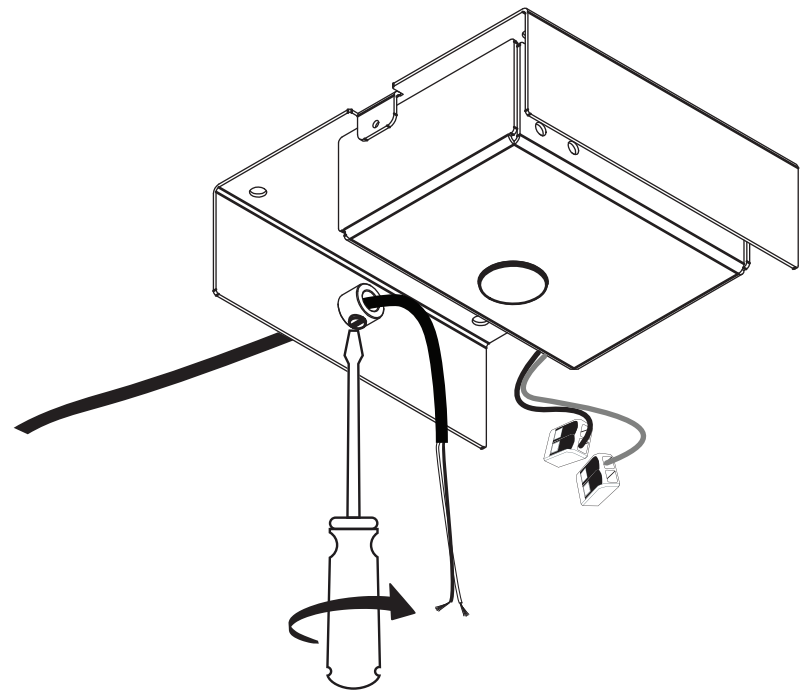
11

Feed luminaire cord into the canopy strain relief.



12

Tighten strain relief set screw when desired cord length is reached.

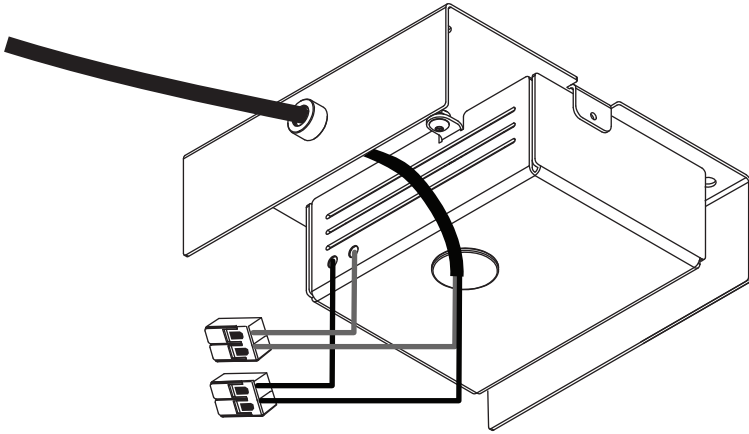


\*screw gently but firmly

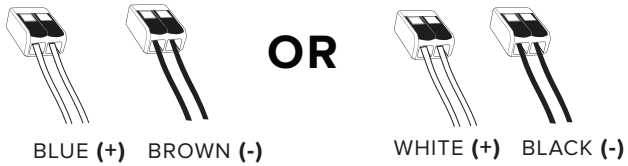


# CONNECT LUMINAIRE CORD TO DRIVER DC WIRES

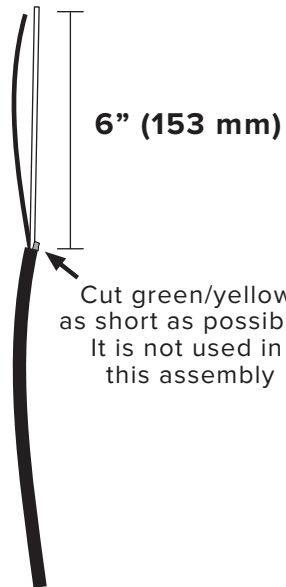
13



Depending on your location,  
the luminaire cord will either be  
Blue (+) and brown (-)  
**or**  
White (+) and Black (-)

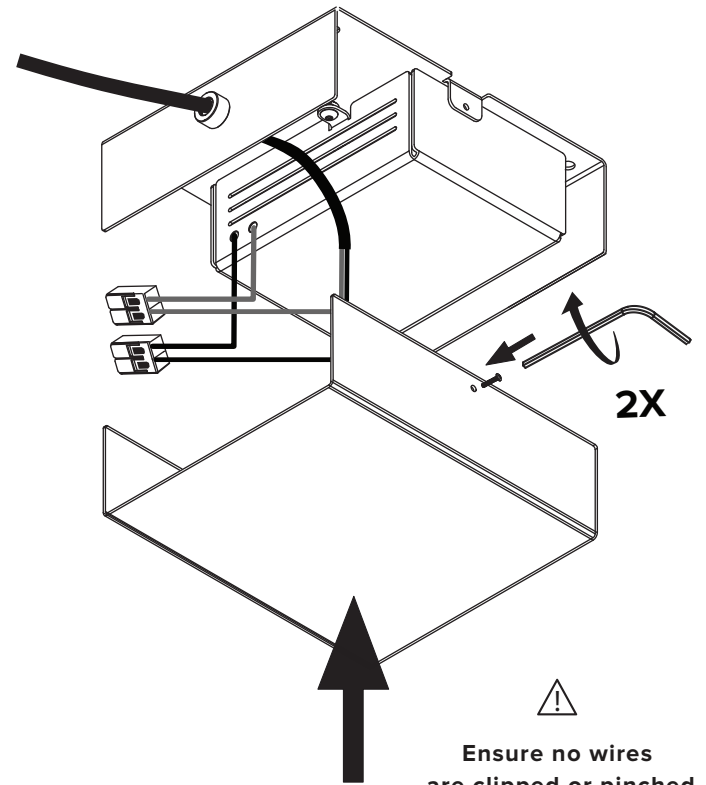


Trim end of cord  
to resemble this.



14

Close housing.  
The canopy cover is secured  
in place by a magnet or two screws  
depending on your model  
and location.



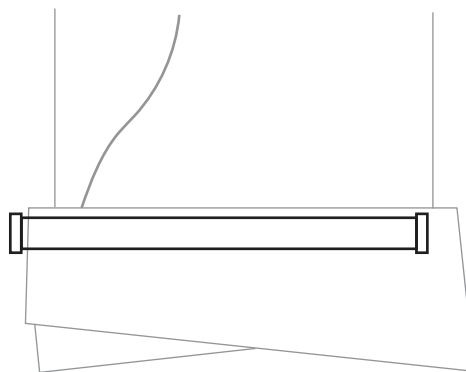
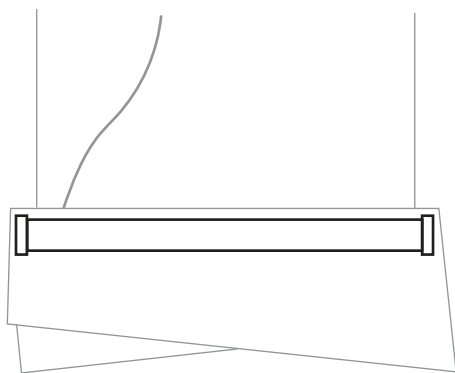
Ensure no wires  
are clipped or pinched  
during this step.

## CHECK LENS ALIGNMENT

STEP 13

15

The lens may have shifted. Readjust lens to center it if necessary.



16

Cut excess cable when level and desired height are achieved.

