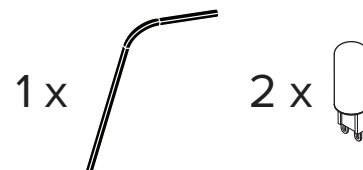
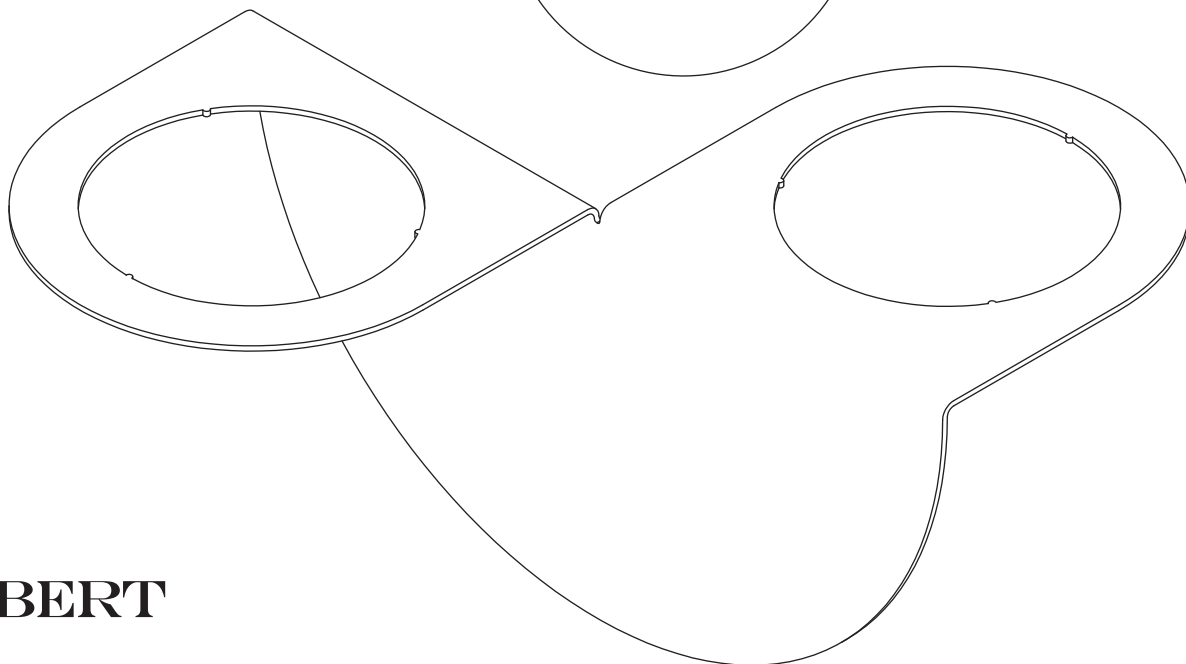
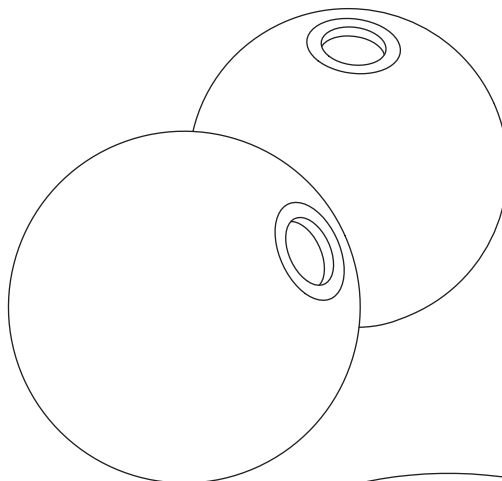
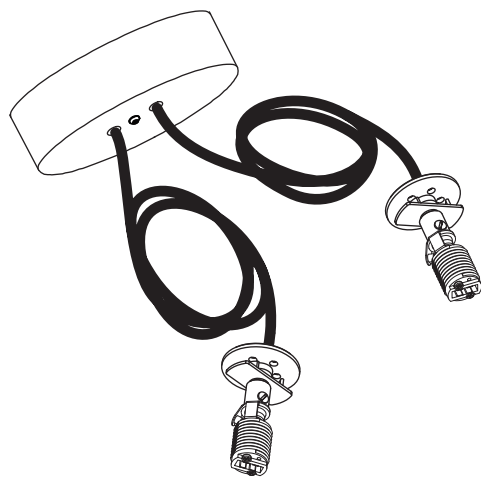


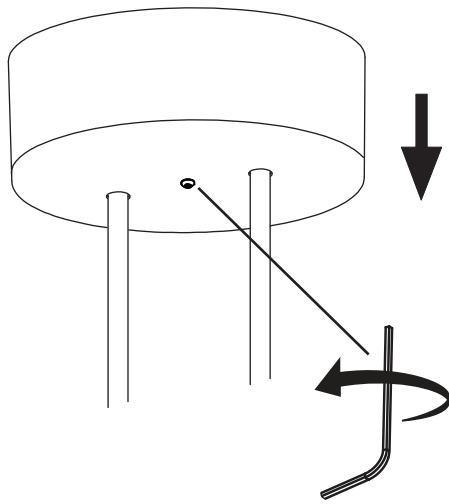
LAURENT 01



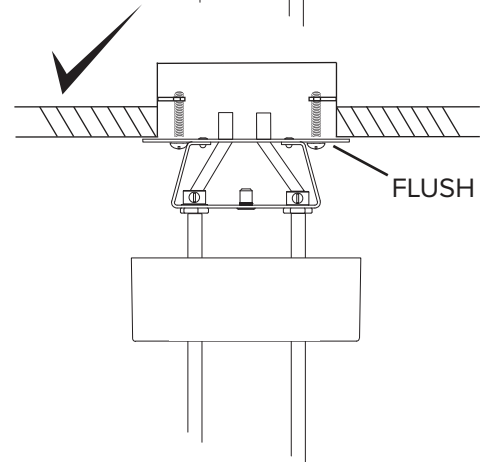
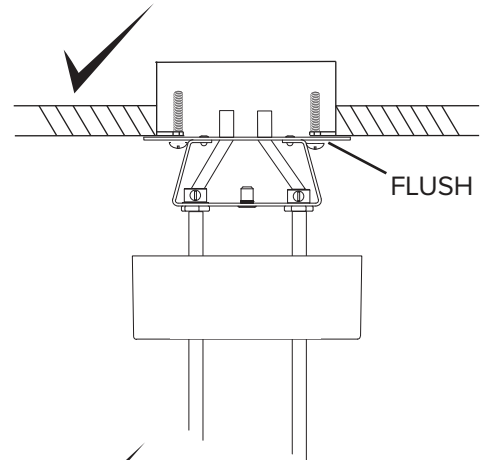
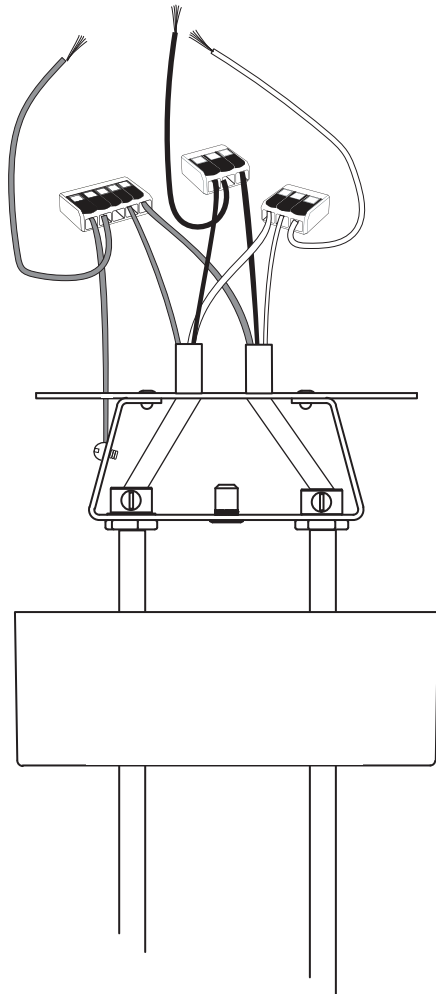
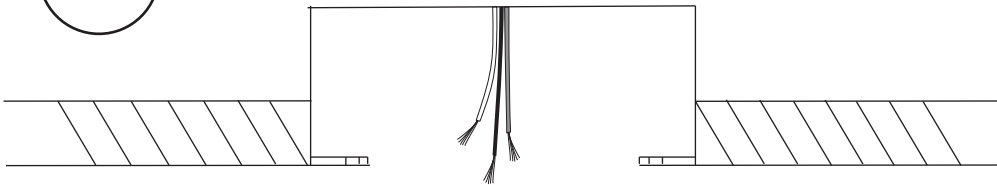
- To be installed by an electrician to an electrical box
- Use appropriate screws and anchors where necessary
- Wear enclosed gloves when handling lamp
- Handle materials with care. Please consult lamp maintenance sheet on our web site
- Should be used exclusively as a lamp and not as a shelving, display or hanging unit

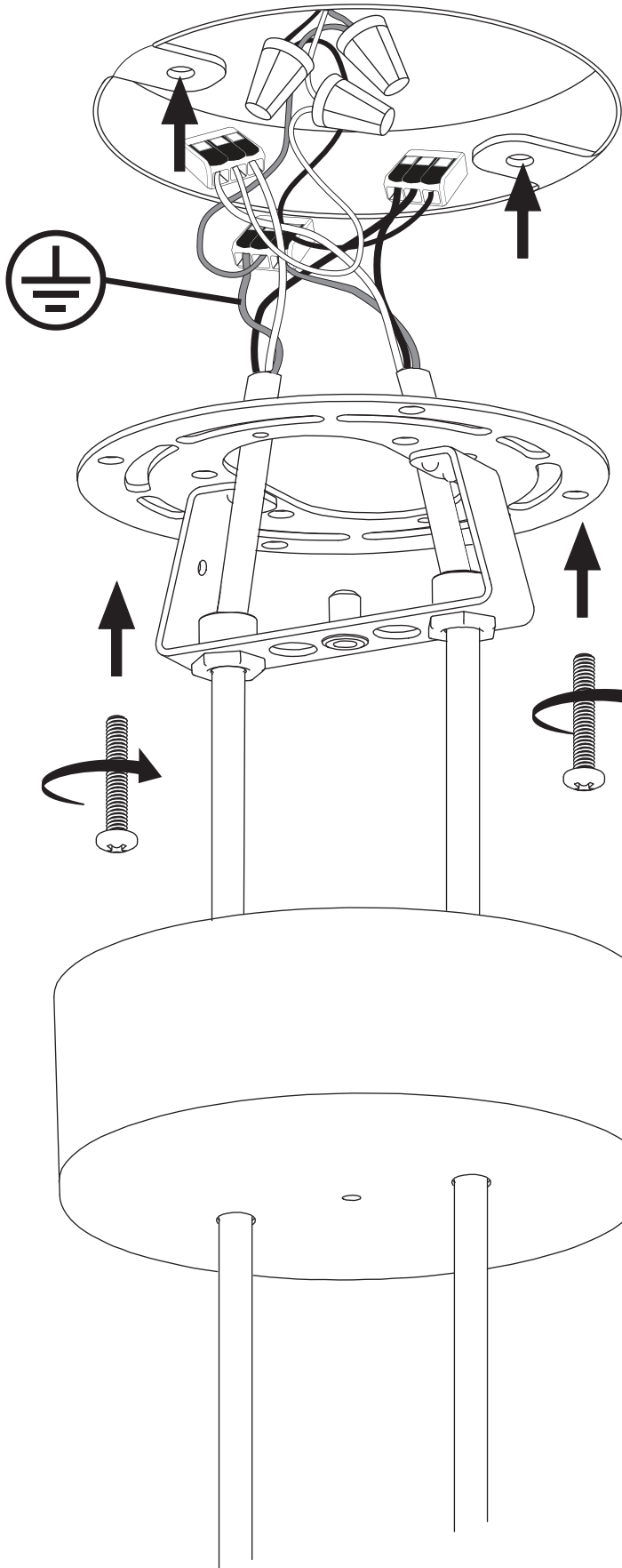


1



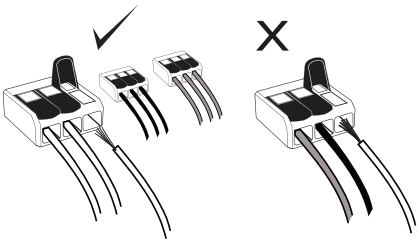
2





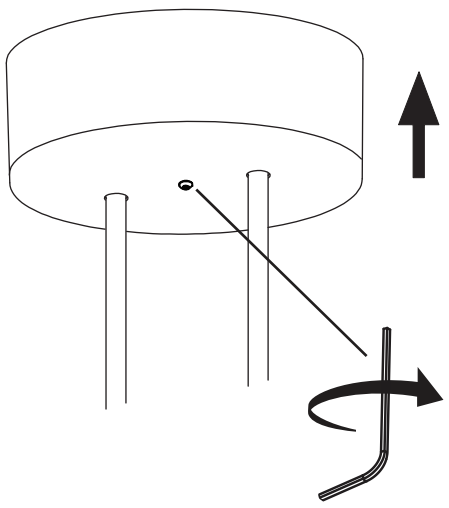
3

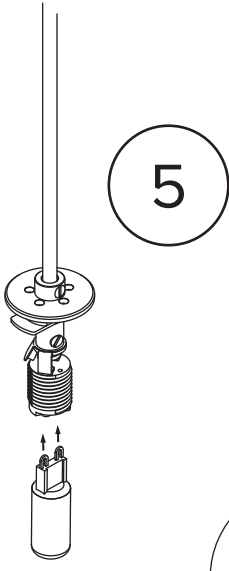
Make connection.  1/4"



Ensure no wires are scratched or pinched during this operation.

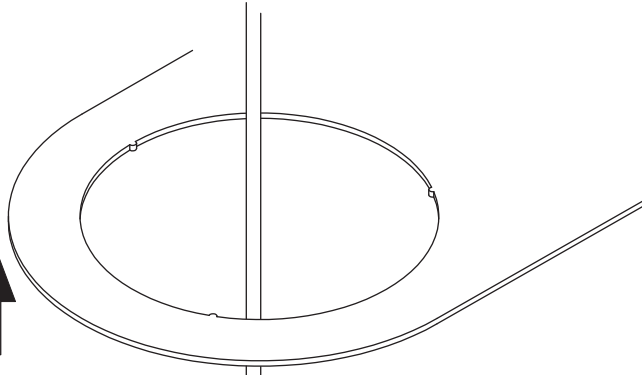
4





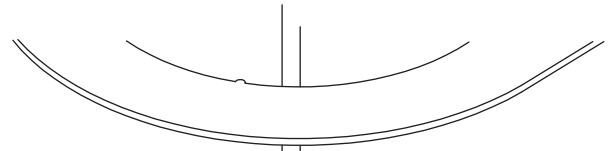
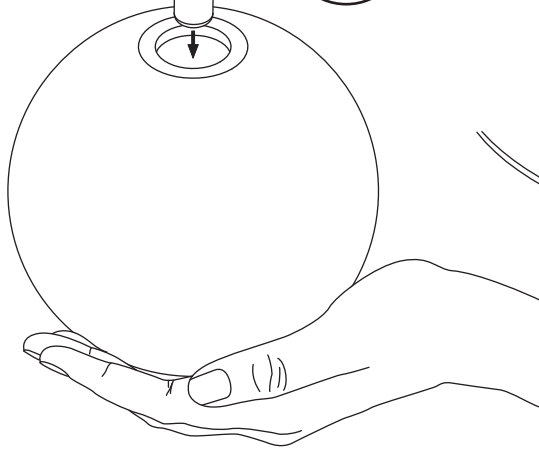
5

↑
A

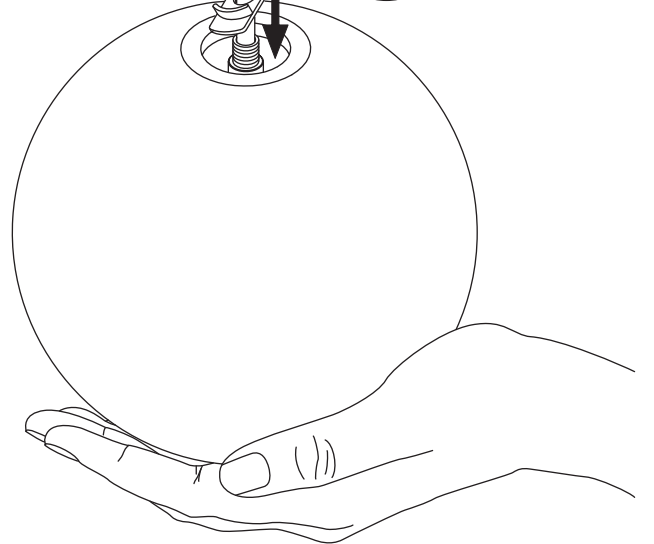


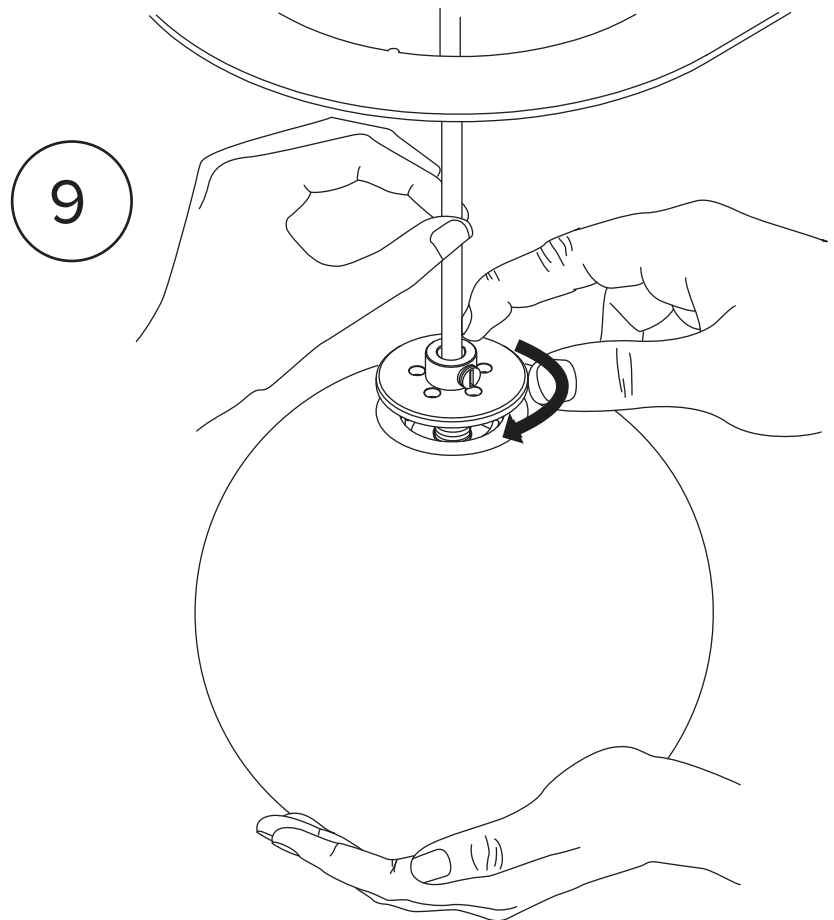
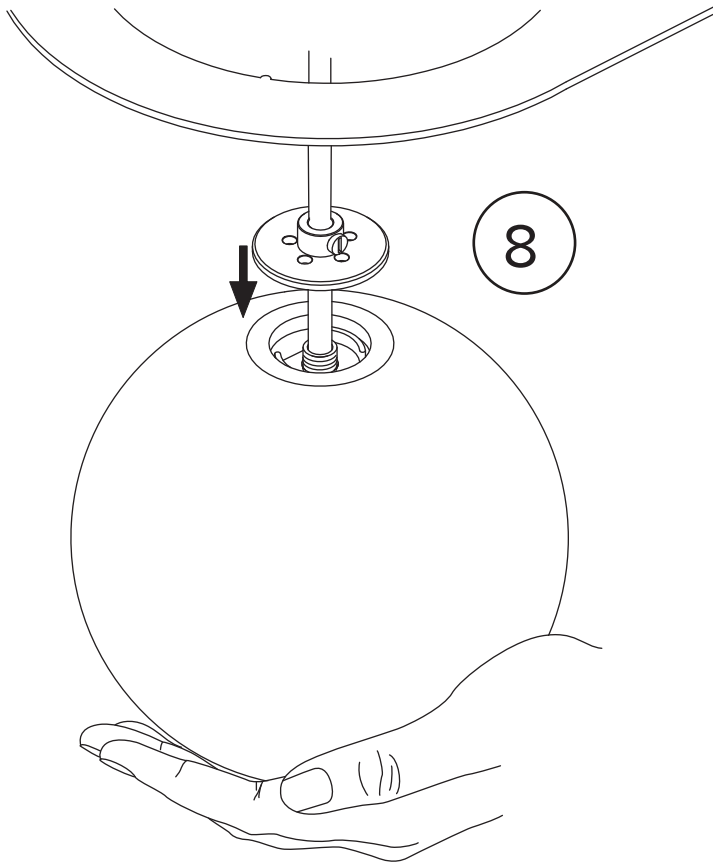
B

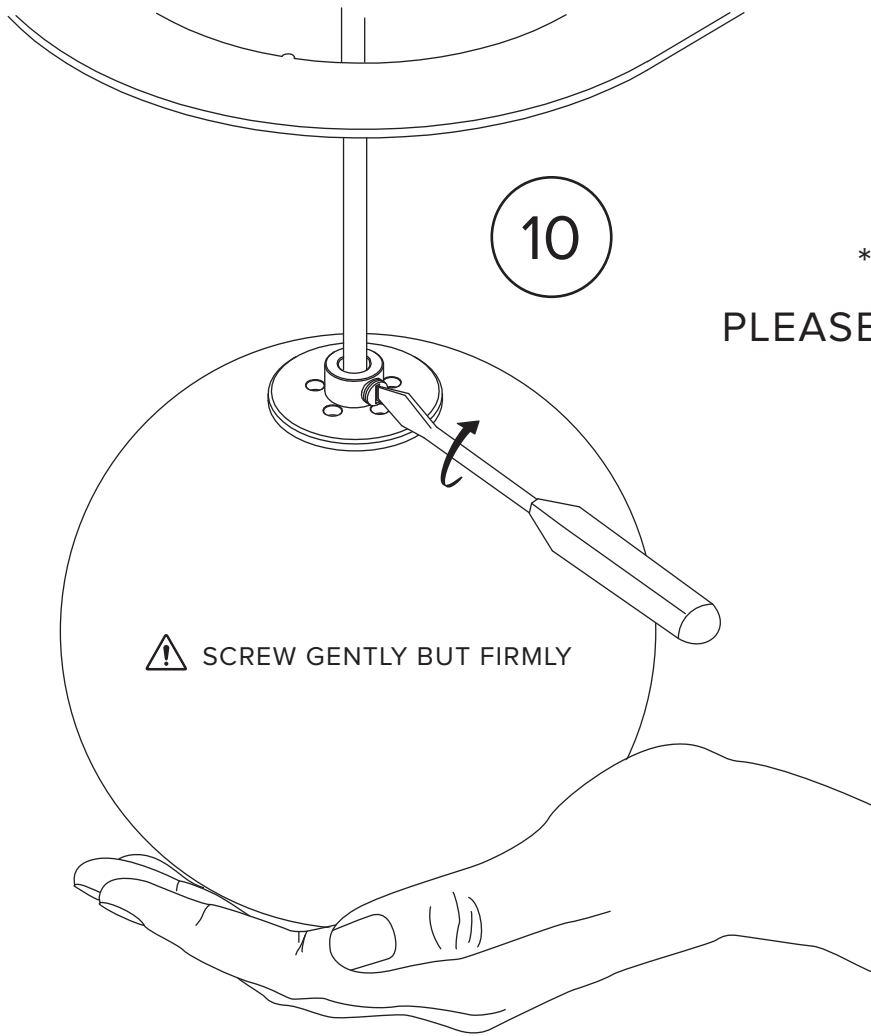
6



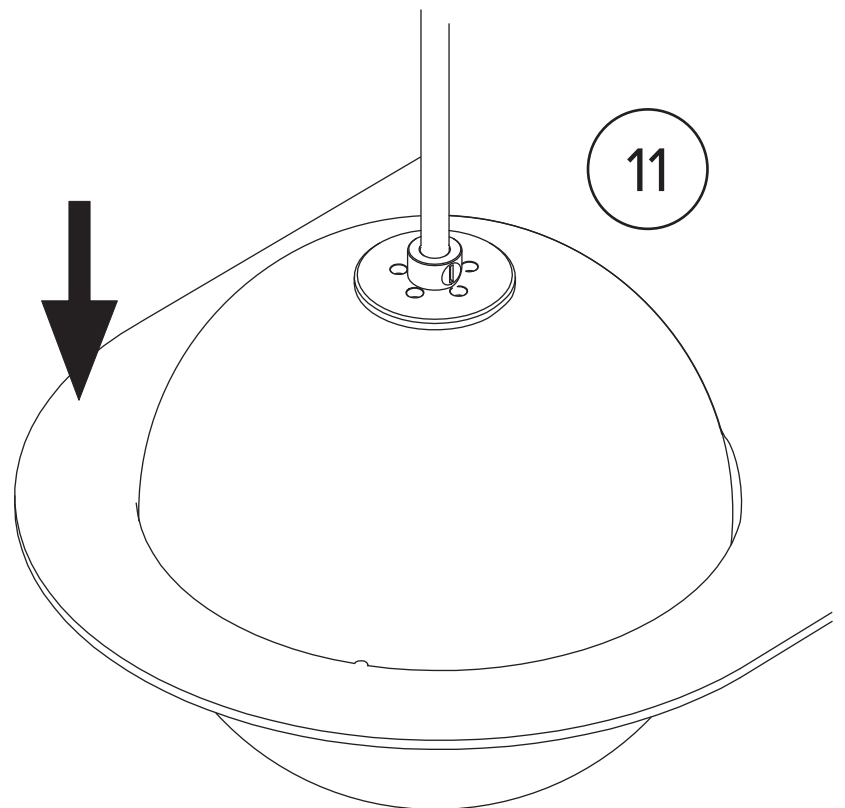
7



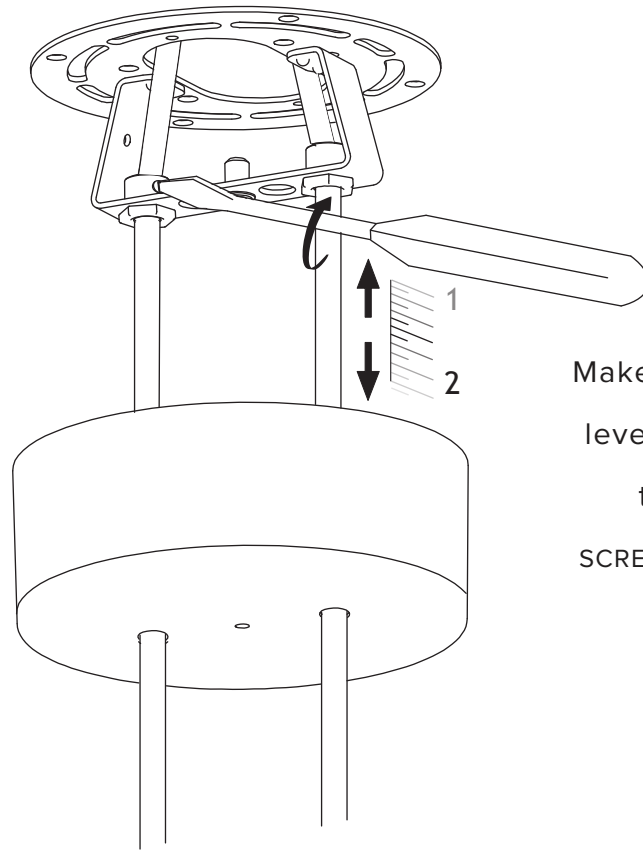




* To ensure safety,
PLEASE FOLLOW THESE STEPS
CAREFULLY



12



Make sure the globes are level by micro-adjusting the wire lengths.
SCREW GENTLY BUT FIRMLY

