



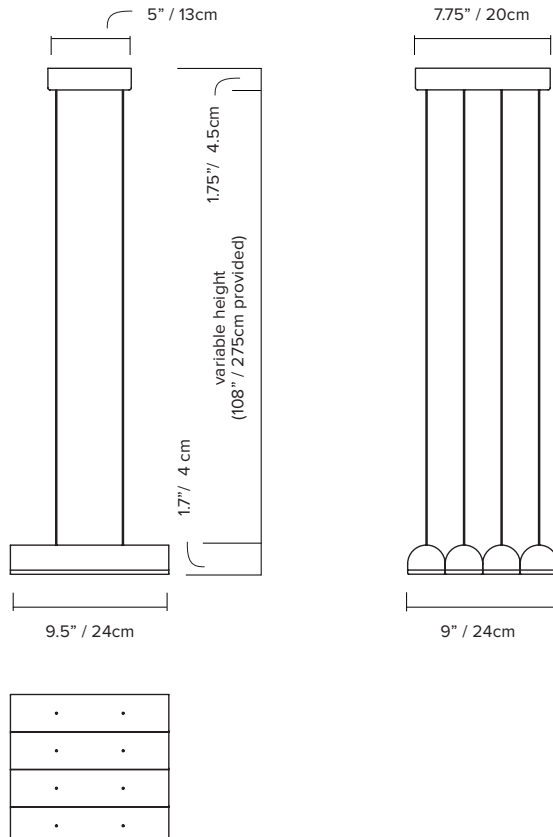


HUTCHISON 04

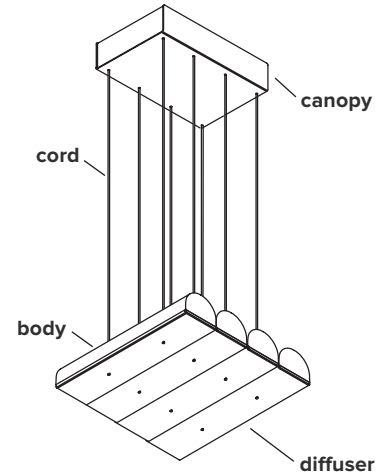
Hutchison is the thoughtful study of soft curves and hard lines—a rivalry of vertical and horizontal forces and a play of scale and repetition. Alone, it self-defines as a frank, decorative pendant light. In multiples, it evokes the iconic patterns of Middle Eastern archways and Roman terracotta roofs.

- type:** suspension
- construction:** powder coated or polished aluminum body
PMMA frosted diffuser
polyester cord
- specifications:** source: LED array, integrated
power consumption: 32W
lumen output : 2619lm
colour temperature: 2700K, dims to 2200K (Dim-to-Warm)
colour rendering index: ≥90 CRI
colour consistency: 3 SDCM
expected lifetime: 50 000h
- control:** 120-277V: On/Off, 0-10V, Phase Dimming (120V only)
220-240V: On/Off, 0-10V, Phase Dimming (Trailing Edge only)
refer to our recommended list of dimmer models
- cord length:** 108" / 275cm
- weight:** 6.8lb / 3.2kg
- certifications:**     IP20
- warranty:** 2 years



ORDER GUIDE: SKU

COLLECTION	MODEL	BODY	CORD	CANOPY
HUT hutchison	04	BL black WH white TC terracotta BG beige AL aluminum	BL black WH white	BL black WH white TC terracotta * BG beige **
HUT	04	BL	BL	BL = HUT04BLBLBL example

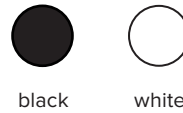


* only available with terracotta body
** only available with beige body

FINISH



CORD



NOTES:

- must be installed by an electrician
- LED may only be changed by Lambert & Fils or other authorized personnel
- offset option available upon request
- not protected against liquids (refer to IP20)
- additional charges for modifications or for special orders
- please refer to maintenance sheet on website for cleaning instructions

DIMMER SPECIFICATIONS

TESTED DIMMER COMPATIBILITY LIST - 120V*

Compatible with 0-10V, Phase dimming (leading edge or trailing edge**)

Dimmer brand	Model	Dimmer protocol	Min level	Max level
Lutron	TGCL-153P	Phase dimming	9%	98%
Leviton	VPE06	Phase dimming	14%	98%
Lutron	DVELV303P	Phase dimming	11%	98%
Lutron	SELV300P	Phase dimming	11%	98%
Lightolier	ZP260QEW	Phase dimming	11%	98%
Lutron	FAELV500	Phase dimming	17%	99%
Lutron	MAELV600	Phase dimming	18%	98%

TESTED DIMMER COMPATIBILITY LIST - 230V*

Compatible with 0-10V, Phase dimming (trailing edge only**)

Dimmer brand	Model	Dimmer protocol	Min level	Max level
Clipsal	32E450UDM	Phase dimming	31%	100%
Clipsal	32E450TM	Phase dimming	25%	100%

Some dimmers require a minimum load, check specifications.

*Other dimmers can yield good results and we recommend conducting your own test before final installation

**Leading edge is also known as TRIAC or Forward Phase. Trailing edge is also known as ELV or Reverse Phase.

EU ENERGY LABEL

