



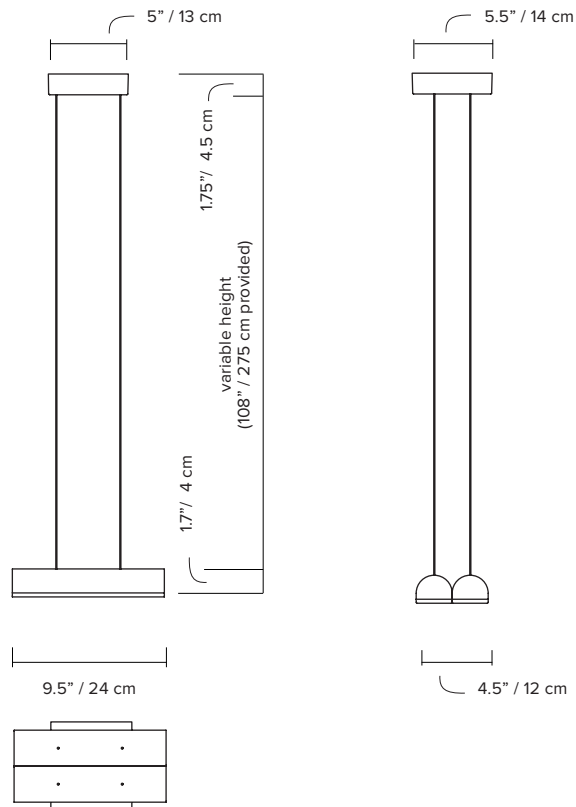


## HUTCHISON 02

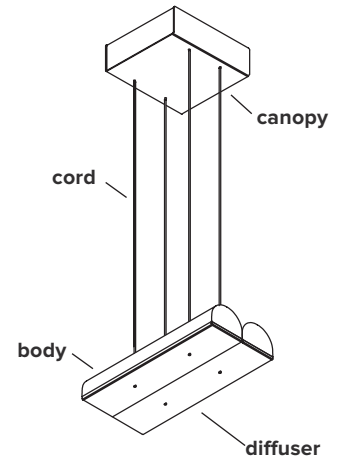
Hutchison is the thoughtful study of soft curves and hard lines—a rivalry of vertical and horizontal forces and a play of scale and repetition. Alone, it self-defines as a frank, decorative pendant light. In multiples, it evokes the iconic patterns of Middle Eastern archways and Roman terracotta roofs.

<b>type:</b>	suspension
<b>construction:</b>	powder coated or polished aluminum body PMMA frosted diffuser polyester cord
<b>specifications:</b>	source: LED array, integrated power consumption: 19W lumen output : 1524lm colour temperature: 2700K, dims to 2200K (Dim-to-Warm) colour rendering index: ≥90 CRI colour consistency: 3 SDCM expected lifetime: 50 000h
<b>control:</b>	120-277V: On/Off, 0-10V, Phase Dimming (120V only) 220-240V: On/Off, 0-10V, Phase Dimming (Trailing Edge only) refer to our recommended list of dimmer models
<b>cord length:</b>	108" / 275 cm
<b>weight:</b>	3.4lb / 1.6kg
<b>certifications:</b>	    IP20
<b>warranty:</b>	2 years

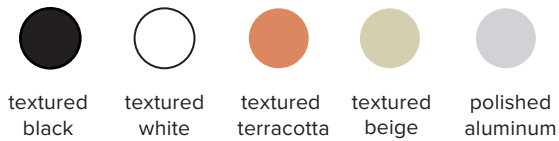


## ORDER GUIDE: SKU

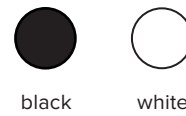
COLLECTION	MODEL	BODY	CORD	CANOPY
HUT hutchison	02	BK black WH white TC terracota BG beige AL aluminium	BK black WH white	BK black WH white TC terracota BG beige AL aluminium
HUT	02	BK	BK	BK = HUT02BKBKBK <b>example</b>



### FINISH



### CORD



### NOTES:

- must be installed by an electrician
- LED may only be changed by Lambert & Fils or other authorized personnel
- offset option available upon request
- not protected against liquids (refer to IP20)
- additional charges for modifications or for special orders
- please refer to maintenance sheet on website for cleaning instructions

## DIMMER SPECIFICATIONS

### TESTED DIMMER COMPATIBILITY LIST - 120V\*

Compatible with 0-10V, Phase dimming (leading edge or trailing edge\*\*)

Dimmer Brand	Dimmer Model	Dimmer protocol	Min level	Max level
Leviton	VPE06	Phase dimming	8%	100%
Lutron	DVELV303P	Phase dimming	5%	100%
Lutron	SELV300P	Phase dimming	5%	100%
Lightolier	ZP260QEW	Phase dimming	8%	100%
Lutron	FAELV500	Phase dimming	10%	100%
Lutron	MAELV600	Phase dimming	10%	100%
Leviton	IPE04	Phase dimming	10%	100%

### TESTED DIMMER COMPATIBILITY LIST - 230V\*

Compatible with 0-10V, Phase dimming (trailing edge only\*\*)

Dimmer Brand	Model	Dimmer protocol	Min level	Max level
Clipsal	32E450UDM	Phase dimming	22%	100%
Clipsal	32E450TM	Phase dimming	17%	100%

Some dimmers require a minimum load, check specifications.

\*Other dimmers can yield good results and we recommend conducting your own test before final installation

\*\*Leading edge is also known as TRIAC or Forward Phase. Trailing edge is also known as ELV or Reverse Phase.

## EU ENERGY LABEL

