
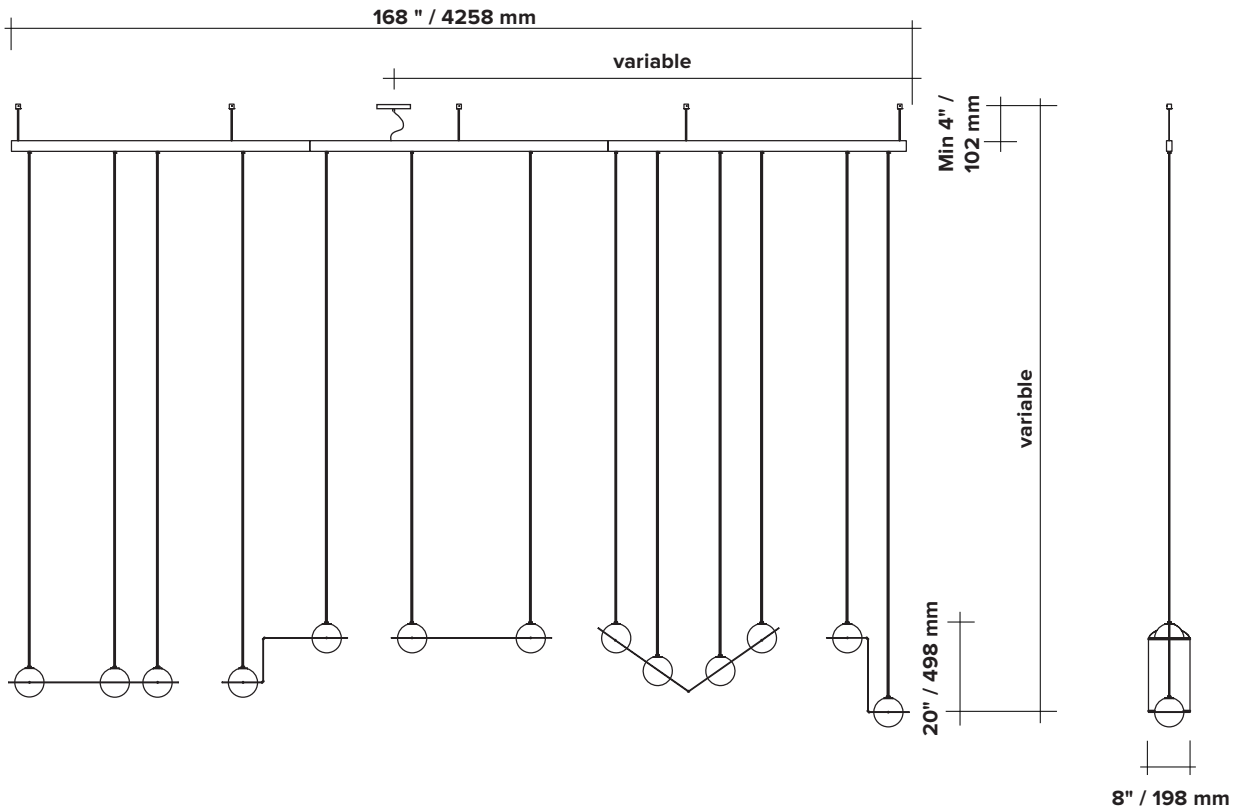


LAURENT 18

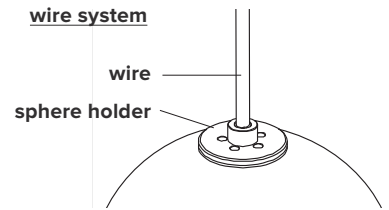
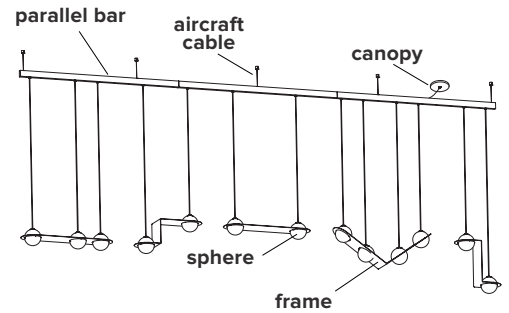


- type** suspension
- materials**
 - sphere: handblown opaline glass
 - frame: polished brass or powder coated aluminum or nickel plated steel
 - hardware: polished brass or powder coated aluminium
 - wire: nylon
- total height** height to be specified upon order
- weight** starts at 55 lb / 25 kg
- light bulb** LED (included), 13 x 4.5W
- sockets** G9
- voltage** 120V / 240V
- dimmer** refer to our recommended list of dimmer models
- certifications** 
- notes**
 - must be installed by an electrician;
 - additional charges for modifications;
 - lead time between 12 to 15 weeks;
 - dimensions are approximate and may vary slightly.



ORDER GUIDE: SKU

COLLECTION	MODEL	COLOUR (frame + wire system)	CANOPY
LRT Laurent	18	BLBL black + black BRBL brass + black BRGD brass + gold CHBL chrome + black CHBE chrome + blue BEBL blue + black BEBE blue + blue BUBL burgundy + black BUSA burgundy + sand BUBU burgundy + burgundy TUBL turquoise + black TUSA turquoise + sand	BL black
LRT	18	BLBL	BL = LRT18BLBLBL example



FRAME COLOUR



black



blue



burgundy



turquoise



brass



chrome

MOUNTING COLOUR sphere holder & wire



black



blue



burgundy



sand



gold

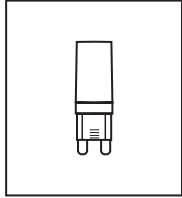
CANOPY COLOR



black

LIGHT BULB & DIMMER SPECIFICATIONS

G9 SOCKETS



Frosted
4.5W
100V-120V / 240V
450 Lumens
2700 K
25 000 H
CRI ≥80
2 years warranty



DIMMER LIST COMPATIBILITY FOR G9 LED BULBS – 120V

The dimming technology offering the best results is ELV (electronic low voltage) dimmers with reverse phase or trailing edge control.

<u>DIMMER BRAND</u>	<u>MODEL NUMBER</u>	<u>MAX LEVEL</u>	<u>MIN LEVEL</u>	<u>FLICKERING</u>	<u>OVERALL QUOTE</u>
LUTRON - MAESTRO	MAELV-600	100%	0%	0%-10%	good
LUTRON - SKYLARK	SELV-300P	100%	0%	no	very good
LUTRON - SKYLARK	SELV-303P	100%	0%	no	very good
LUTRON - SKYLARK	CTELV-303P	100%	0%	no	very good
LUTRON - DIVA	DVELV-300P	100%	0%	no	very good
LEGRAND - ADORNE	TRUE UNIVERSAL	100%	30%	no	good

DIMMER LIST COMPATIBILITY FOR G9 LED BULBS – 230V

<u>DIMMER BRAND</u>	<u>MODEL NUMBER</u>	<u>MAX LEVEL</u>	<u>MIN LEVEL</u>	<u>FLICKERING</u>	<u>OVERALL QUOTE</u>
VARILIGHT	V-PRO	100%	2%	no	very good
LEGRAND - NILOÉ	3 996 35	87%	15%	no	good
NIKO	310-0280X	94%	5%	no	very good
NIKO	310-0190X	100%	1%	no	very good

*Other dimmers can yield good results and we recommend conducting your own test before final installation.