

LAURENT 16

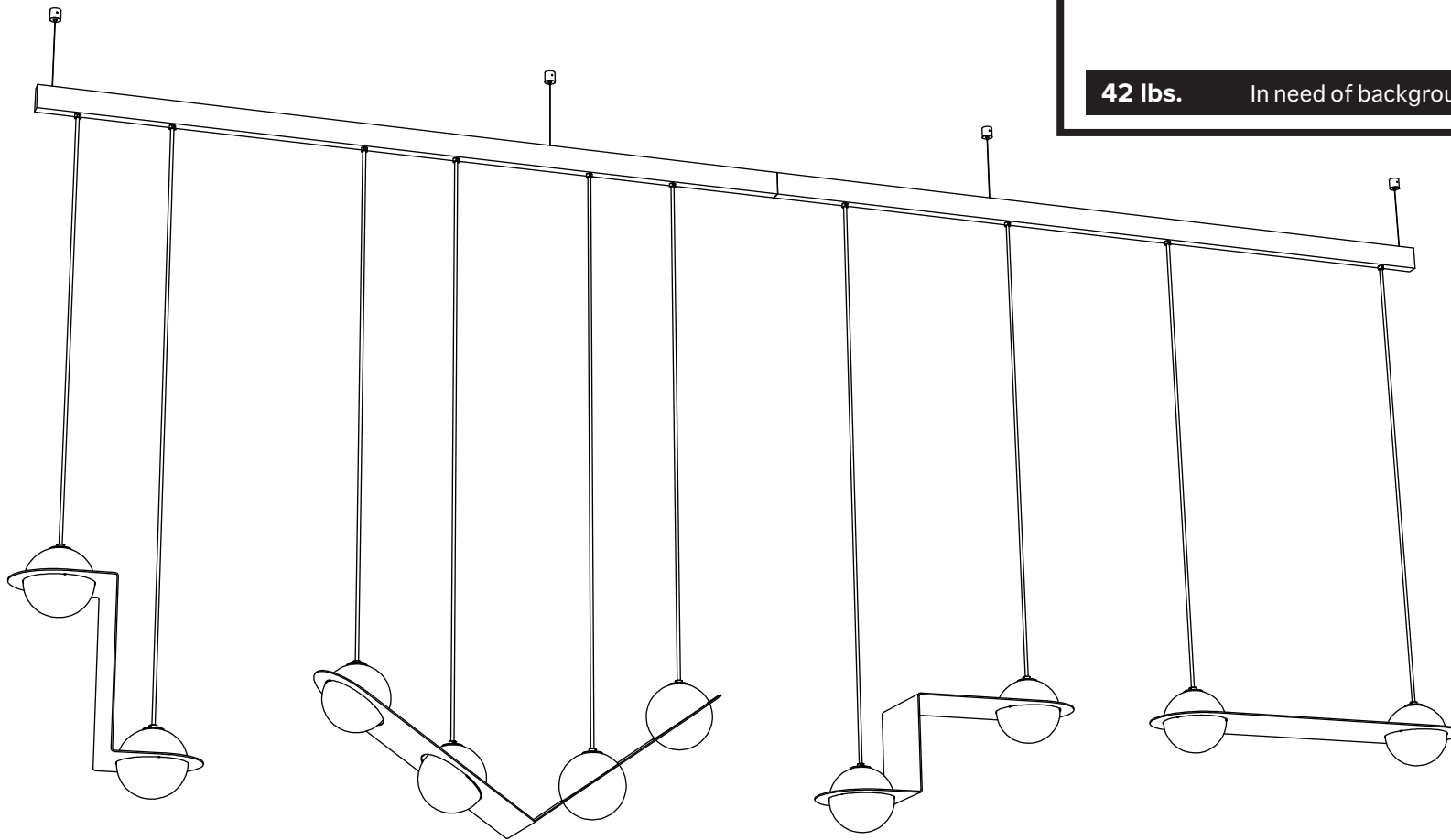


- To be installed by an electrician to an electrical box
- Use appropriate screws and anchors where necessary
- Wear enclosed gloves when handling lamp
- Handle materials with care. Please consult lamp maintenance sheet on our web site
- Should be used exclusively as a lamp and not as a shelving, display or hanging unit

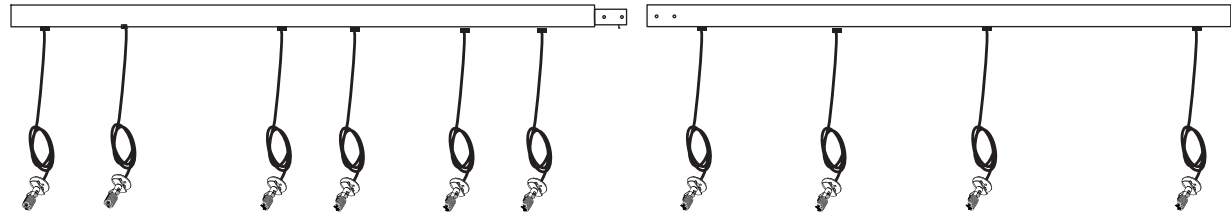


42 lbs.

In need of background nailing

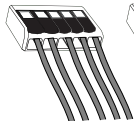
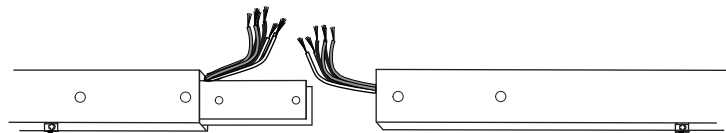


To ensure easy assembly and efficient shipping, the lamp has been shipped as two parts that are assembled together



1

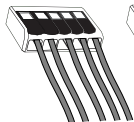
Make connection between bars.



green

white
(neutral)

black
(live)



green/
yellow

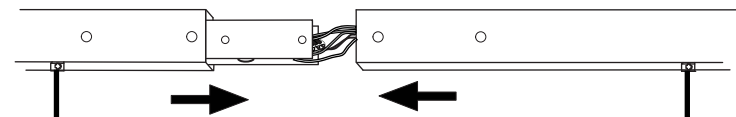
blue
(neutral)

brown
(live)



2

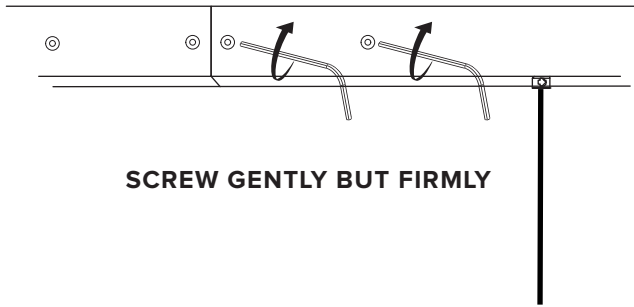
Carefully place wires and Waggos in between connecting plates of the bars before sliding the bars together.



Ensure no wires are clipped or pinched during this operation.



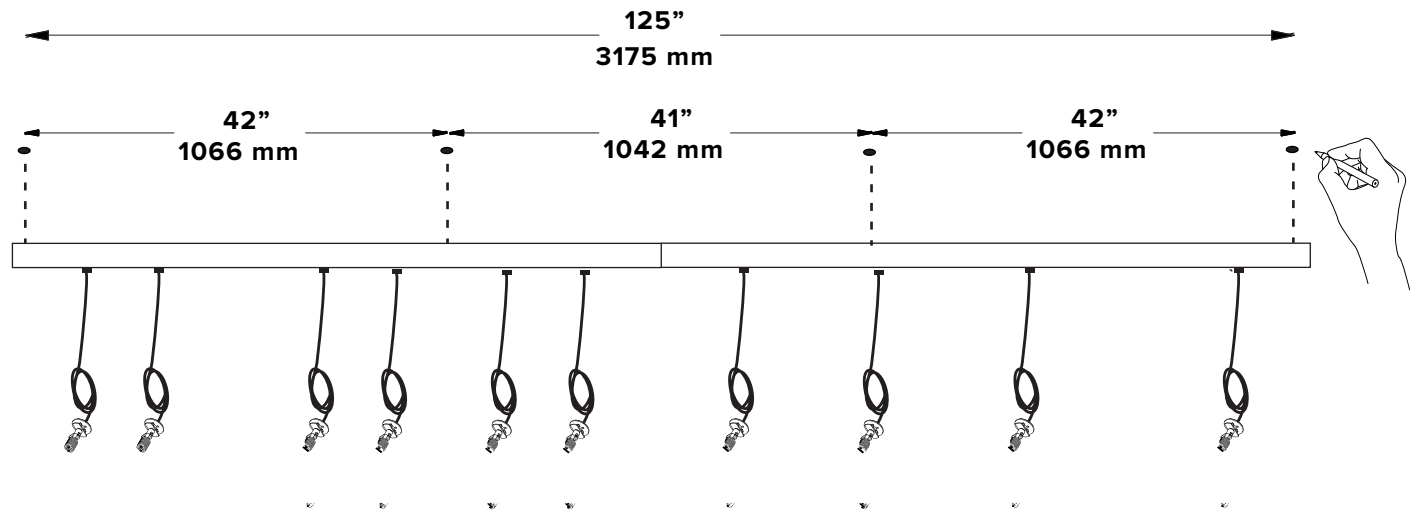
3



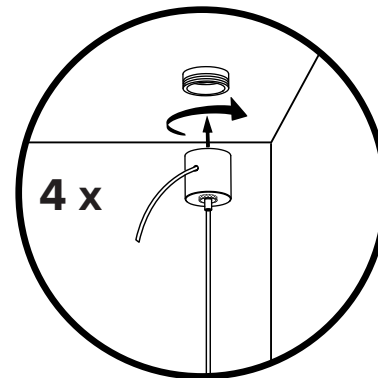
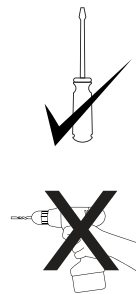
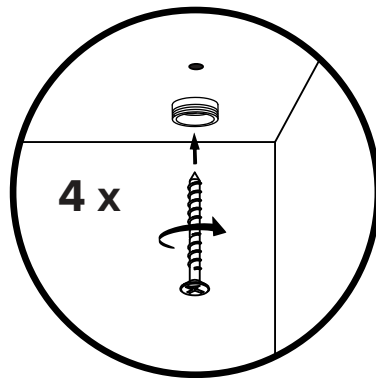
SCREW GENTLY BUT FIRMLY

4

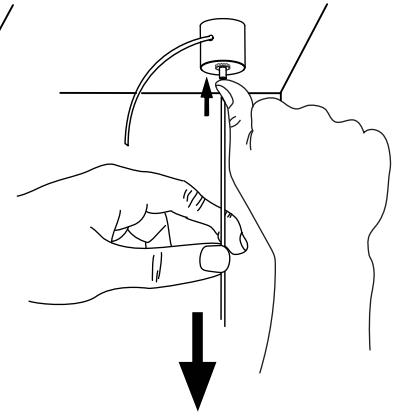
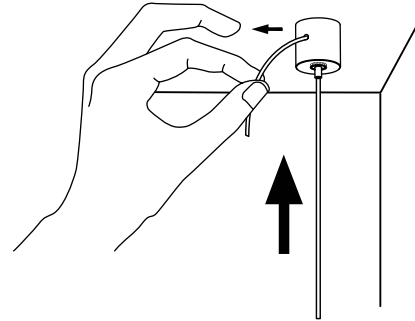
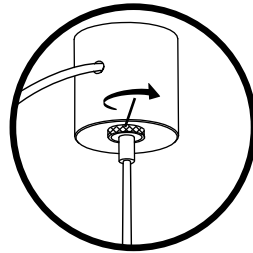
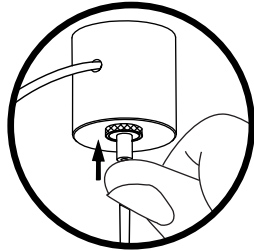
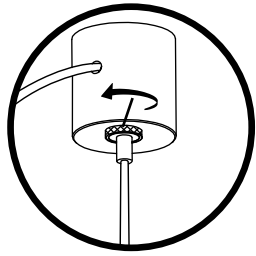
Mark anchor locations using your electrical box and canopy as a guide



5



6

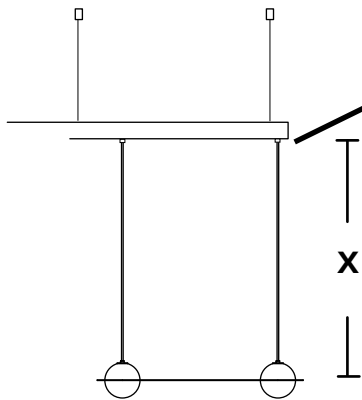
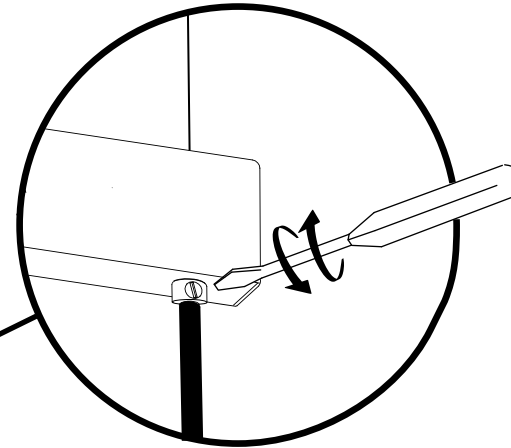


7

Trim wires to desired length (X).

Do not leave a large excess of wires inside the canopy.

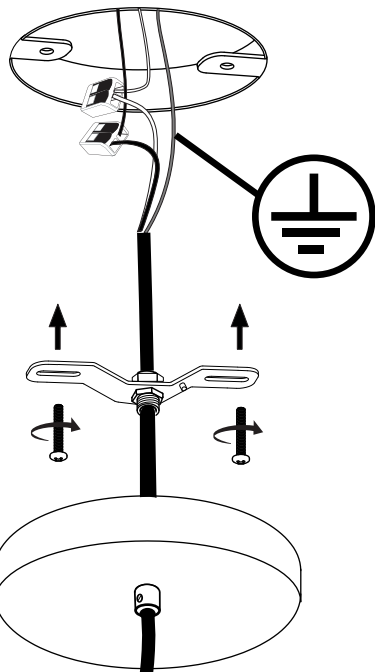
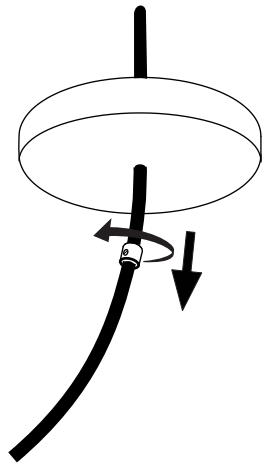
Reconnect them as before. Do this step before making electrical connection.



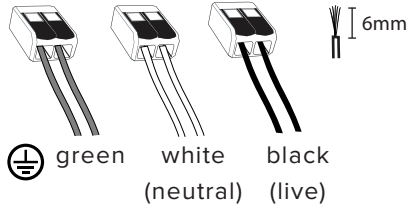
Loosen set screw to adjust wire length. Screw back gently but firmly, when desired wire length is reached.

8

Unscrew and lower canopy strain relief.

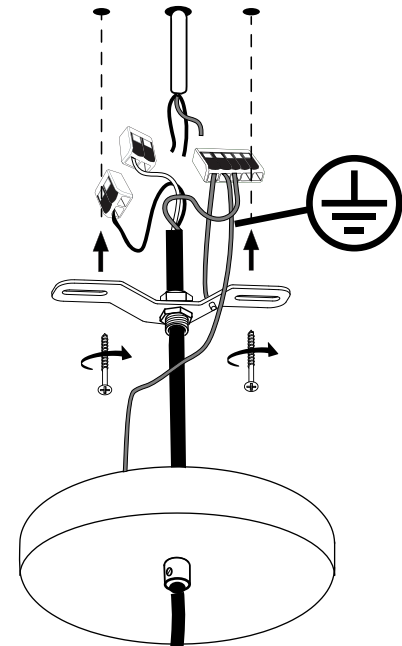


UL
LISTED

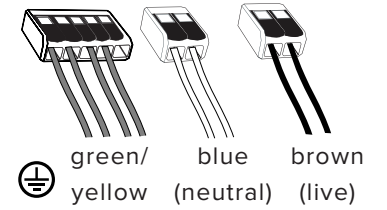


9

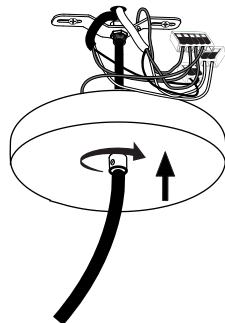
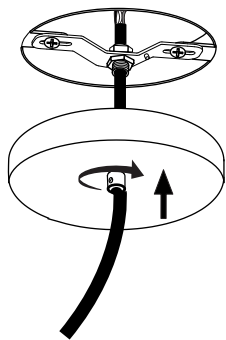
Make connection. Wire exit point from lamp will vary depending on requested location.



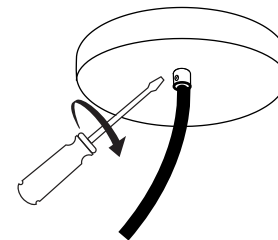
CE

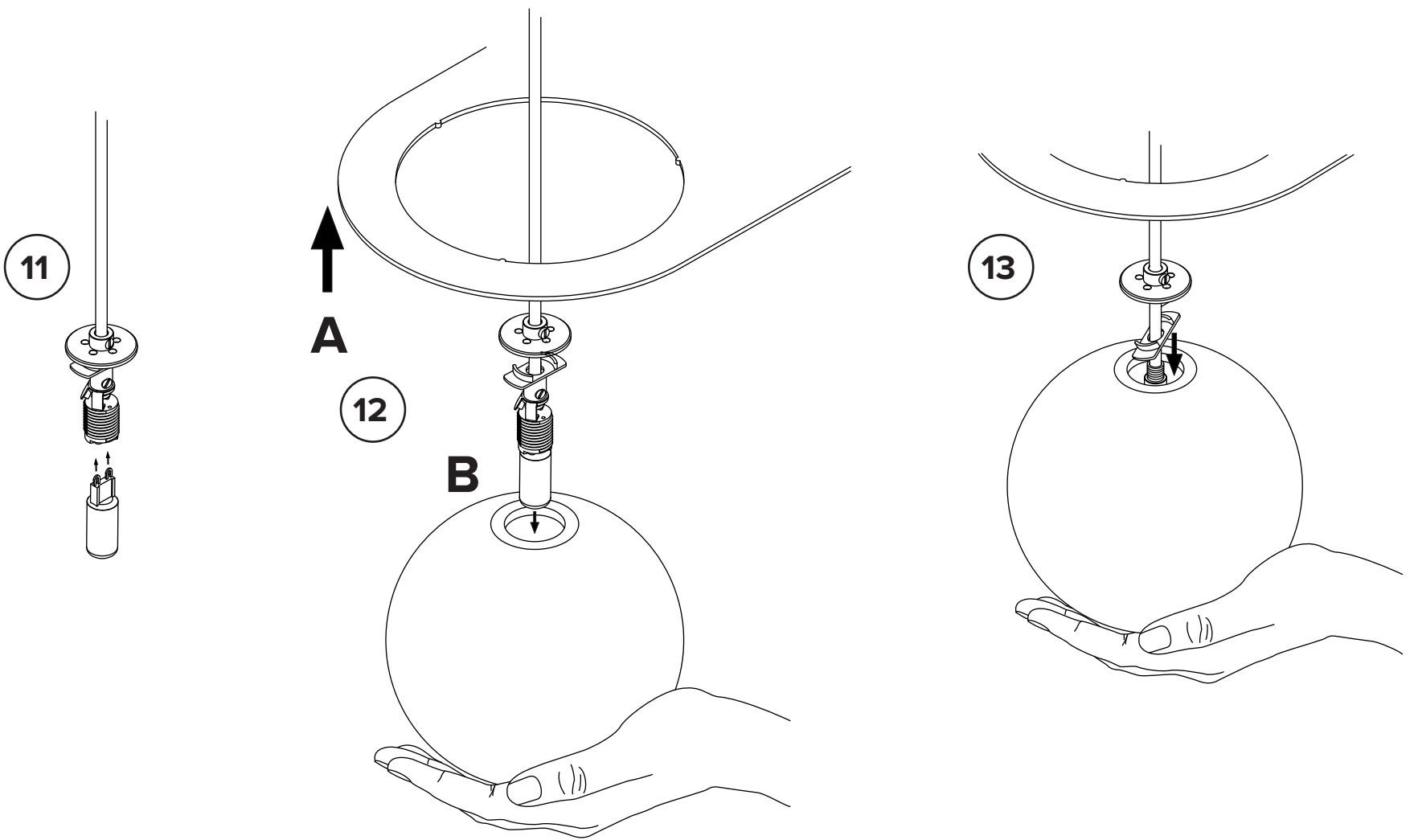


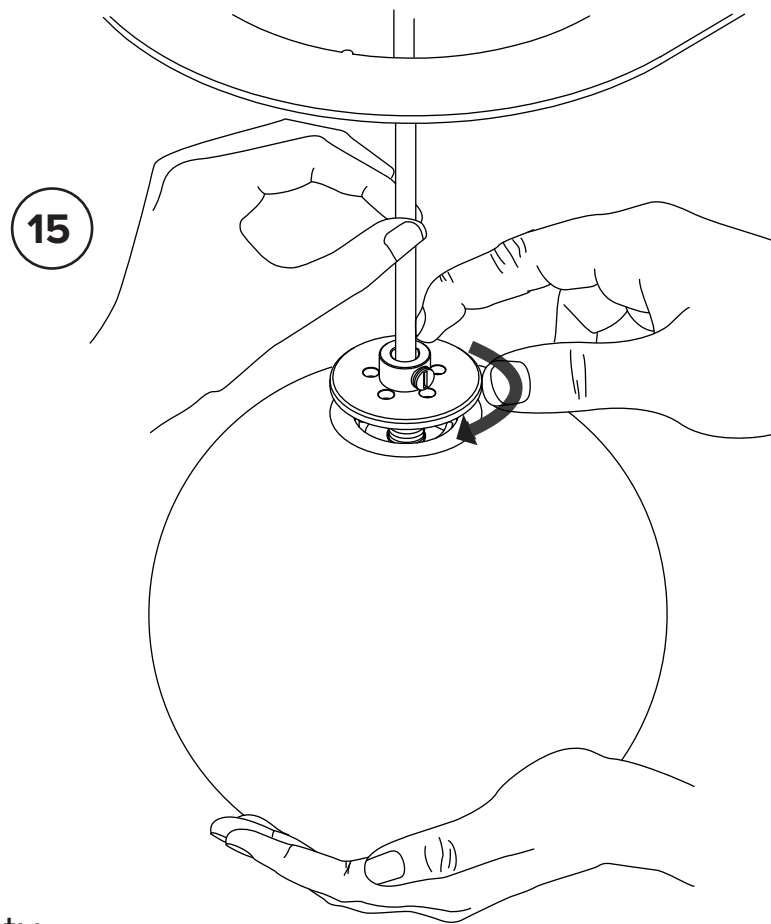
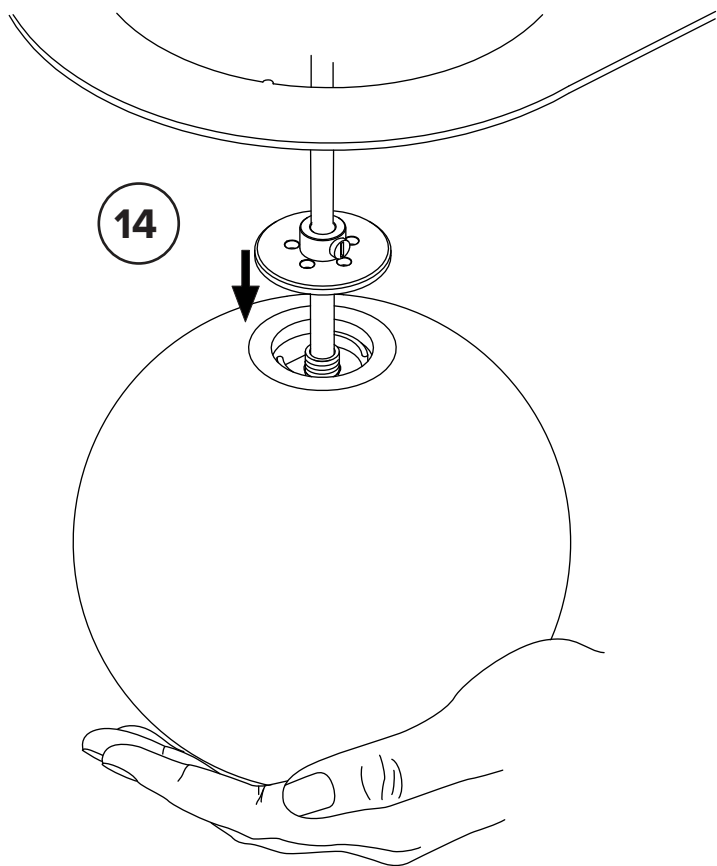
10



11

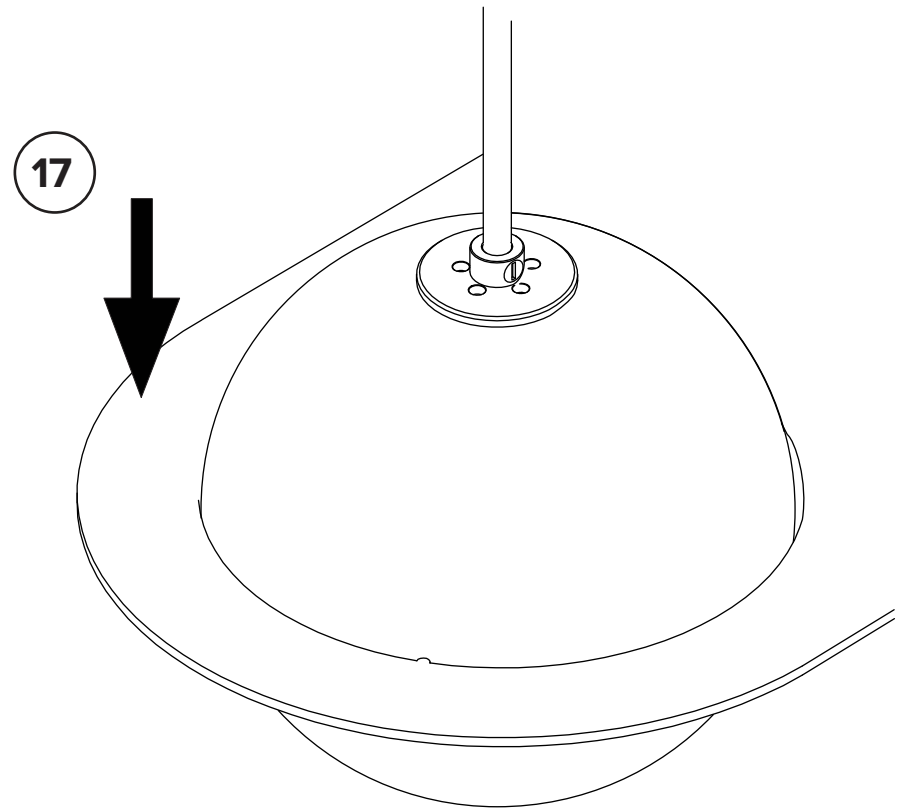
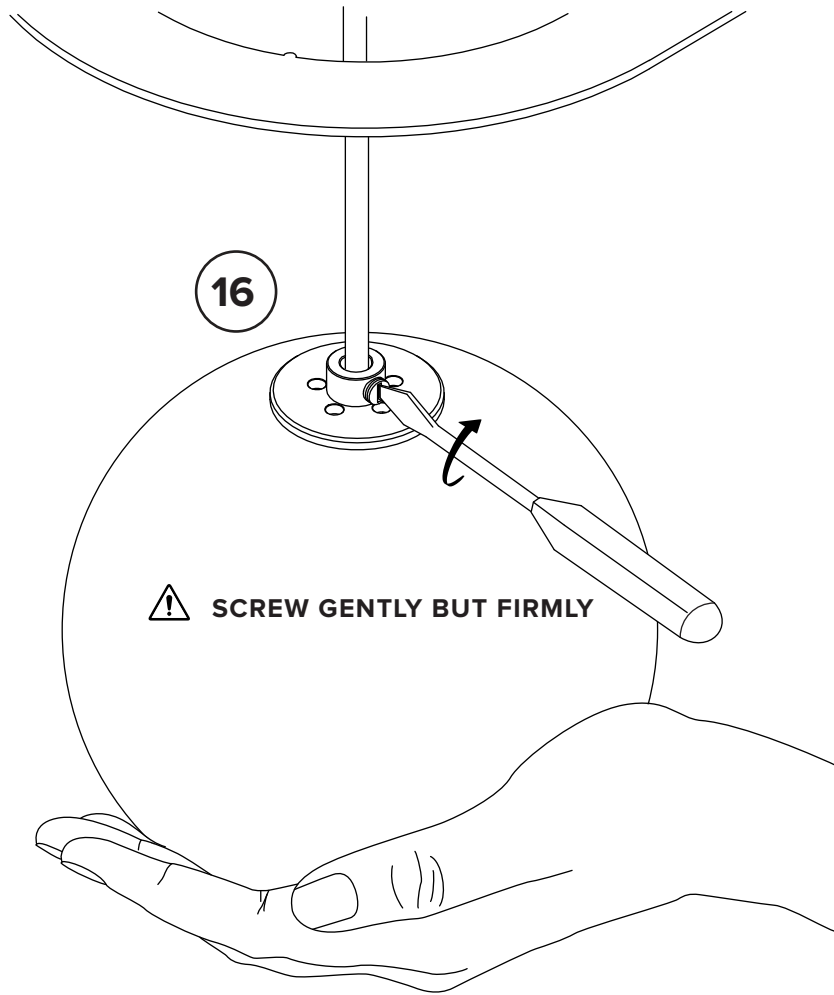






* To ensure safety,
**PLEASE FOLLOW THESE STEPS
CAREFULLY**

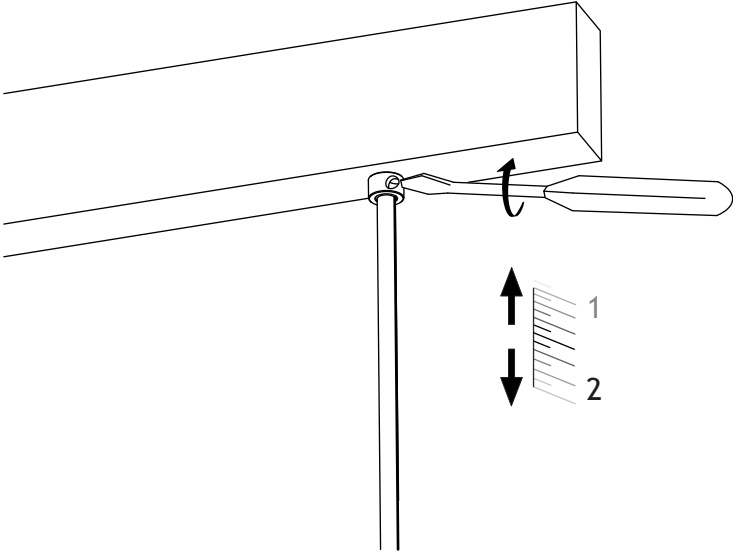
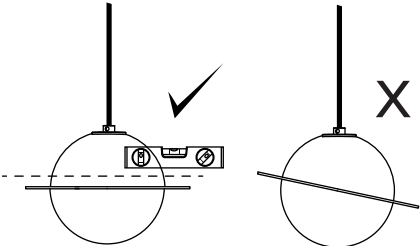
* To ensure safety,
**PLEASE FOLLOW THESE STEPS
CAREFULLY**



18

Make sure the globes are level by micro-adjusting the wire lengths.

SCREW GENTLY BUT FIRMLY



19

Trim cables when final height and level are achieved

