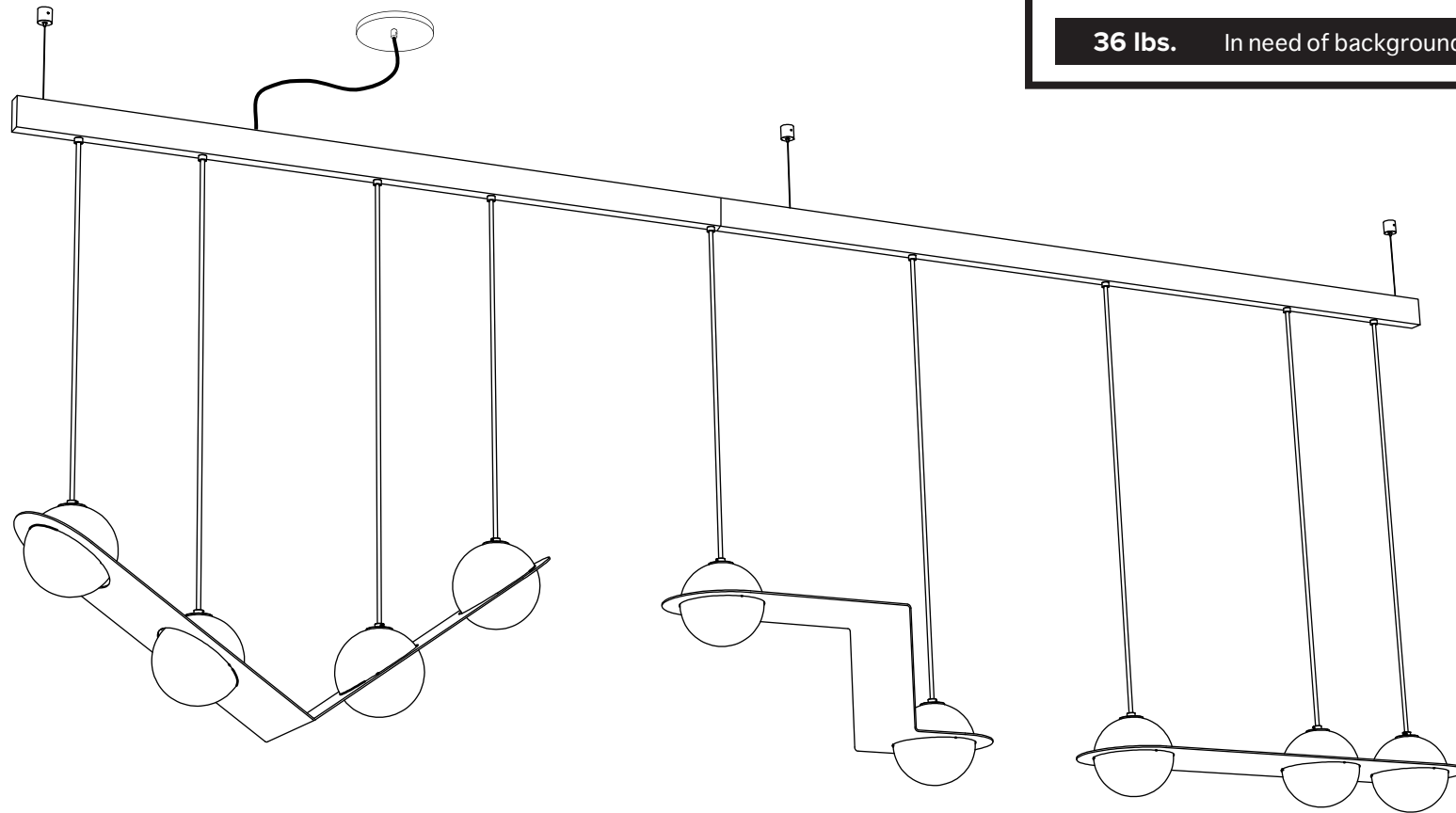


# LAURENT 13

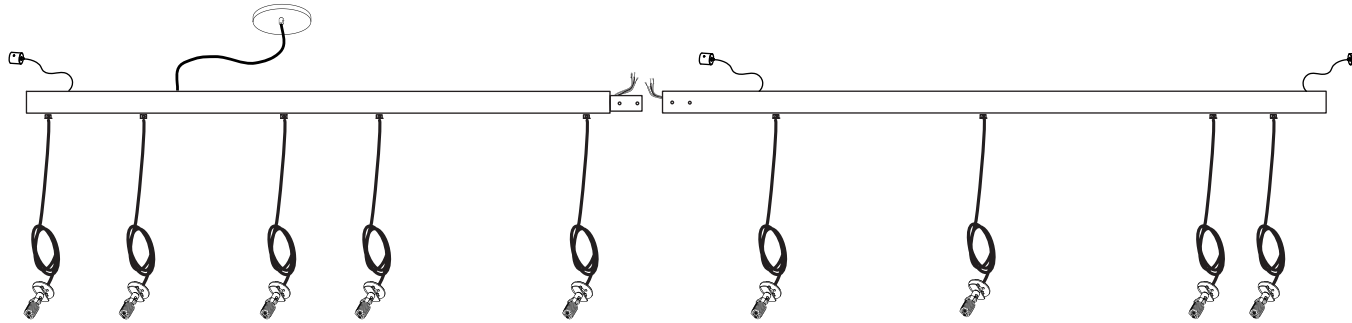


- To be installed by an electrician to an electrical box
- Use appropriate screws where necessary
- Wear enclosed gloves when handling lamp
- Handle materials with care. Please consult lamp maintenance sheet on our web site
- Should be used exclusively as a lamp and not as a shelving, display or hanging unit



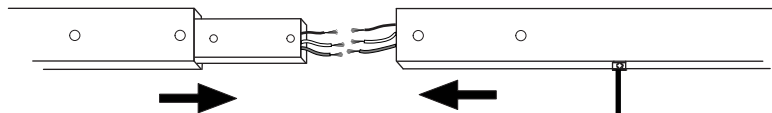
**36 lbs.** In need of background nailing

# LAURENT 13

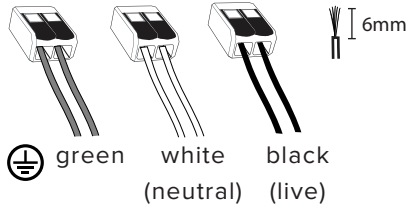


1

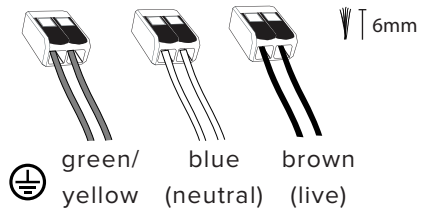
Make connection between bars.



c **UL** US  
LISTED

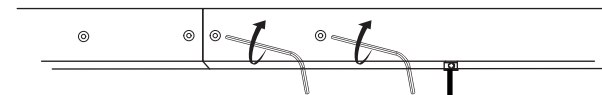


CE



2

Carefully place wires and Wa gos in between connecting plates of the bars before sliding the bars together.



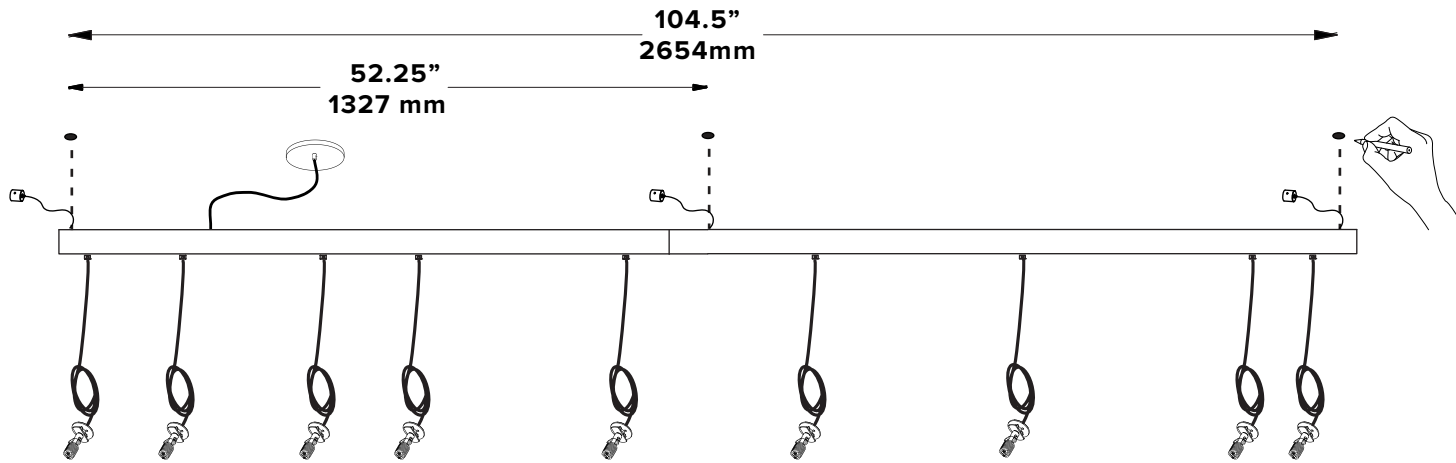
Ensure no wires are clipped or pinched during this operation.



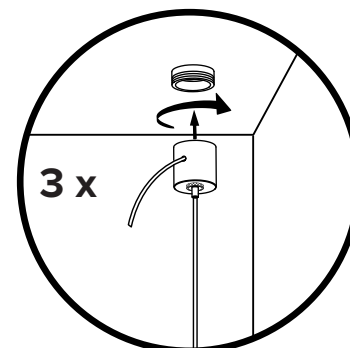
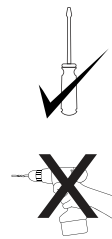
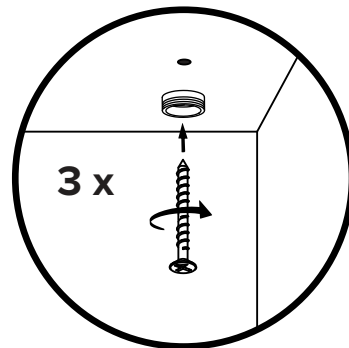
# LAURENT 13

4

Mark anchor locations using your electrical box and canopy as a guide.



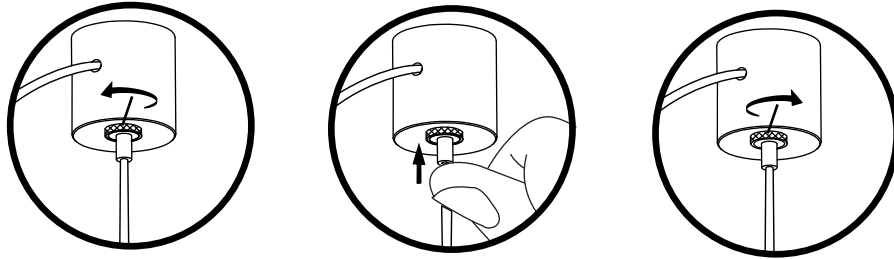
5



USE APPROPRIATE ANCHORS

# LAURENT 13

6

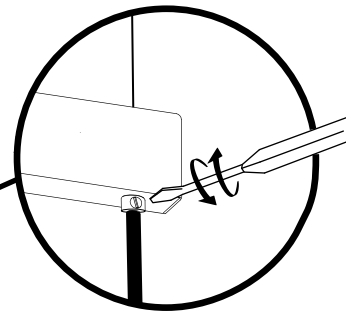
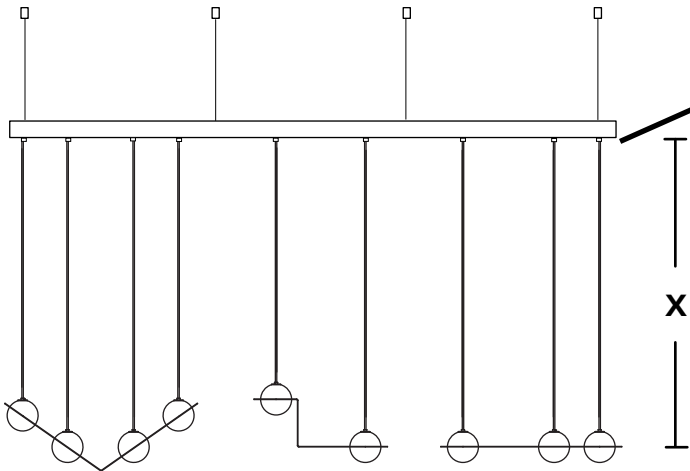


7

Trim wires to desired length (X).

Do not leave a large excess of wires inside the canopy.

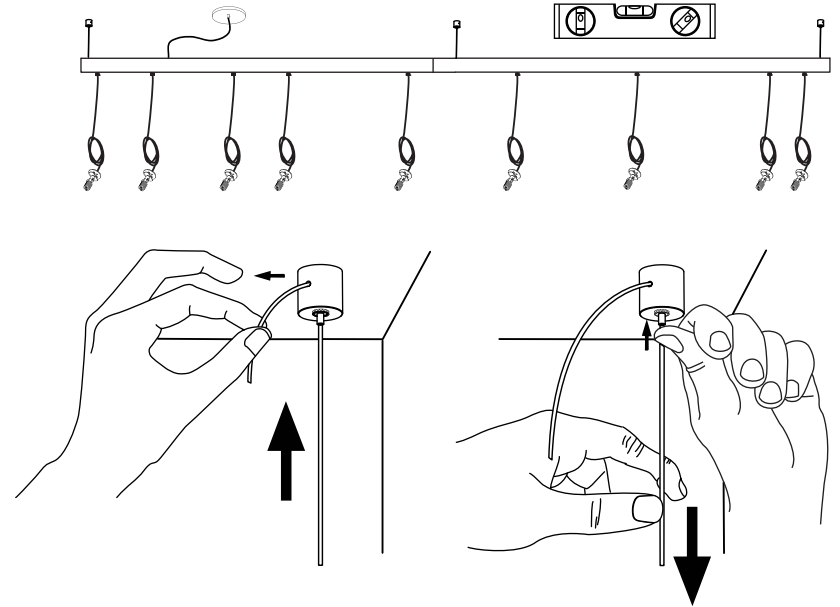
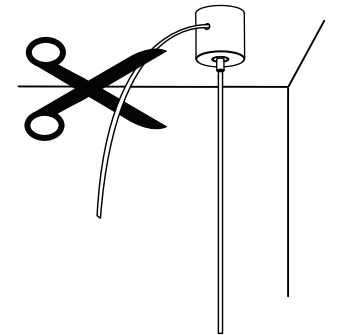
Reconnect them as before. Do this step before making electrical connection.

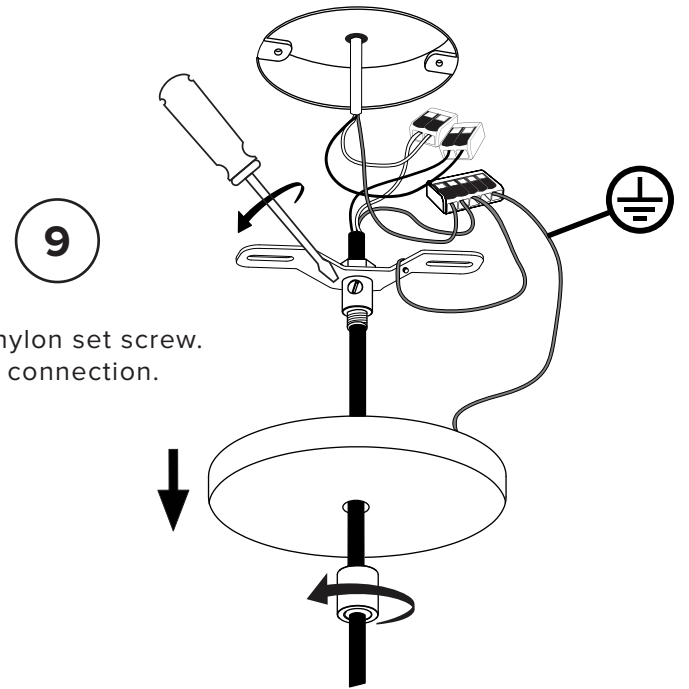
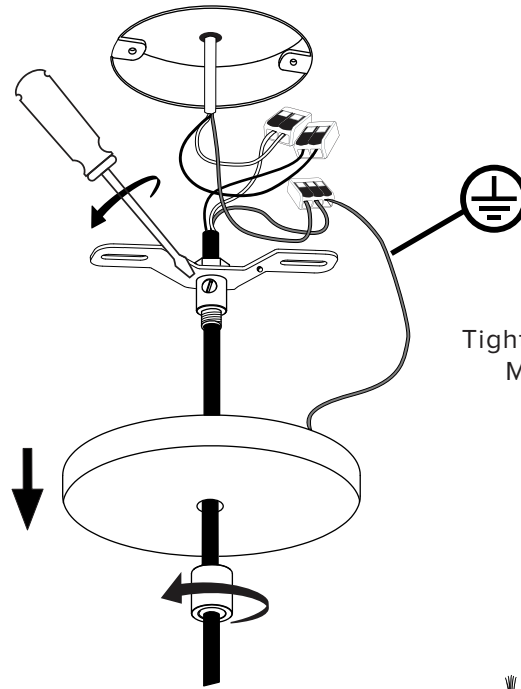
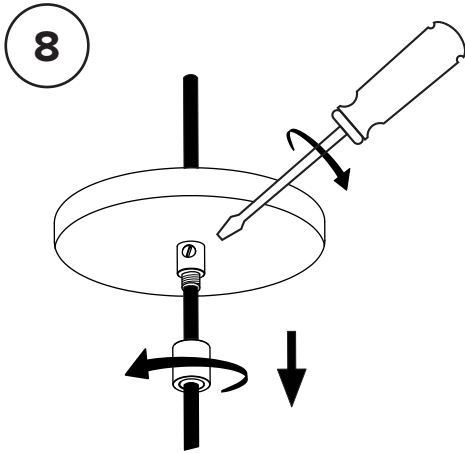


Loosen set screw to adjust wire length. Screw back gently but firmly, when desired wire length is reached.

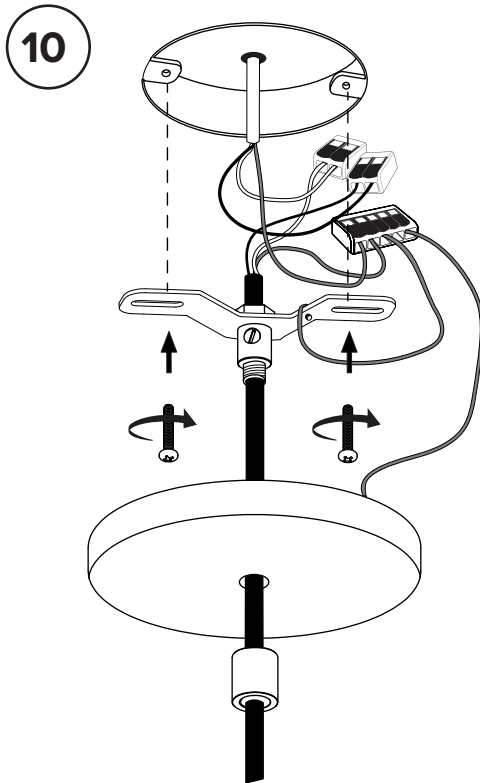
8

Trim extra cable when desired level and height are achieved

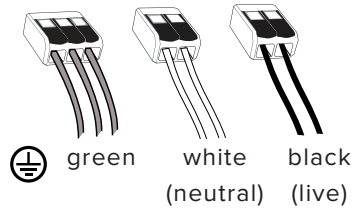




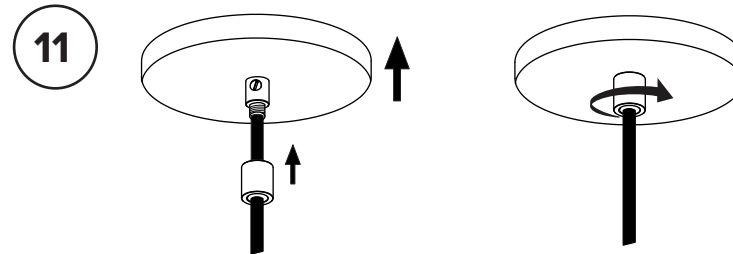
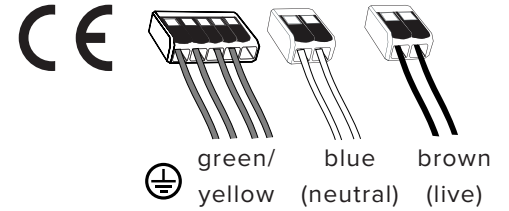
Tighten nylon set screw.  
Make connection.



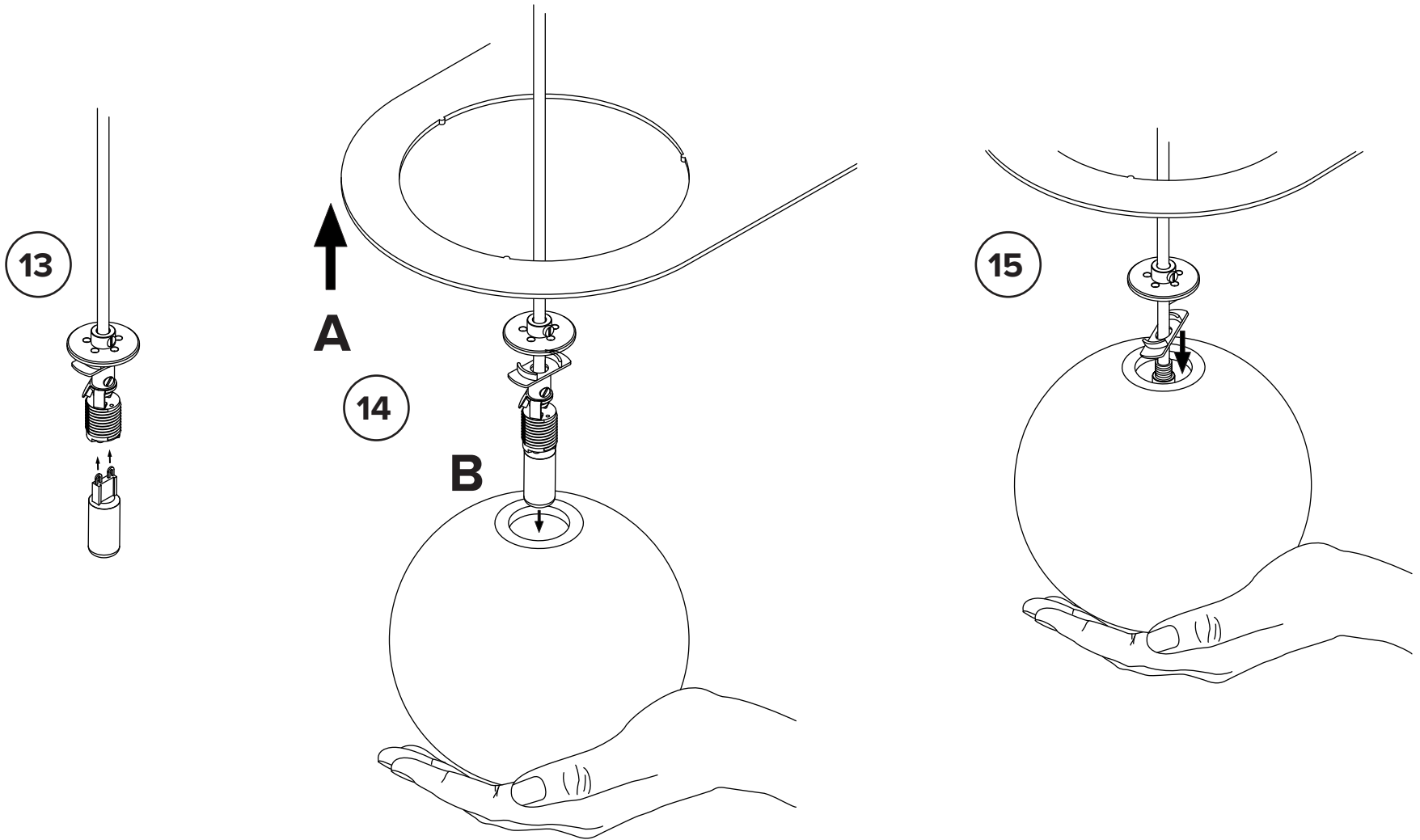
c **UL** US  
LISTED



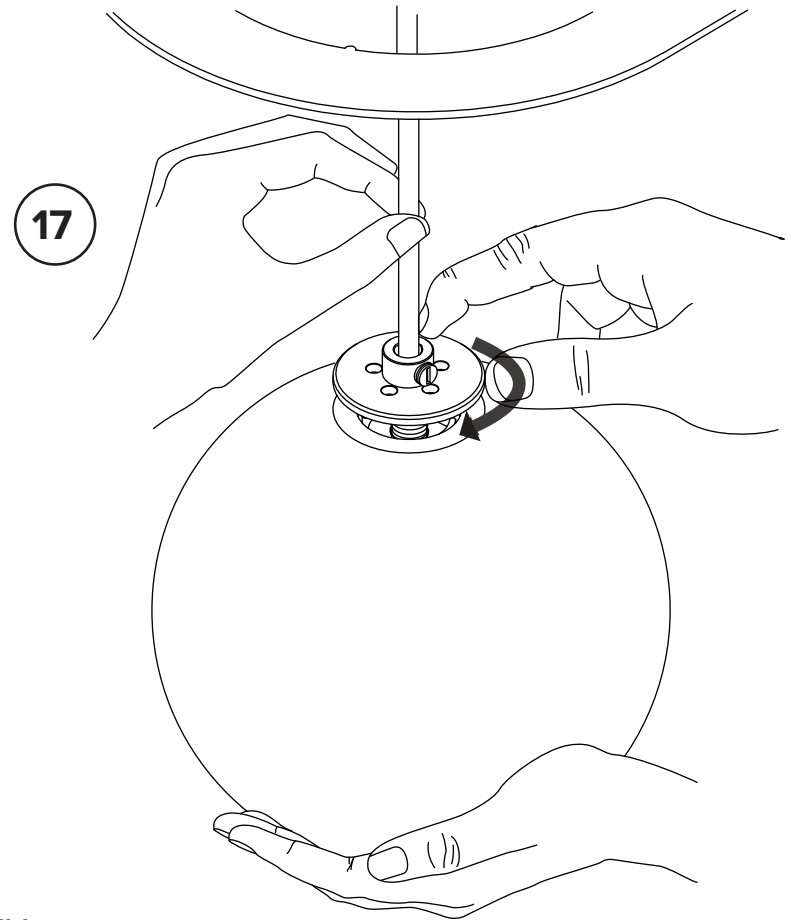
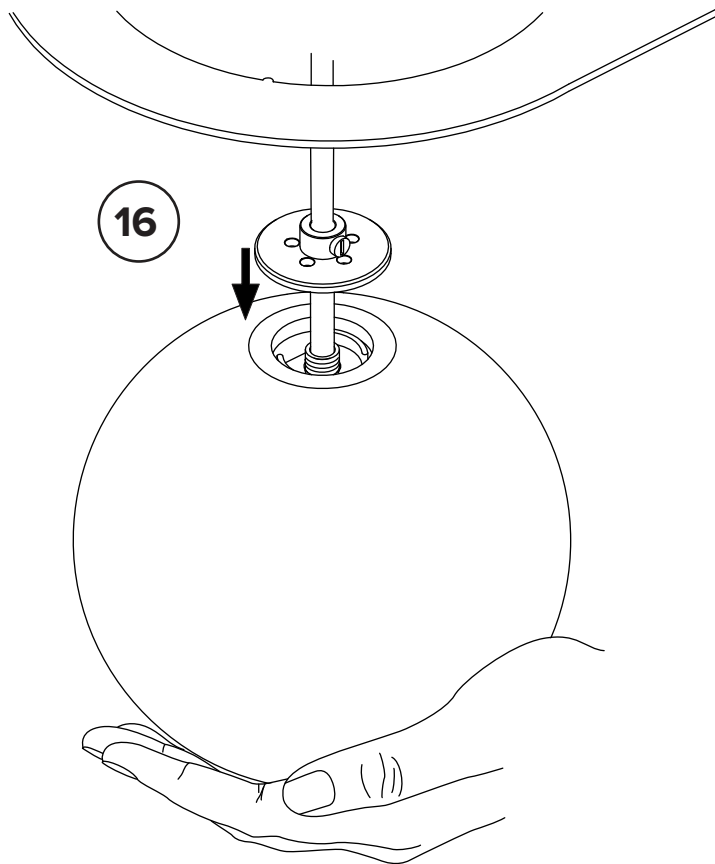
6mm



**LAURENT 13**



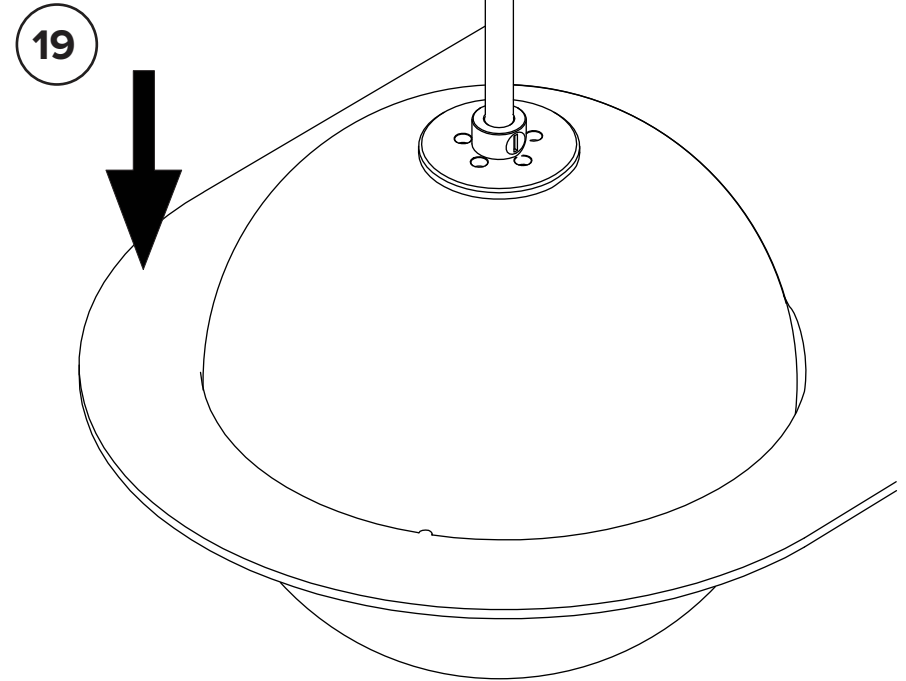
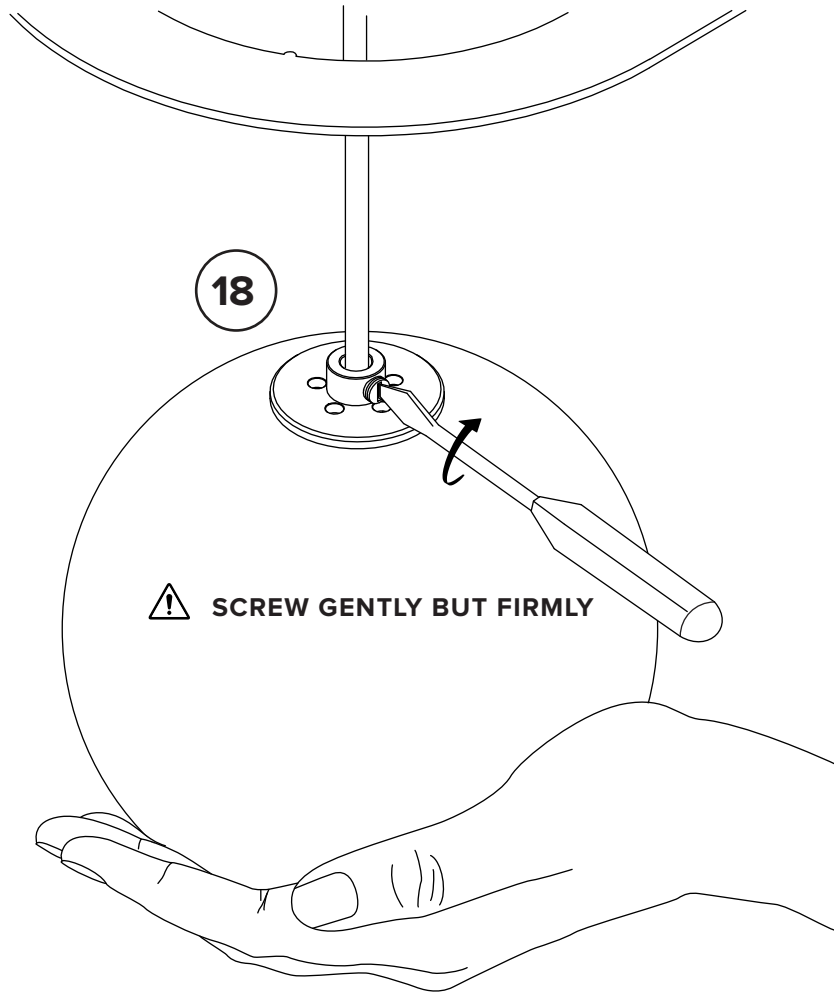
**LAURENT 13**



To ensure safety,  
**PLEASE FOLLOW THESE STEPS  
CAREFULLY**

## **LAURENT 13**

To ensure safety,  
**PLEASE FOLLOW THESE STEPS  
CAREFULLY**





# LAURENT 13

20

Make sure the globes are level by micro-adjusting the wire lengths.

**SCREW GENTLY BUT FIRMLY**

