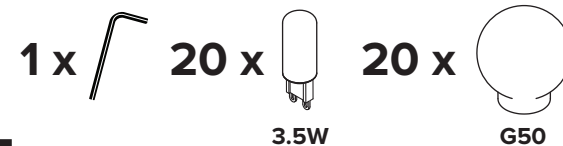
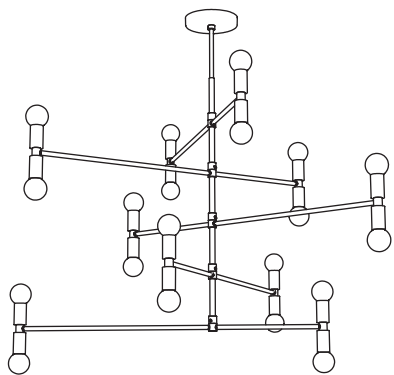
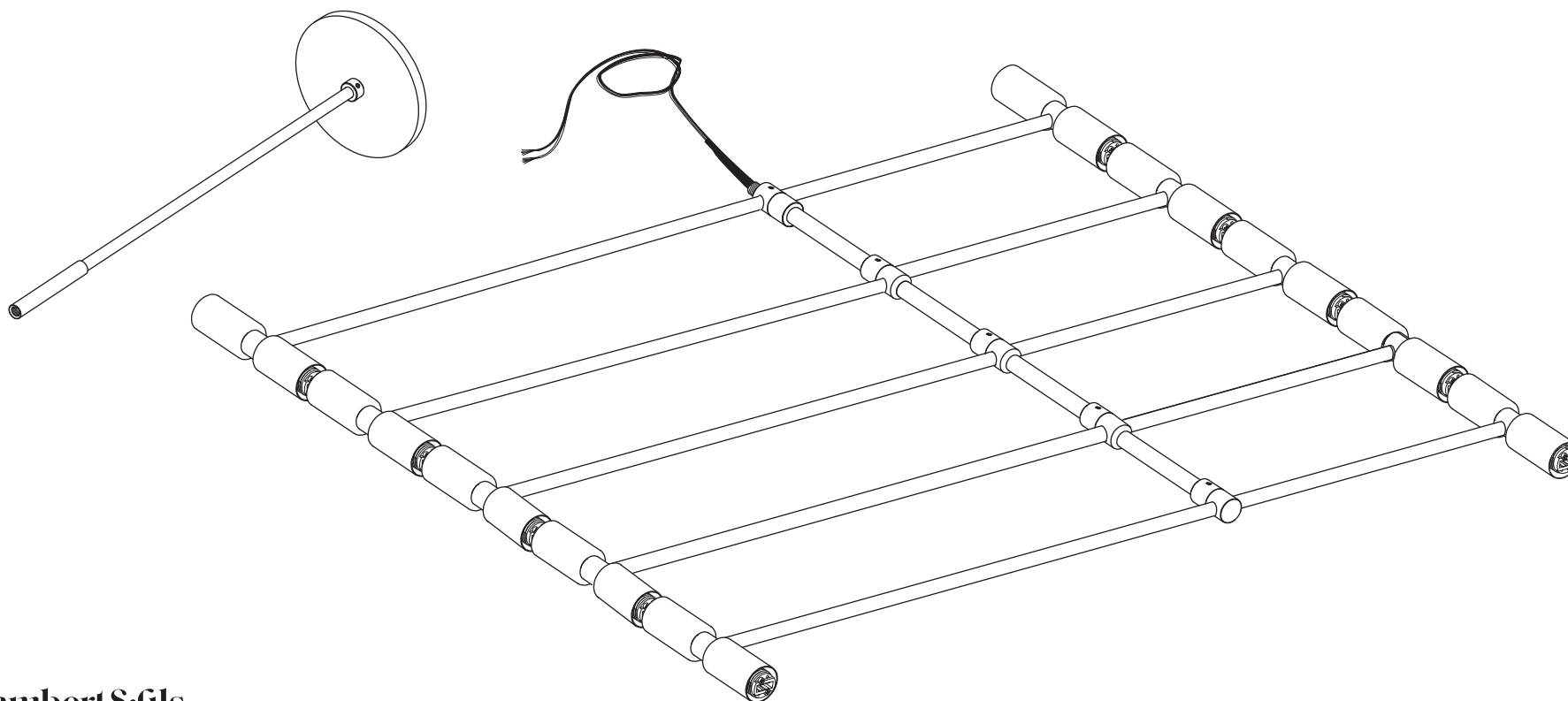


# ATOMIUM -DOT 14

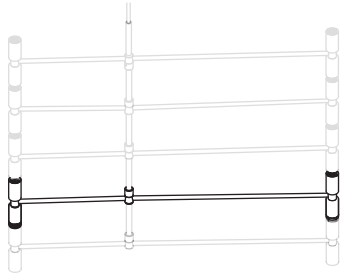


- To be installed by an electrician to an electrical box
- Use appropriate screws and anchors where necessary
- Wear enclosed gloves when handling lamp
- Handle materials with care. Please consult lamp maintenance sheet on our web site

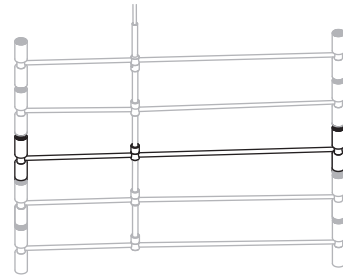


1

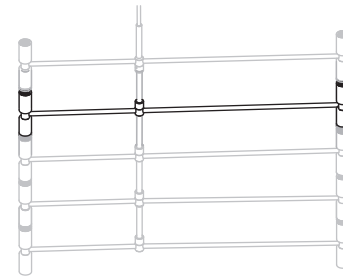
A



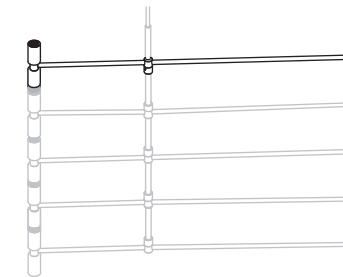
B



C

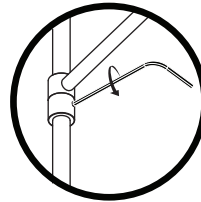


D

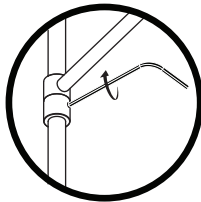


To ensure that your lamp is properly balanced, **PLEASE FOLLOW THESE STEPS CAREFULLY**

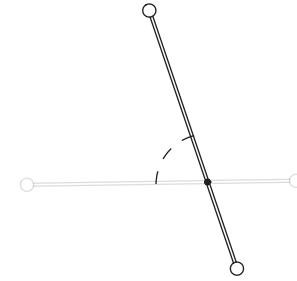
\* Screw gently, but firmly



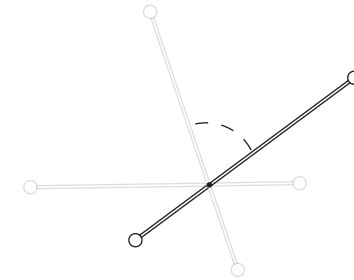
Loosen



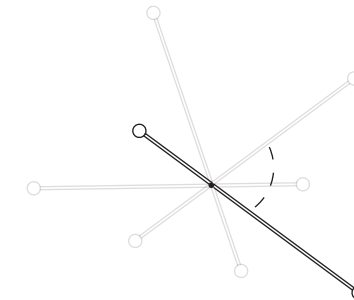
Tighten



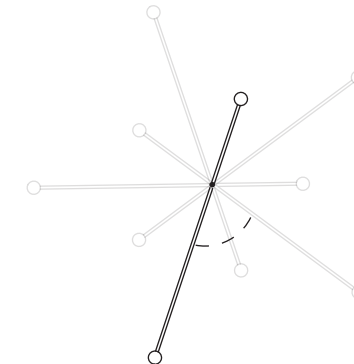
72°



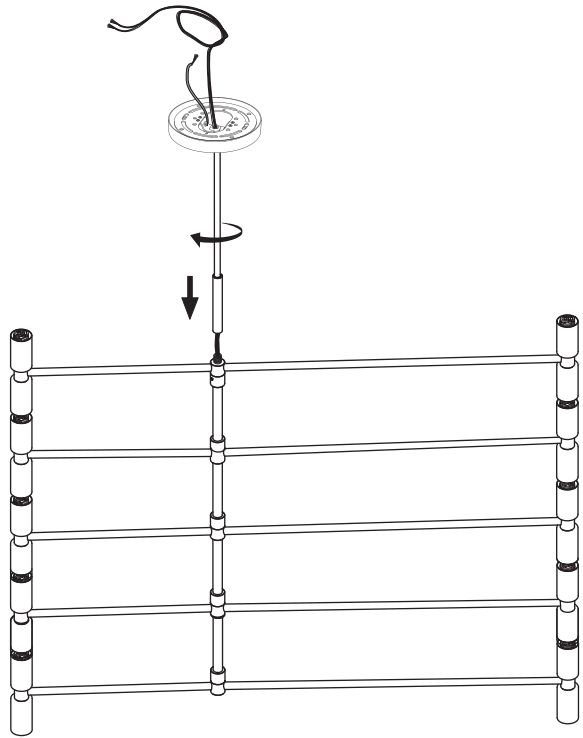
72°



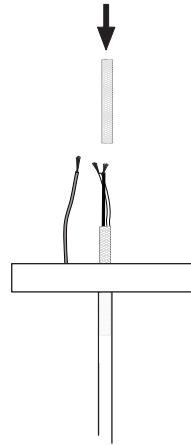
72°



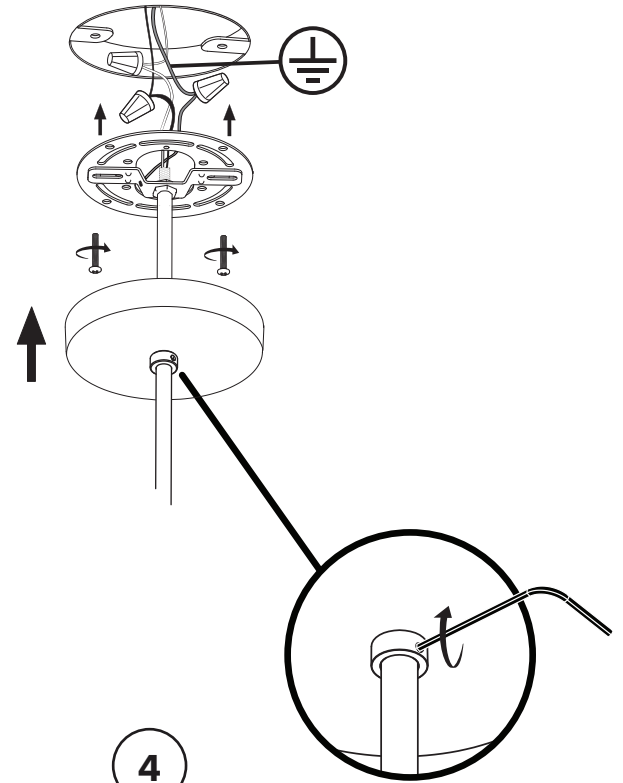
72°



2



3



4

\* Screw gently, but firmly

