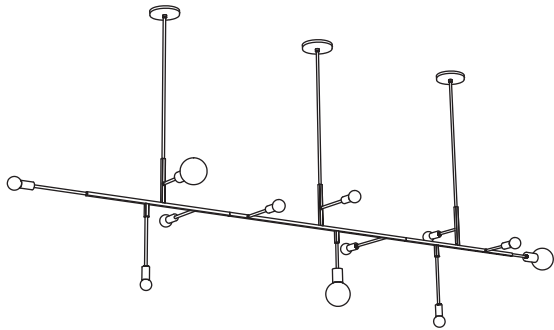

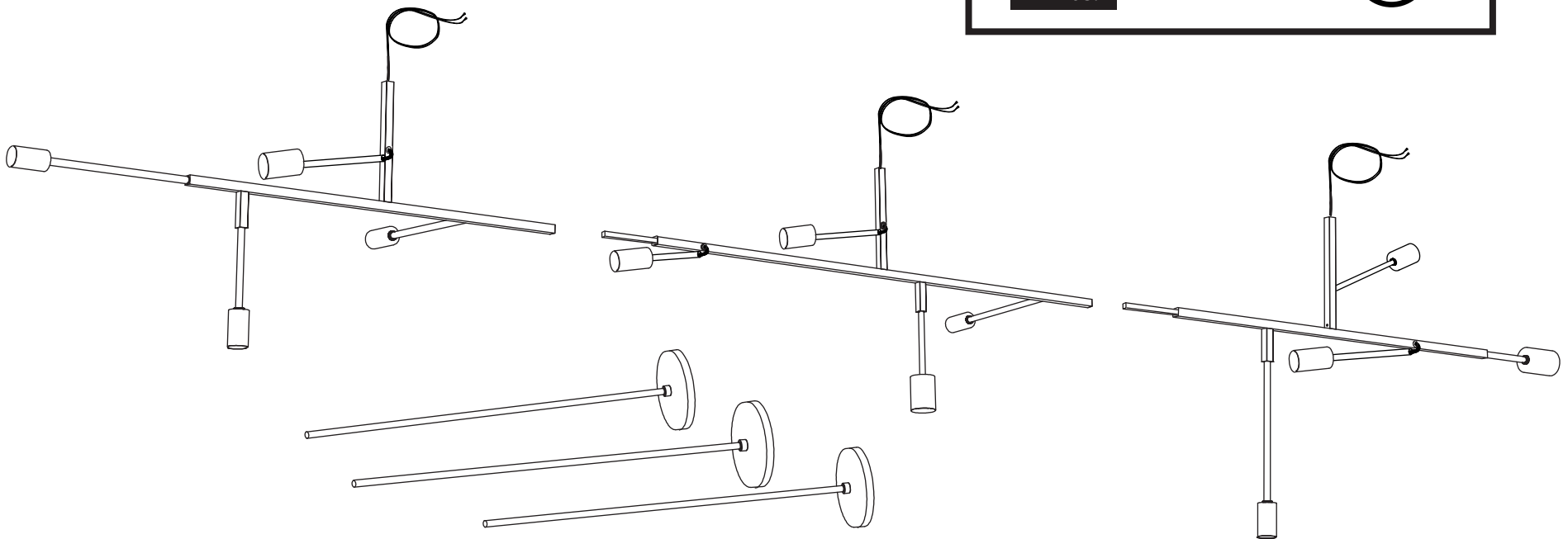


# CLIFF SUSPENSION 08



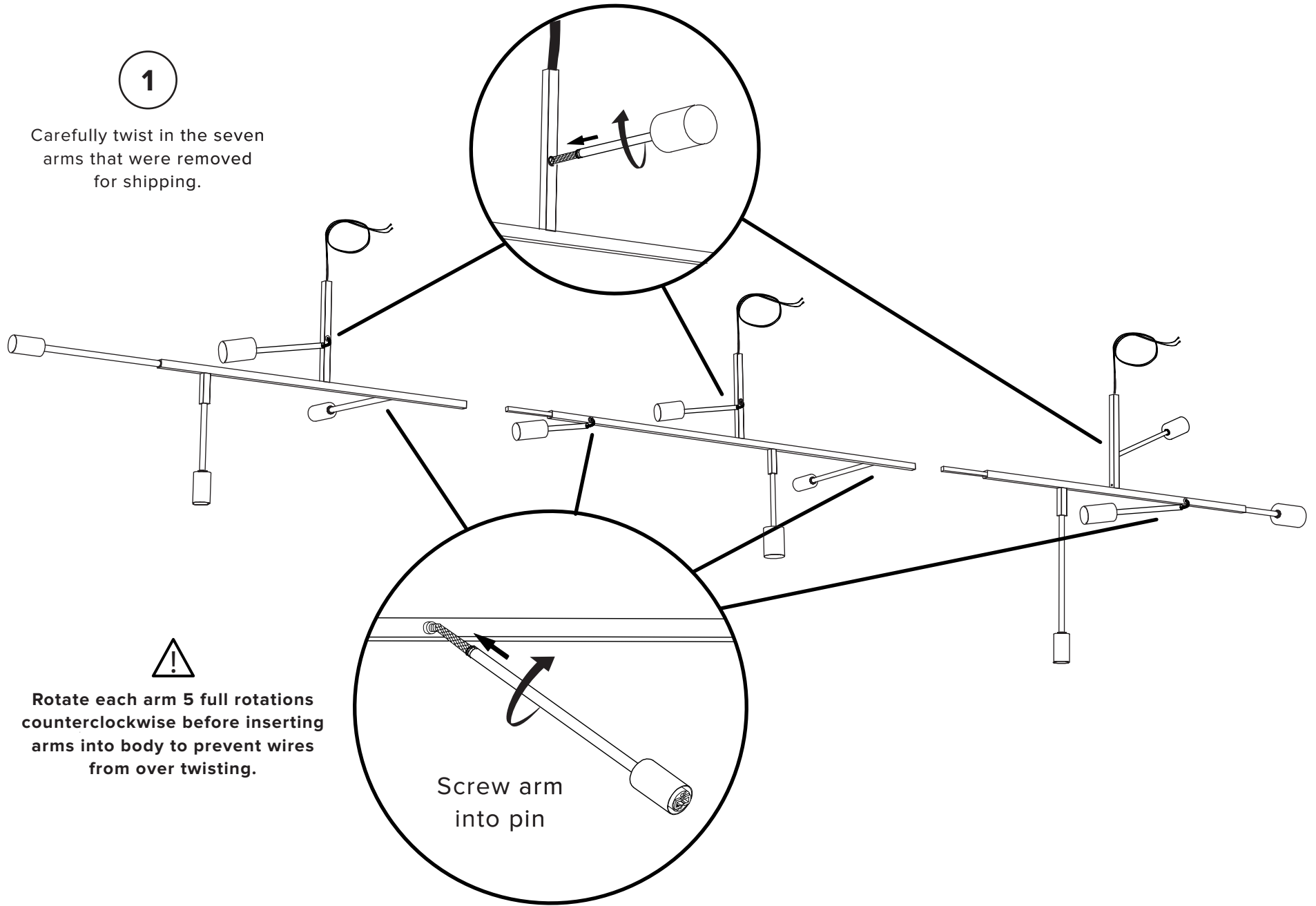
- 
- To be installed by an electrician to an electrical box
  - Use appropriate screws and anchors where necessary
  - Wear enclosed gloves when handling lamp
  - Handle materials with care. Please consult lamp maintenance sheet on our web site

14 lbs.



1

Carefully twist in the seven arms that were removed for shipping.

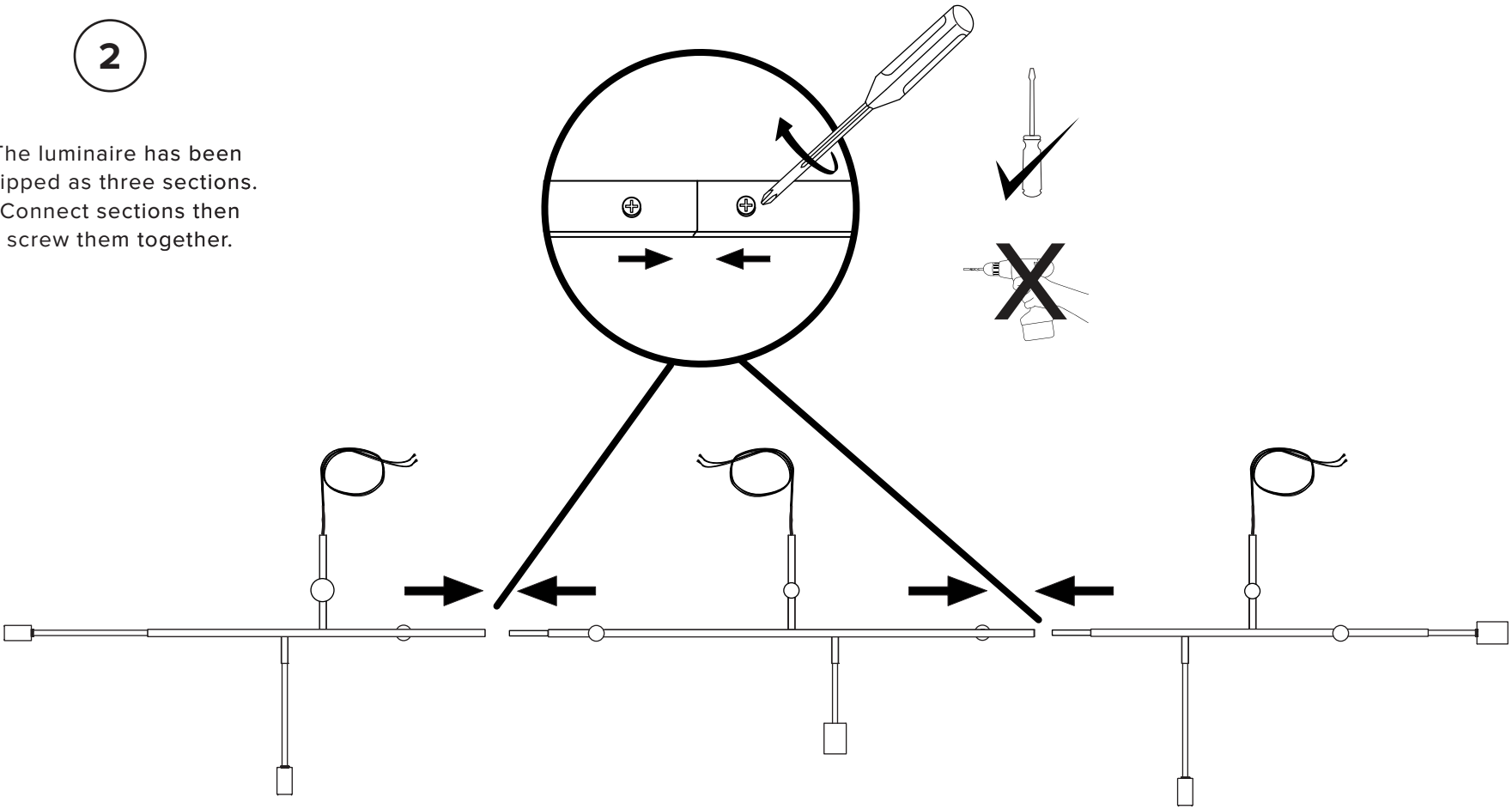


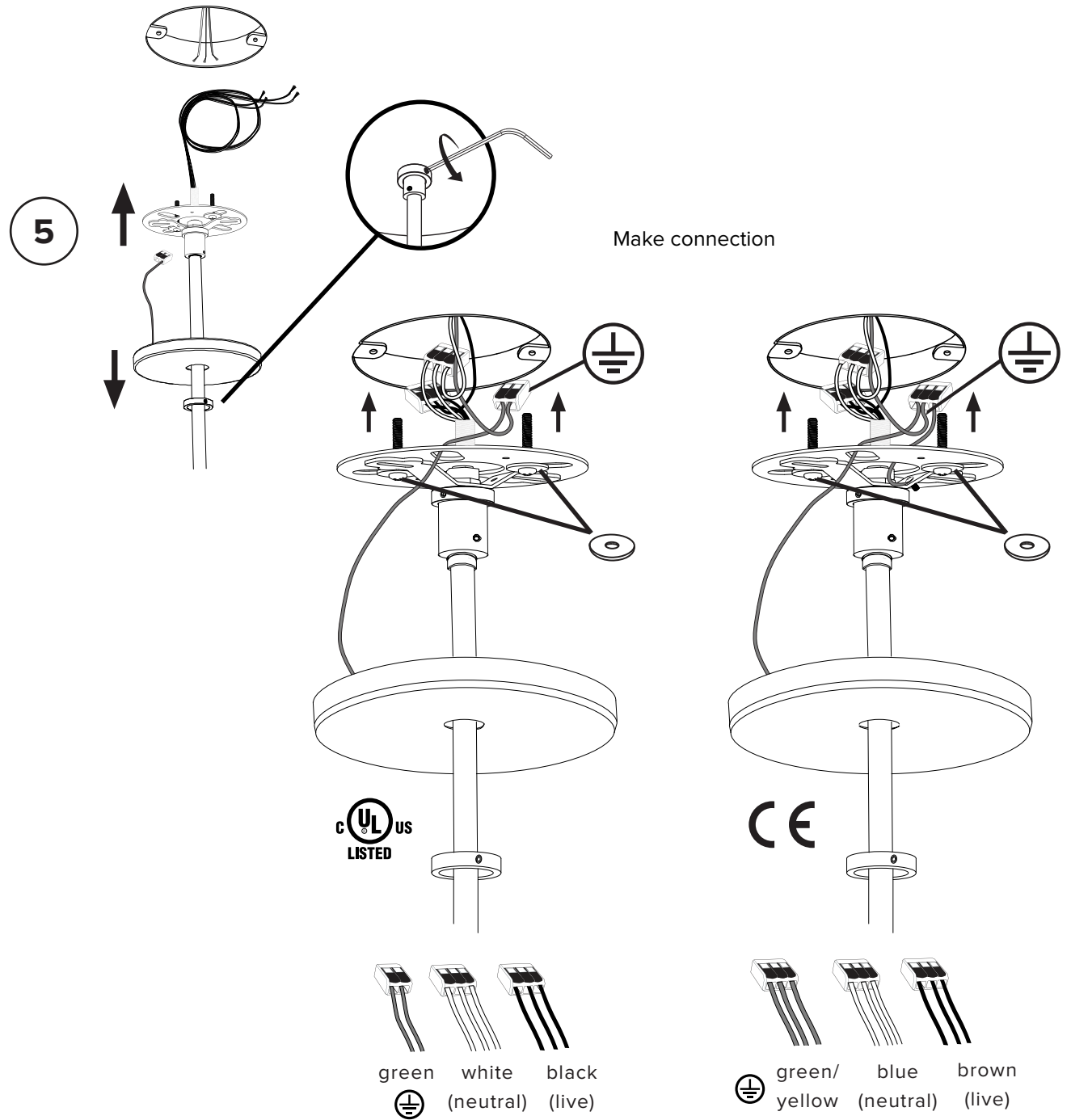
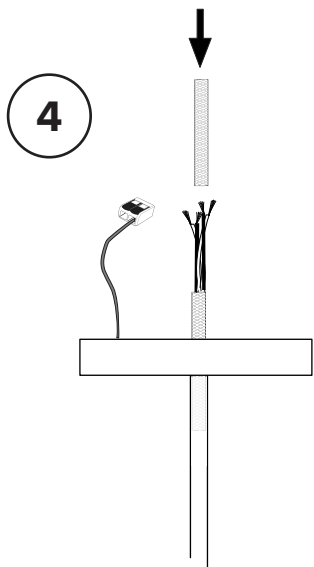
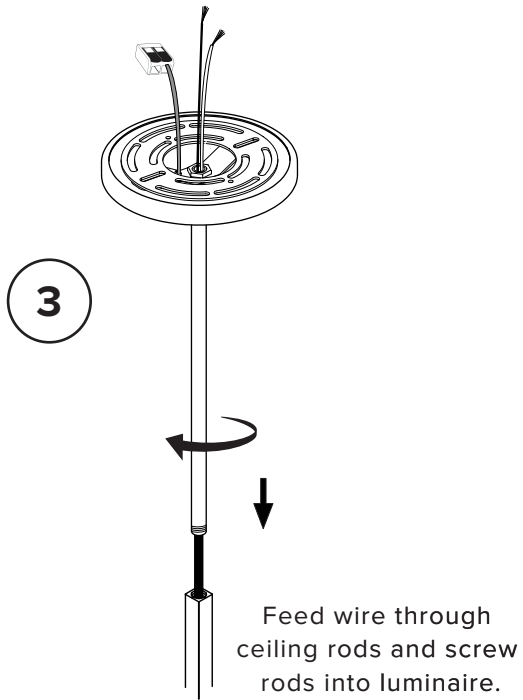
⚠  
Rotate each arm 5 full rotations  
counterclockwise before inserting  
arms into body to prevent wires  
from over twisting.

Screw arm  
into pin

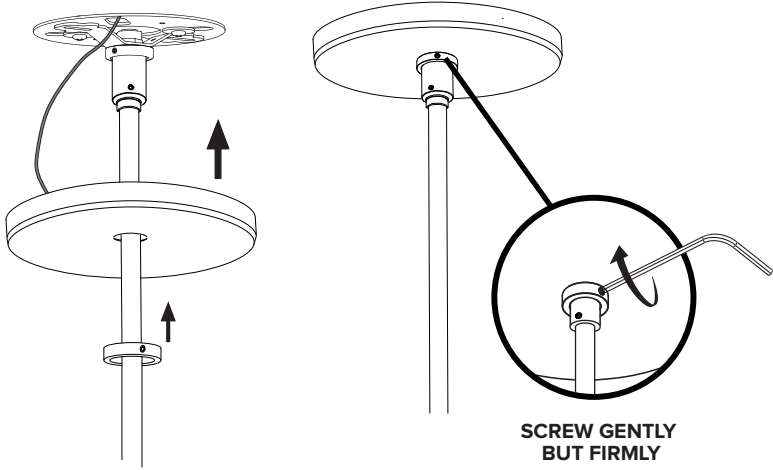
2

The luminaire has been shipped as three sections.  
Connect sections then  
screw them together.





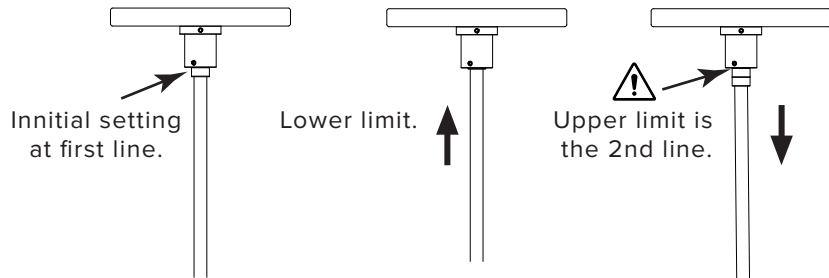
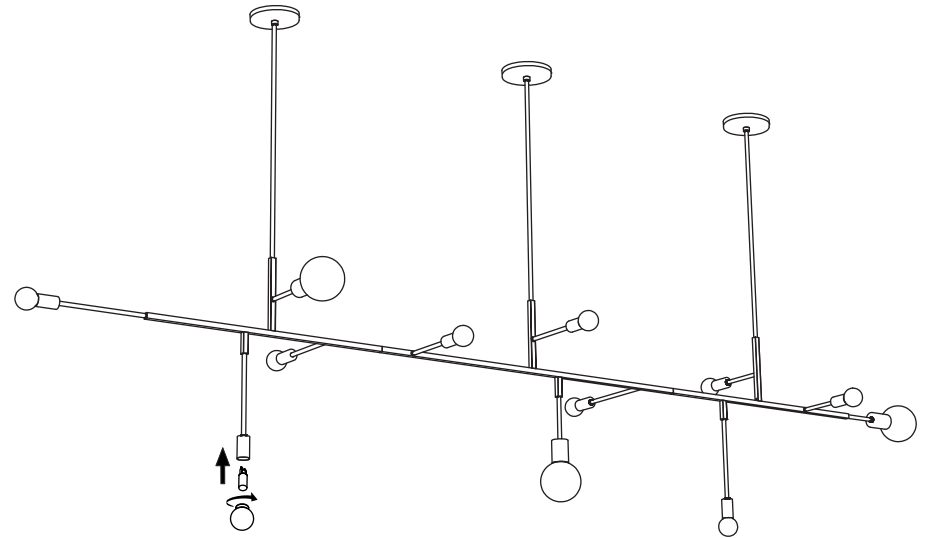
6



SCREW GENTLY  
BUT FIRMLY

7

Insert bulbs and globes  
into the sockets



Note that the ceiling rod is adjustable