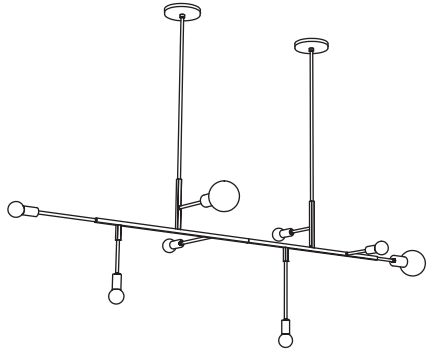
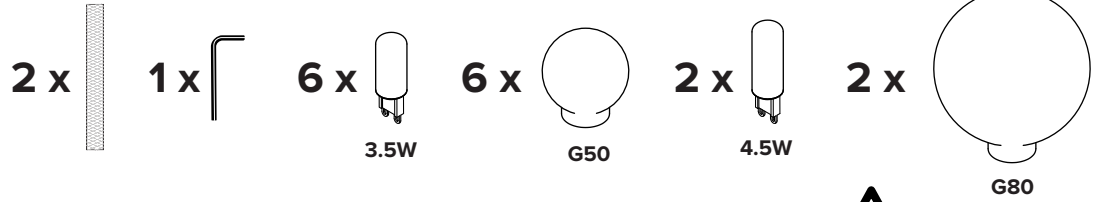


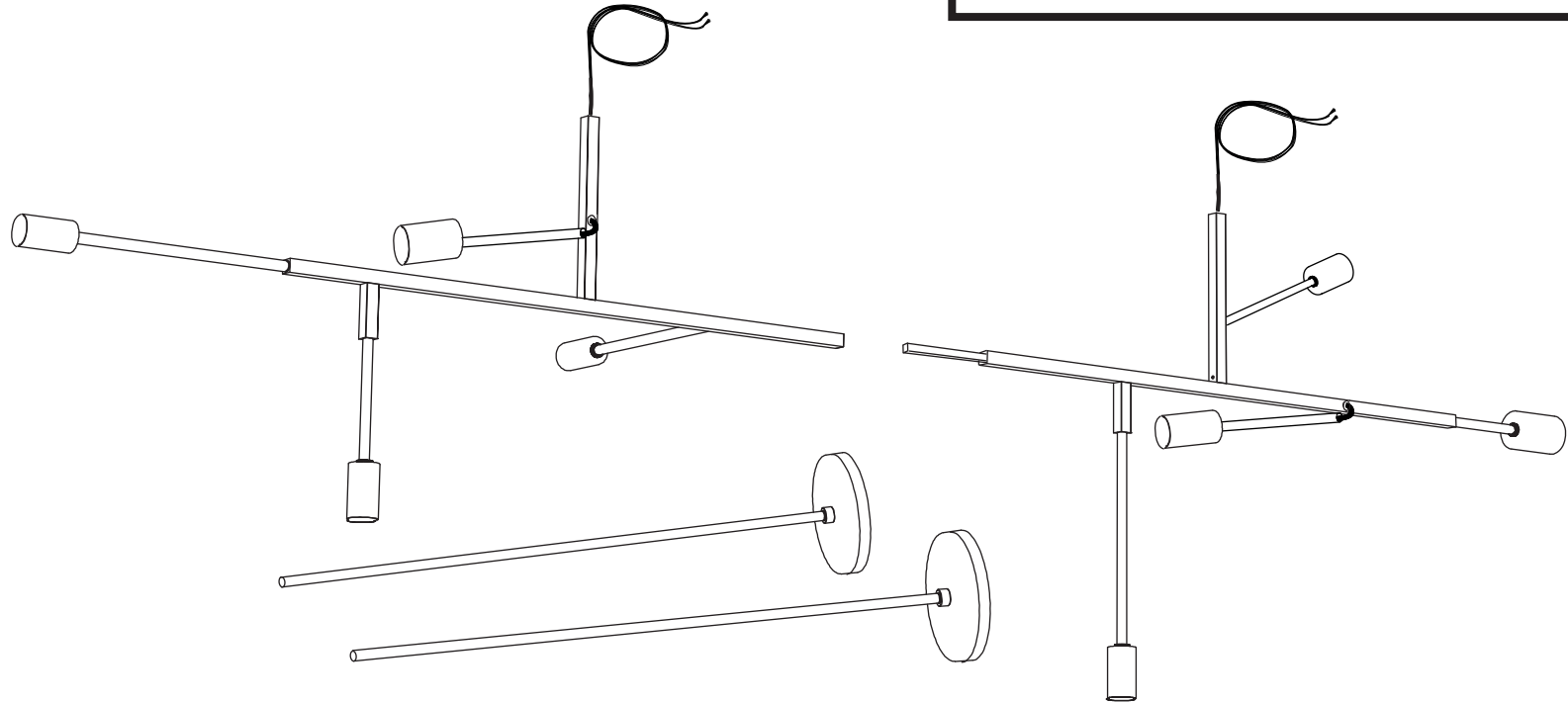
# CLIFF SUSPENSION 07



**!**

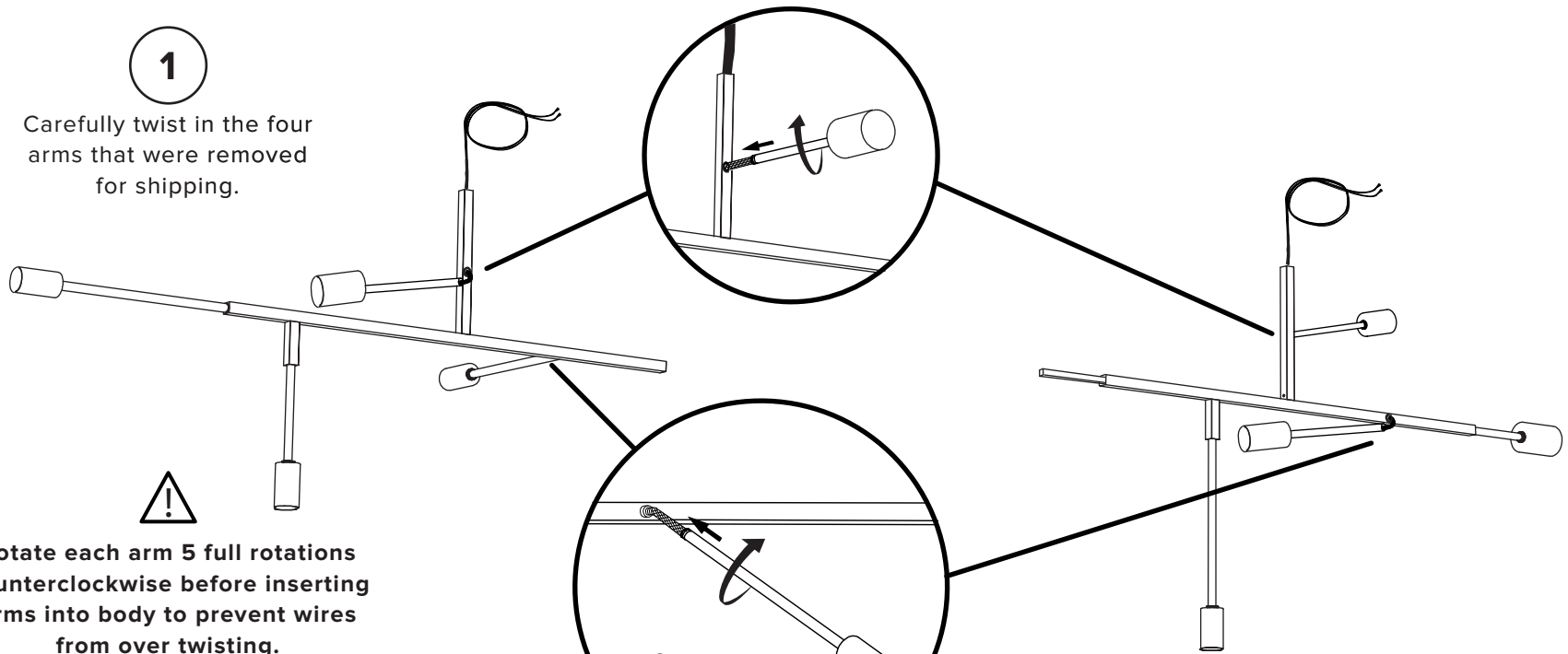
- To be installed by an electrician to an electrical box
- Use appropriate screws and anchors where necessary
- Wear enclosed gloves when handling lamp
- Handle materials with care. Please consult lamp maintenance sheet on our web site

**8 lbs.**

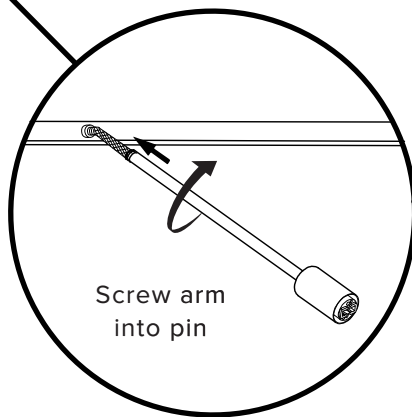


1

Carefully twist in the four arms that were removed for shipping.

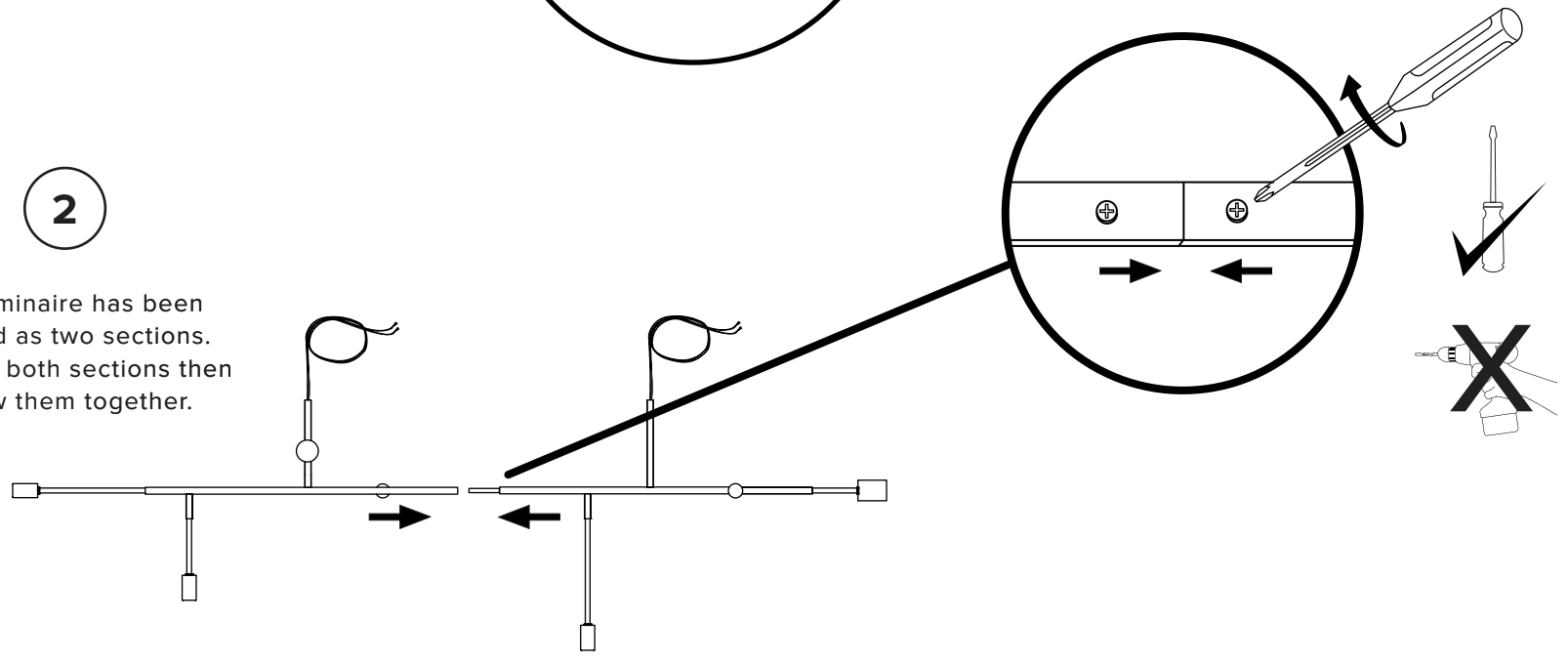


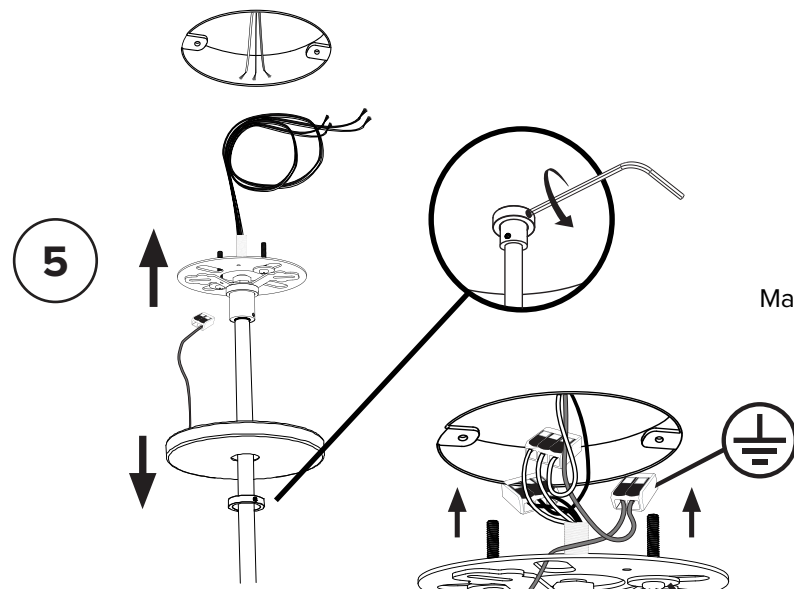
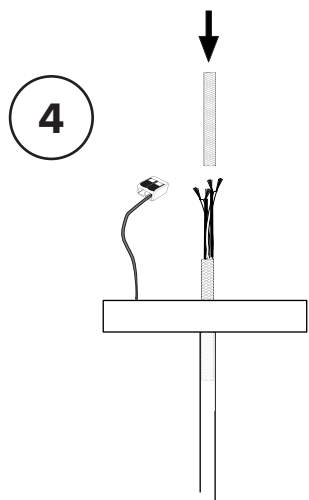
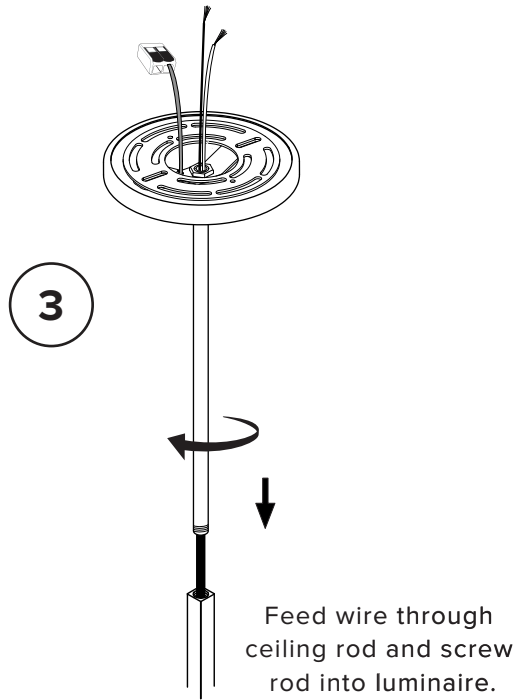
Rotate each arm 5 full rotations counterclockwise before inserting arms into body to prevent wires from over twisting.



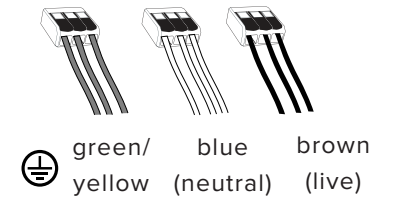
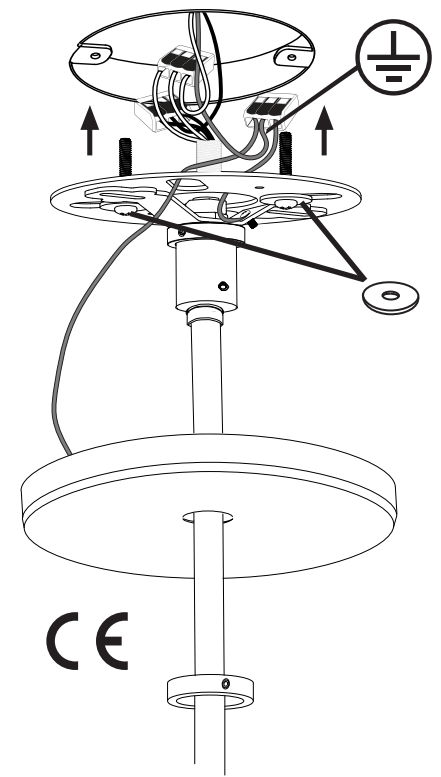
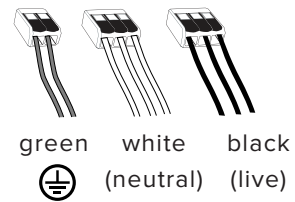
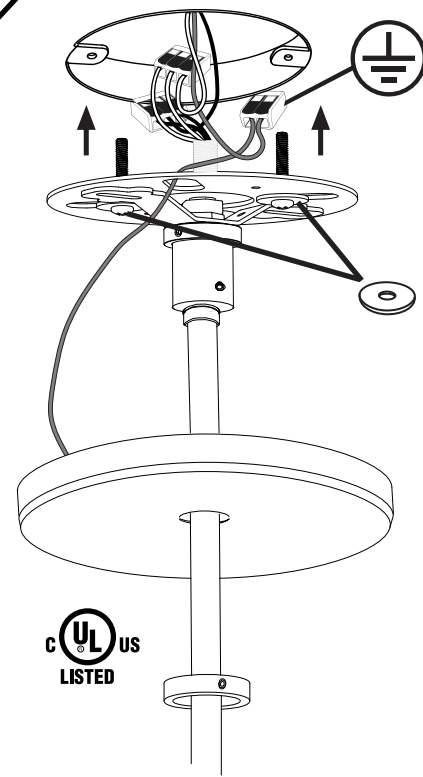
2

The luminaire has been shipped as two sections. Connect both sections then screw them together.

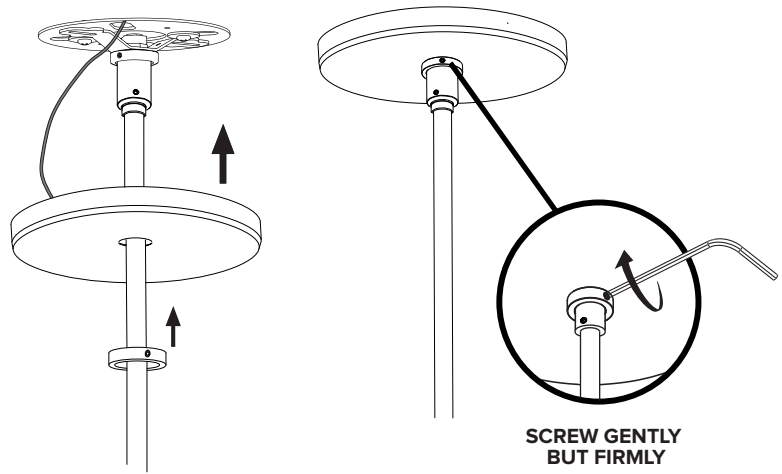




Make connection



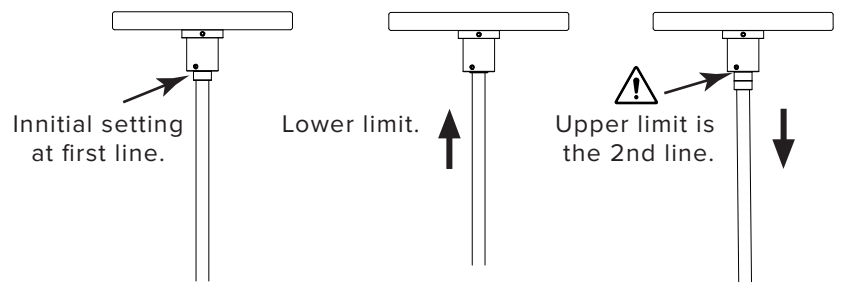
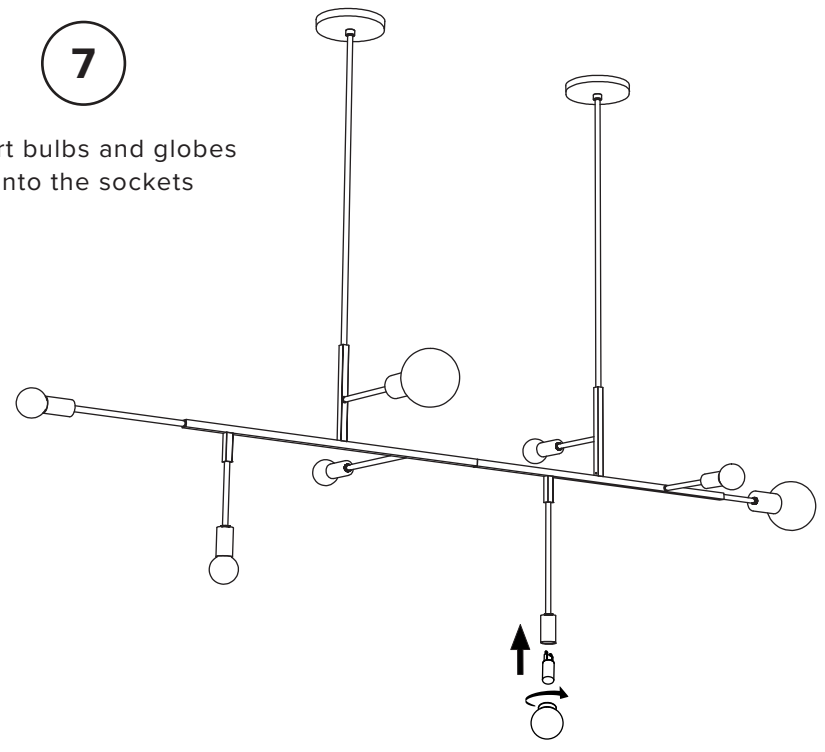
6



SCREW GENTLY  
BUT FIRMLY

7

Insert bulbs and globes  
into the sockets



Note that the ceiling rod is adjustable