

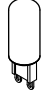
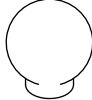

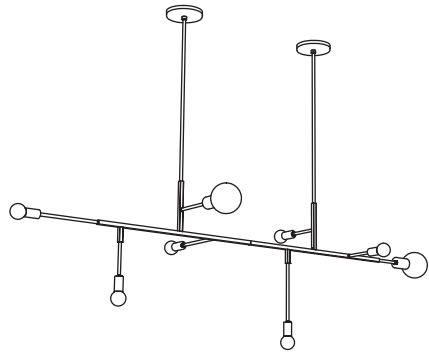



# CLIFF SUSPENSION 07


- 2 x 
- 1 x 
- 6 x  3.5W
- 6 x  G50
- 2 x  4.5W
- 2 x  G80

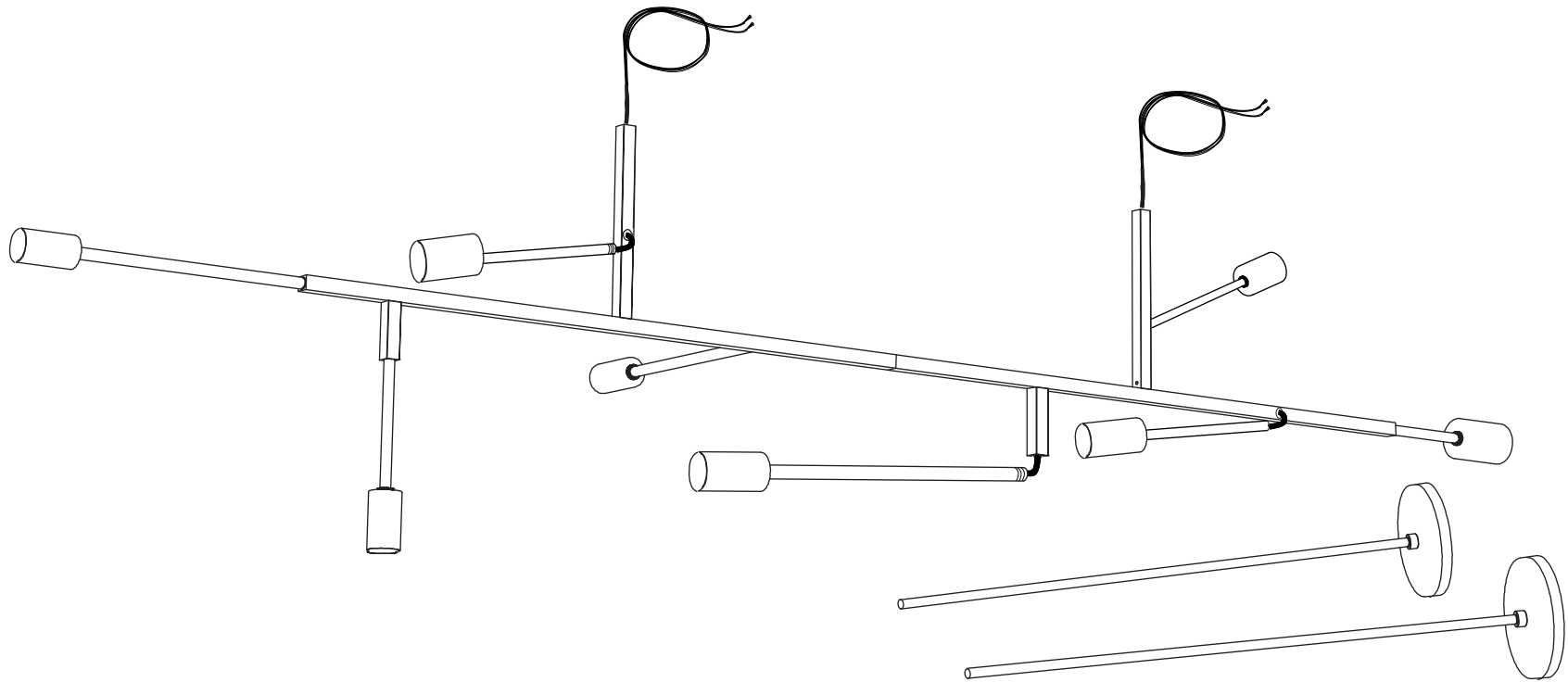




- To be installed by an electrician to an electrical box
- Use appropriate screws and anchors where necessary
- Wear enclosed gloves when handling lamp
- Handle materials with care. Please consult lamp maintenance sheet on our web site

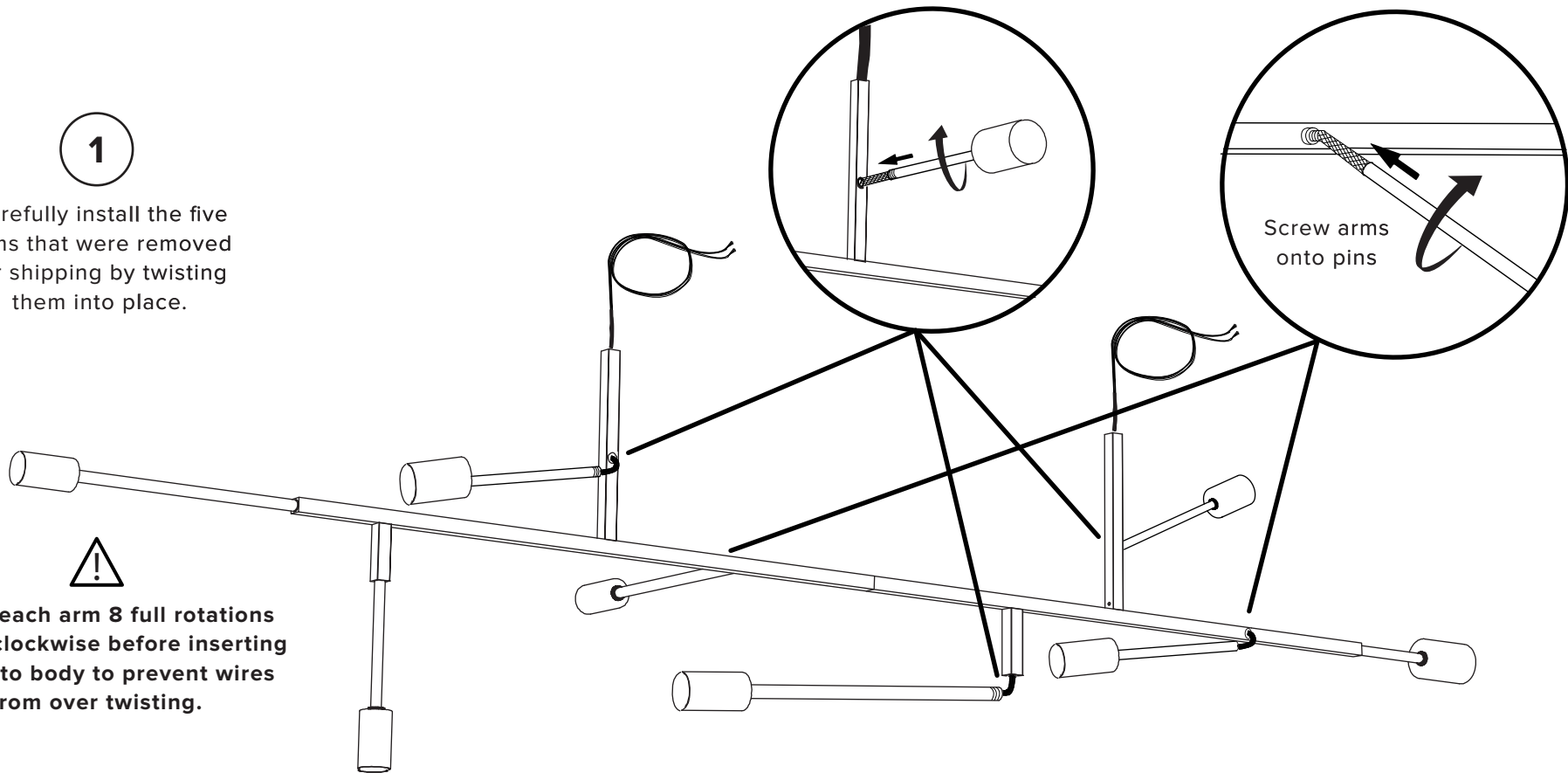
**8 lbs.**





1

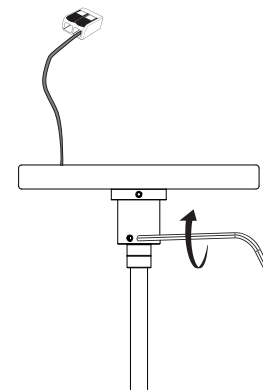
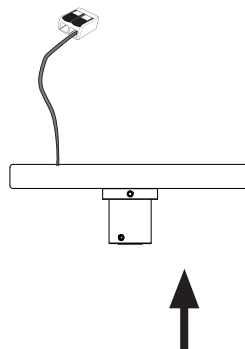
Carefully install the five arms that were removed for shipping by twisting them into place.



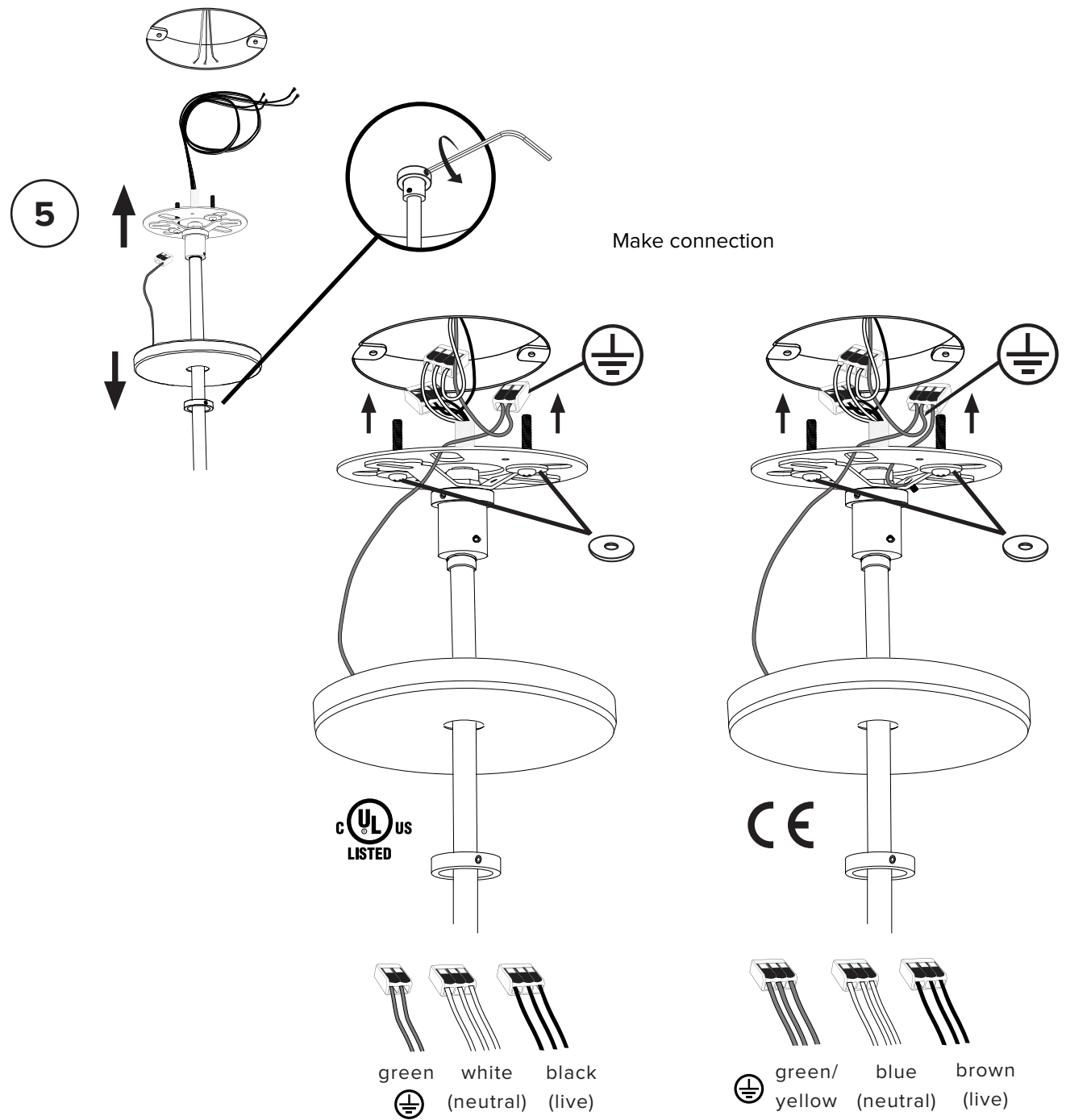
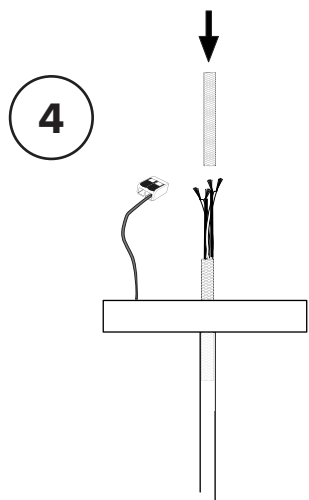
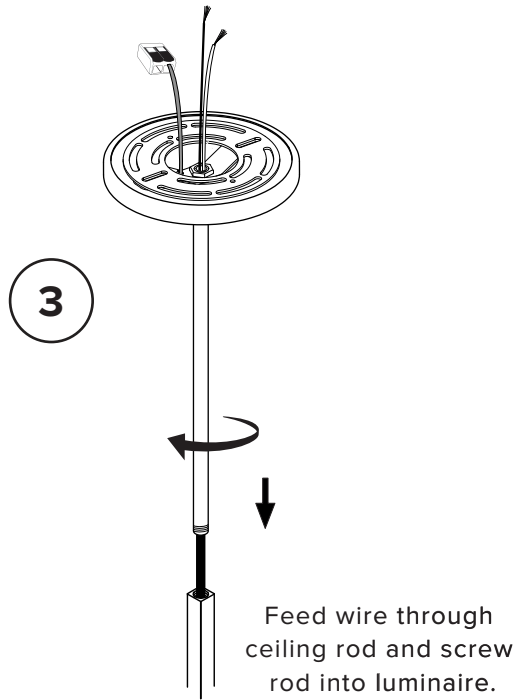
Rotate each arm 8 full rotations counterclockwise before inserting arms into body to prevent wires from over twisting.

2

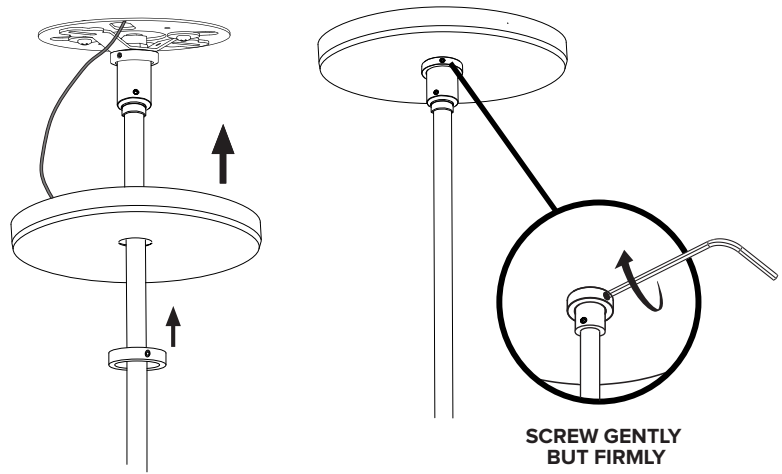
Install canopies onto ceiling rods



SCREW GENTLY BUT FIRMLY



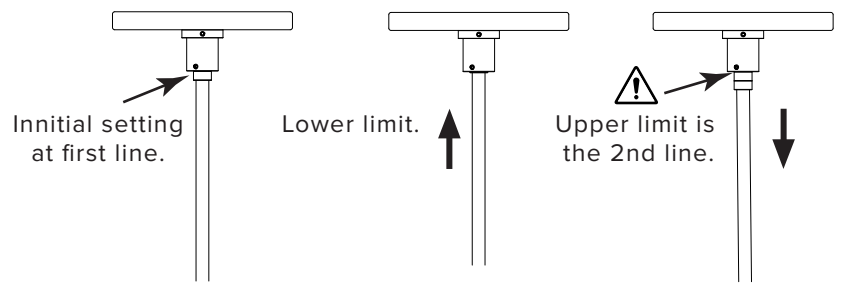
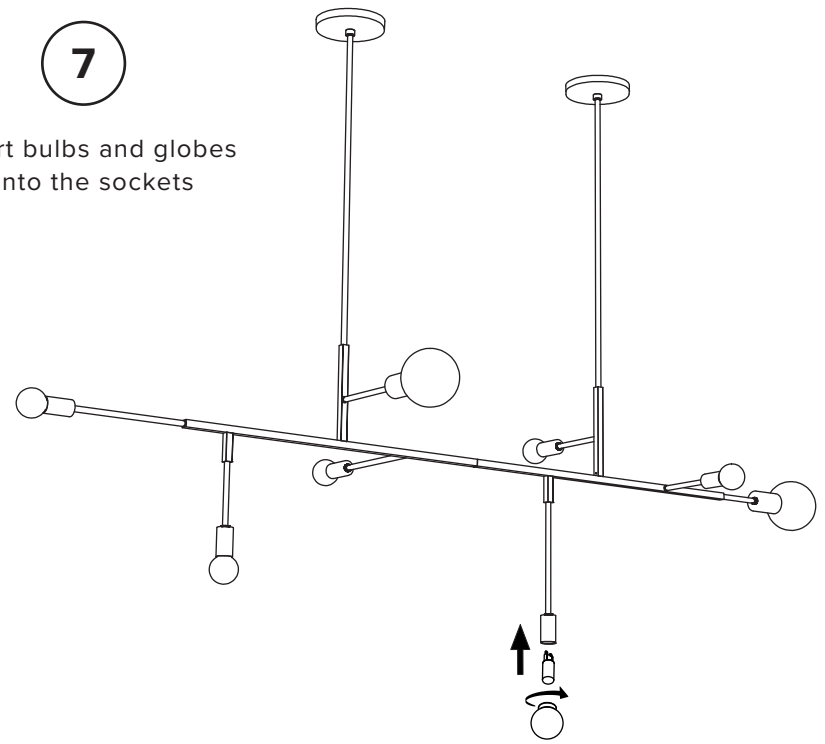
6



SCREW GENTLY  
BUT FIRMLY

7

Insert bulbs and globes  
into the sockets



Note that the ceiling rod is adjustable