
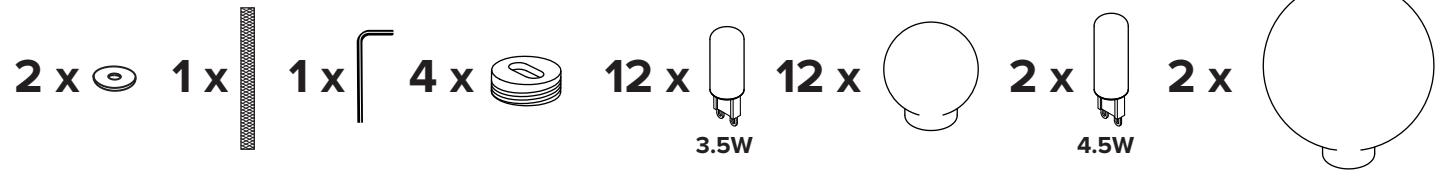



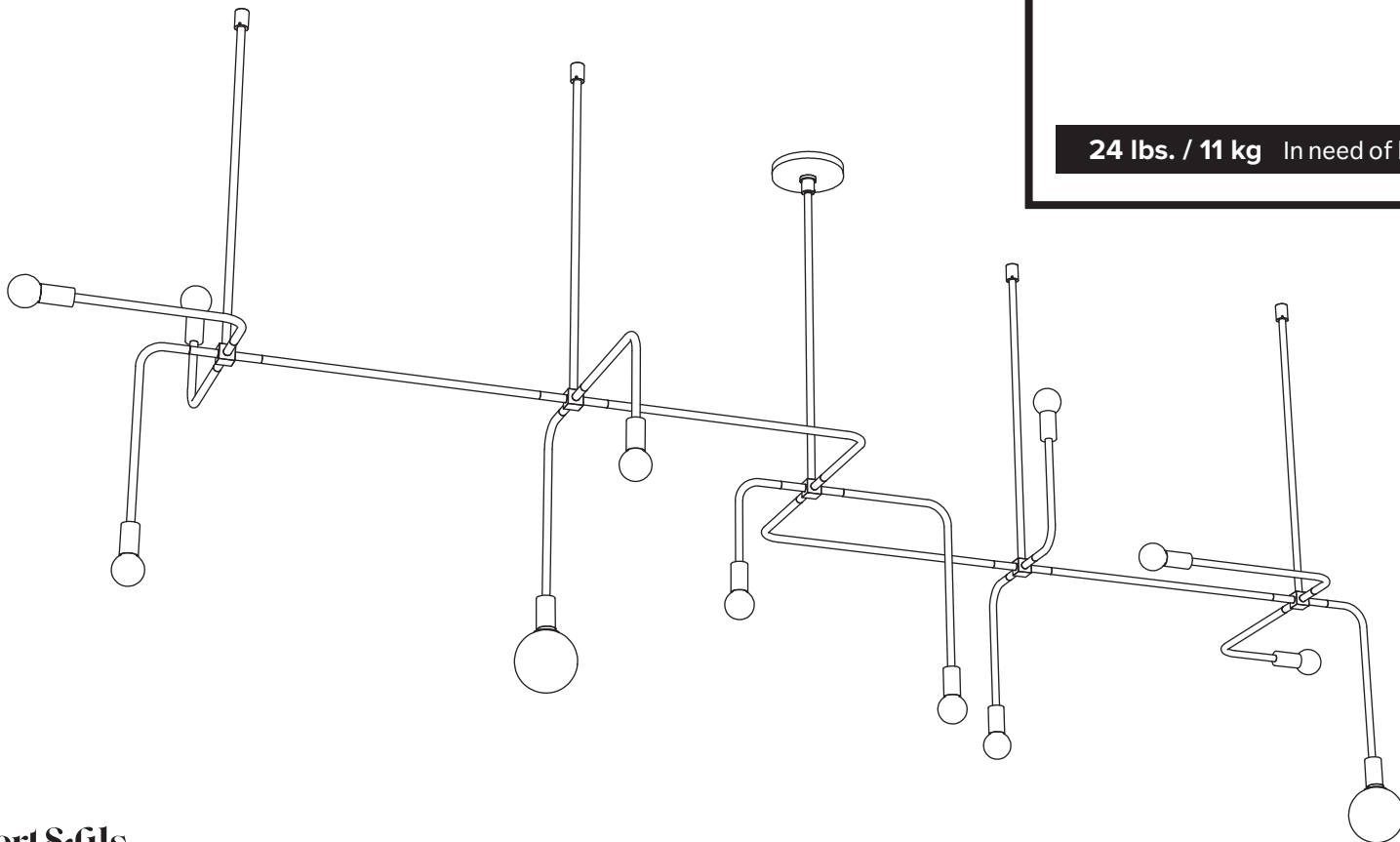
BEAUBIEN 07



- To be installed by an electrician to an electrical box
- Use appropriate screws where necessary
- Wear enclosed gloves when handling lamp
- Handle materials with care. Please consult lamp maintenance sheet on our web site



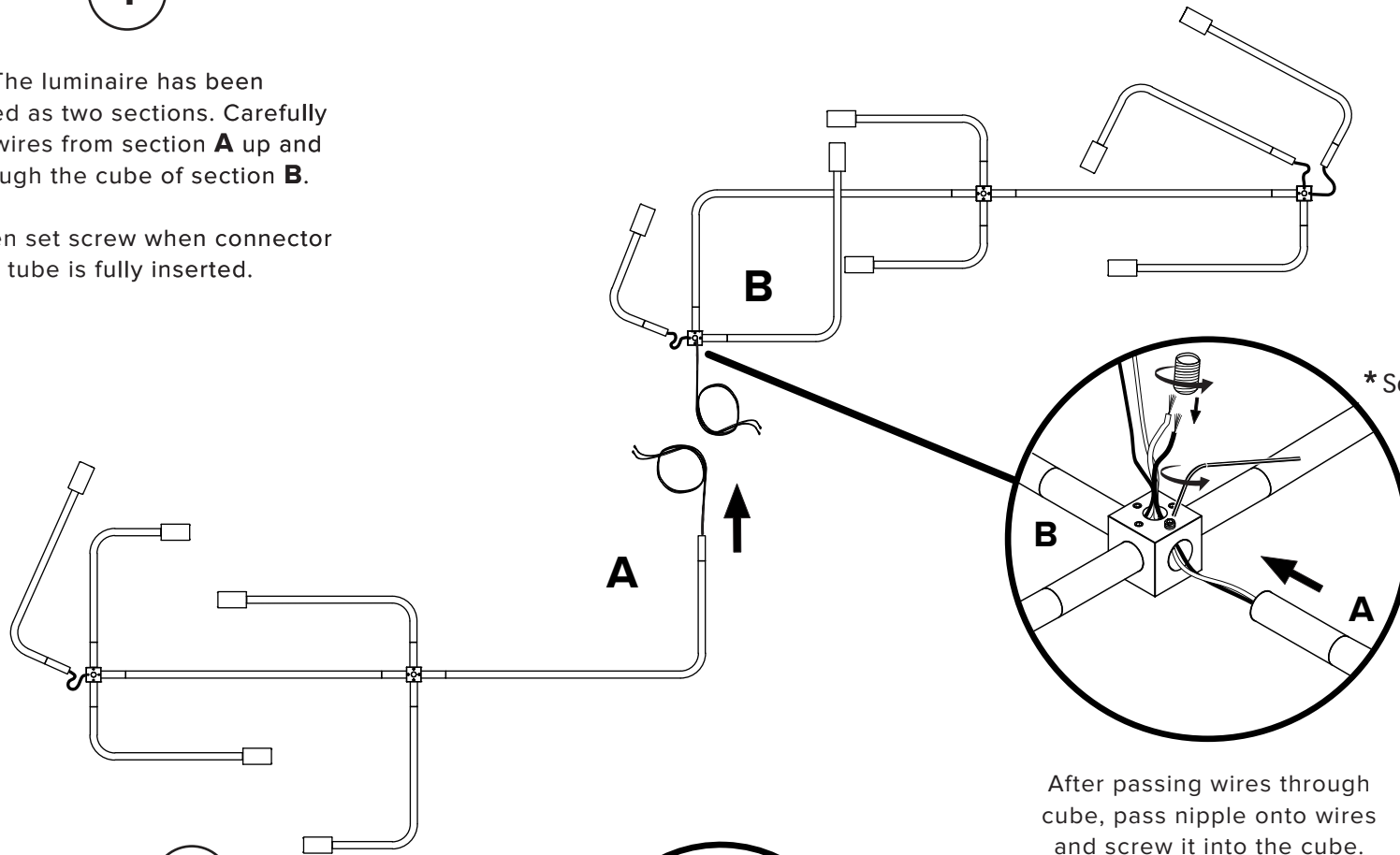
24 lbs. / 11 kg In need of background nailing



1

The luminaire has been shipped as two sections. Carefully feed wires from section **A** up and through the cube of section **B**.

Tighten set screw when connector tube is fully inserted.



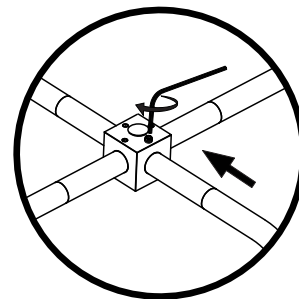
After passing wires through cube, pass nipple onto wires and screw it into the cube.

2

Insert removed arms into the cubes and secure set screws. The arms will be repositioned properly once the fixture has been installed to the ceiling.



**Rotate arms shortest distance possible.
Do not rotate 3/4 turn.**



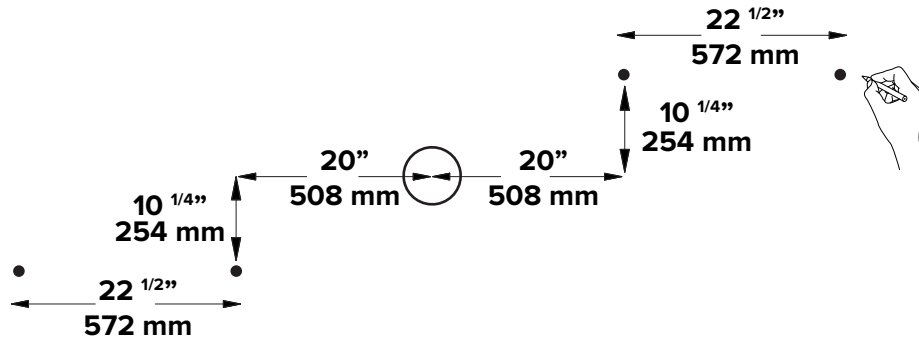
Insert arms then tighten set screw gently, but firmly.

3

Mark anchor locations using your electrical box as a guide

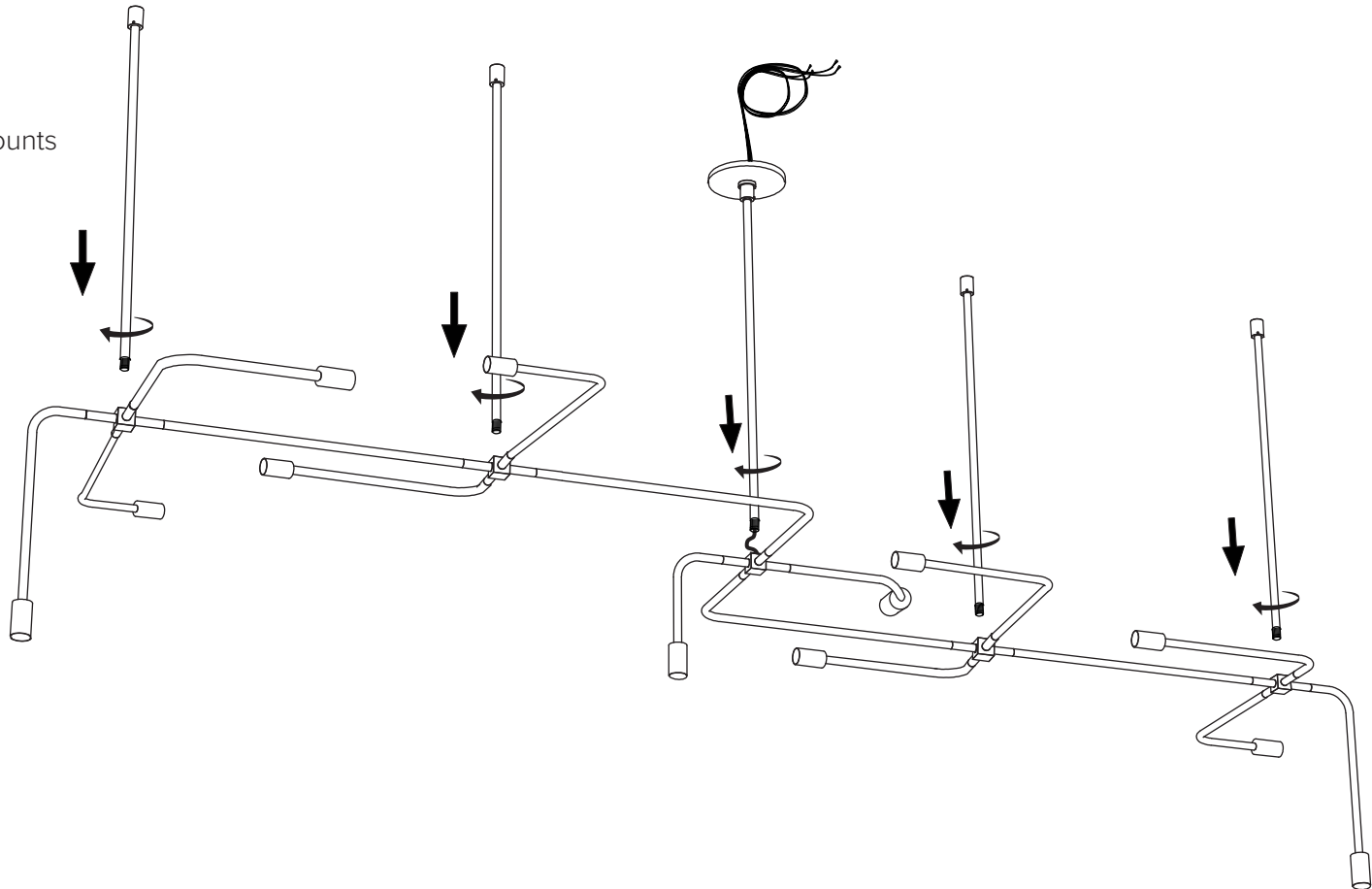
• Anchor location

○ Junction box



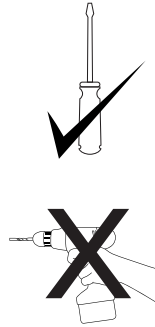
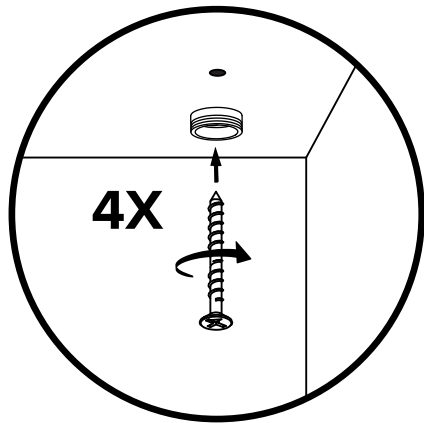
4

Screw in ceiling mounts and canopy

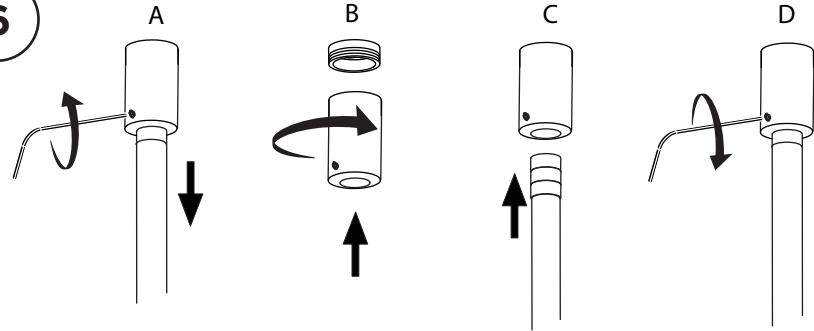


5

After having marked anchor location on the ceiling, screw in ceiling anchors using appropriate screws



6



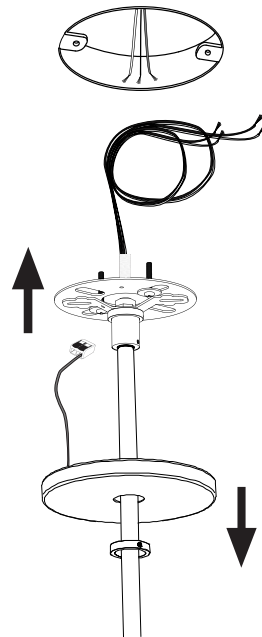
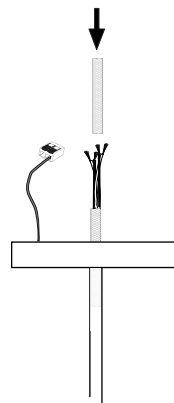
Loosen set screw and lower ceiling rod to allow mount to be screwed into the ceiling anchor

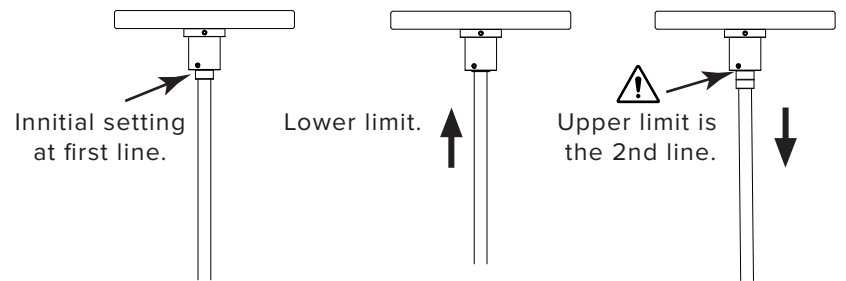
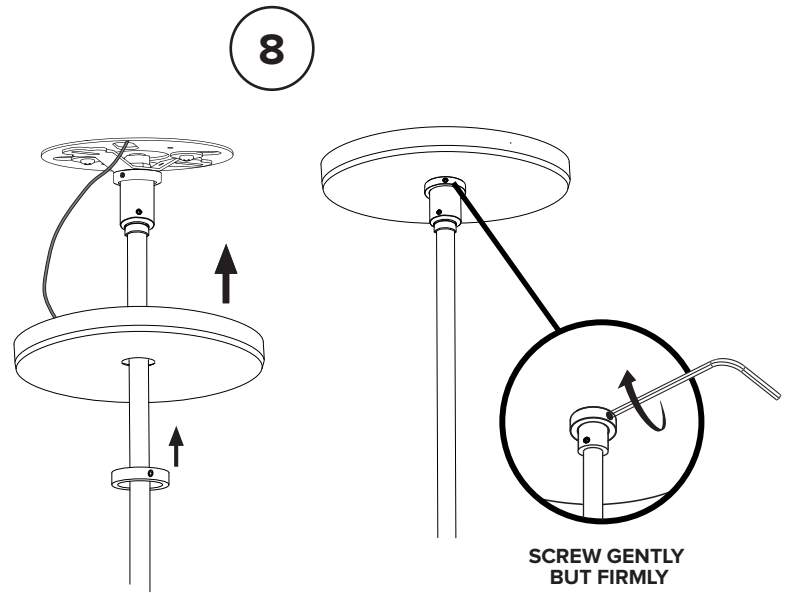
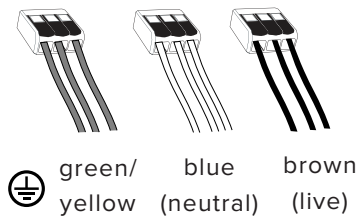
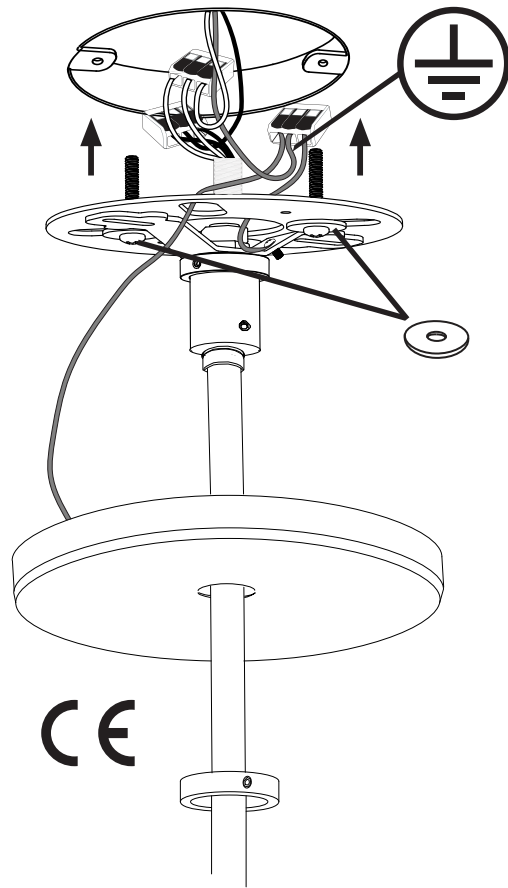
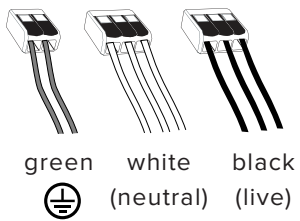
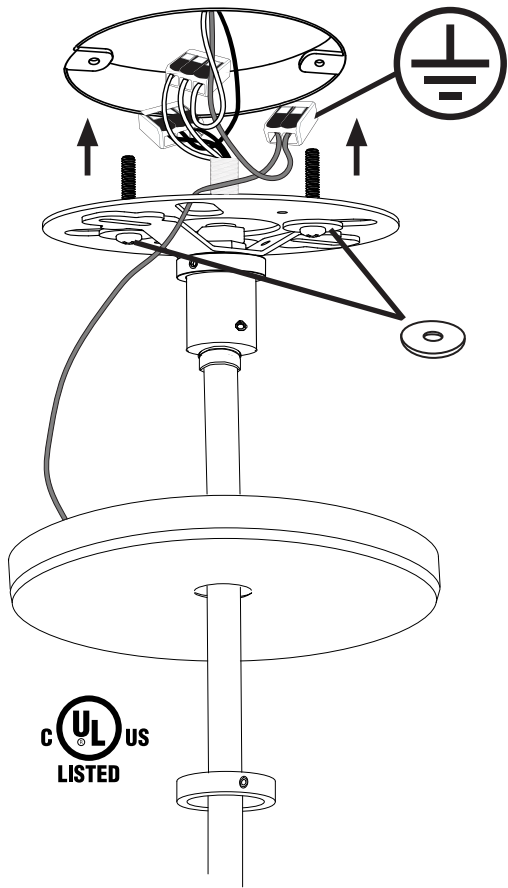
Raise ceiling stems into the anchored ceiling mount and tighten the set screw

SCREW GENTLY BUT FIRMLY

7

Make connection

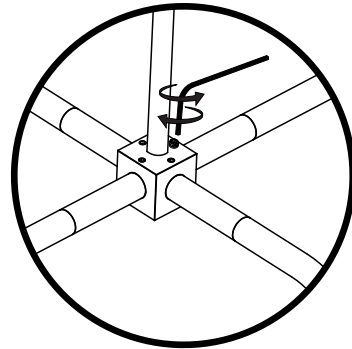




Note that the ceiling rod is adjustable

9

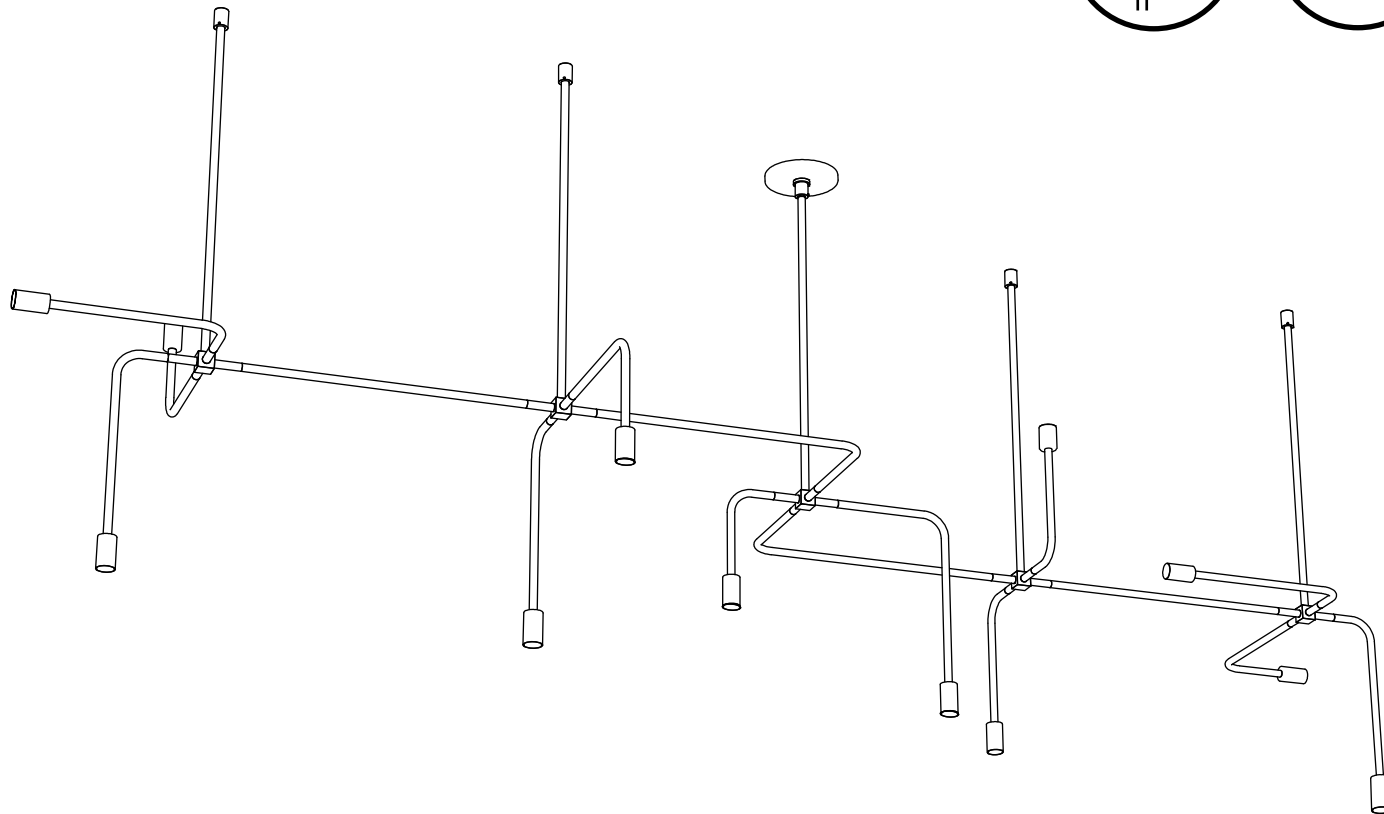
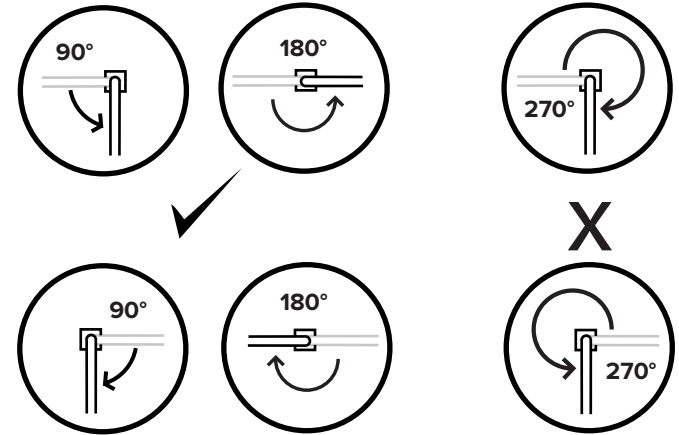
Reposition arms into their proper final positions. These arms were turned to facilitate shipping



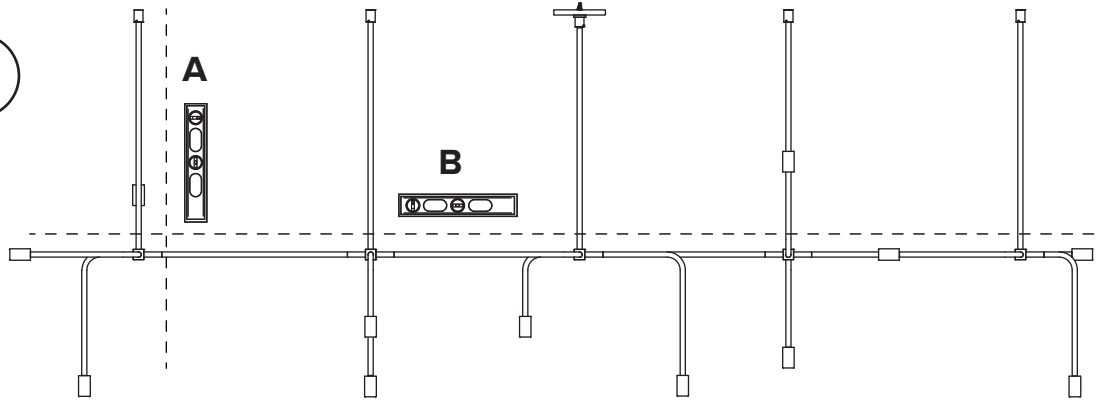
Losen set screw, reposition arm then tighten set screw gently, but firmly.



Rotate arms shortest distance possible.
Do not rotate 3/4 turn.

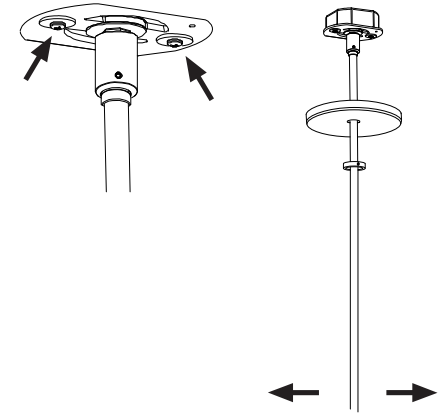


10



A

Horizontal level is adjusted by tightening and loosening the ceiling mount screws. Be sure that screws are sufficiently secured for safety

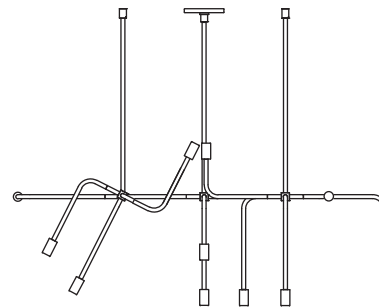
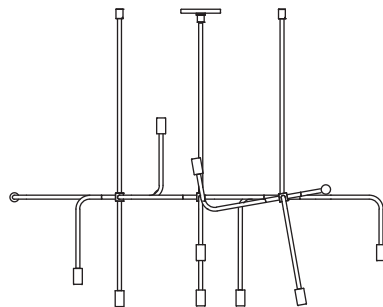
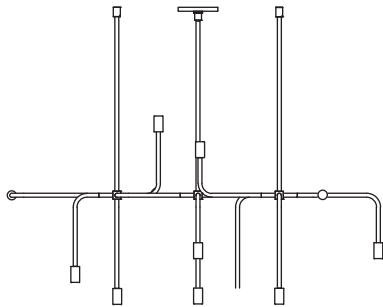


Cubes may have shifted during shipping so assure that all cubes are straight and parallel with one another



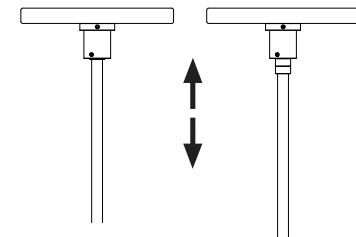
X

X



B

Vertical level is adjusted by moving the stem up and down between the two segmented lines



11

Insert bulbs and globes
into the sockets

