
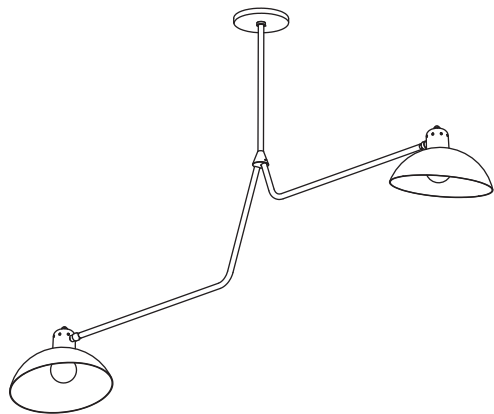
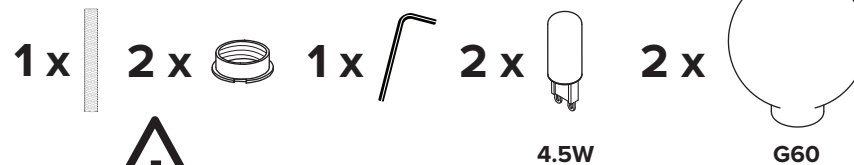
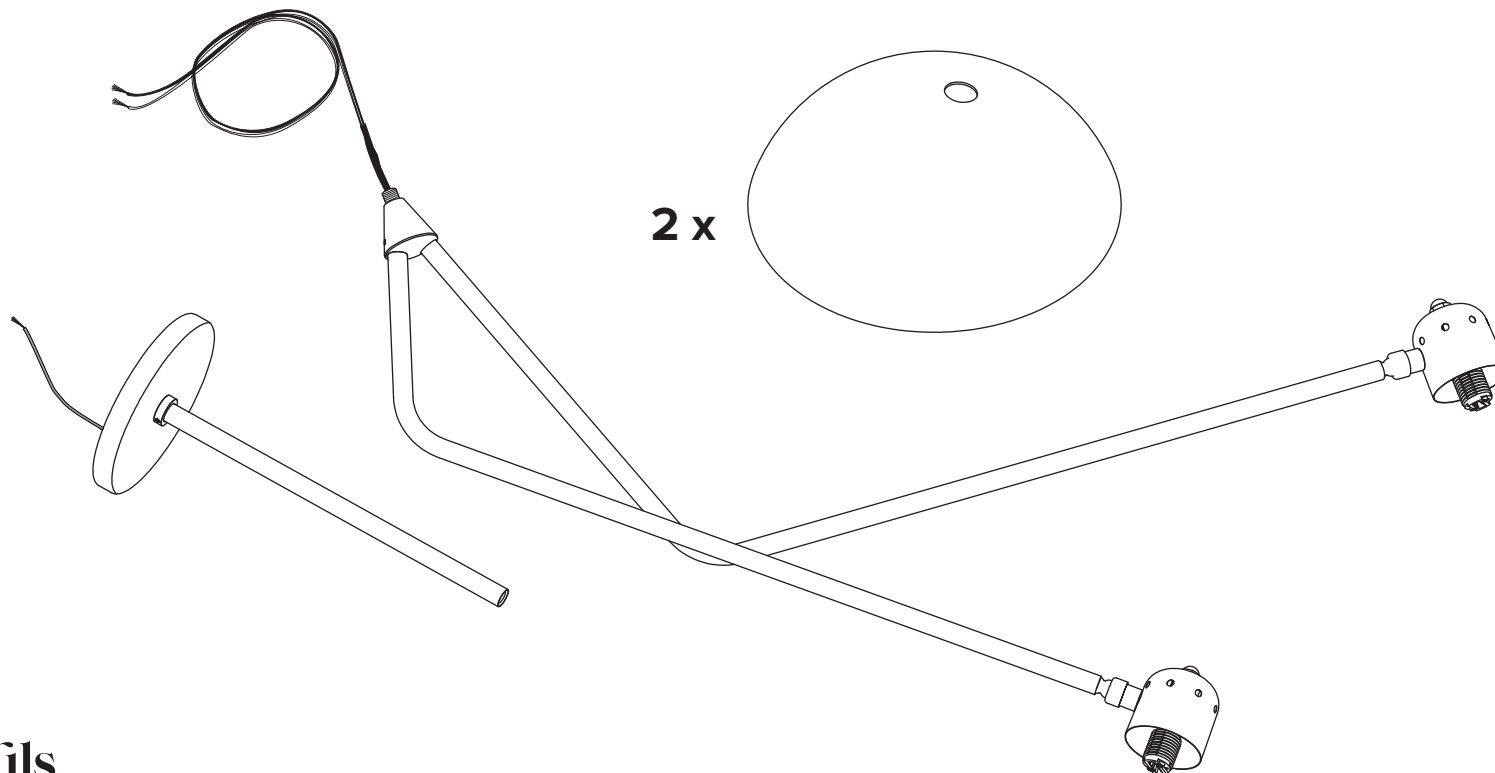

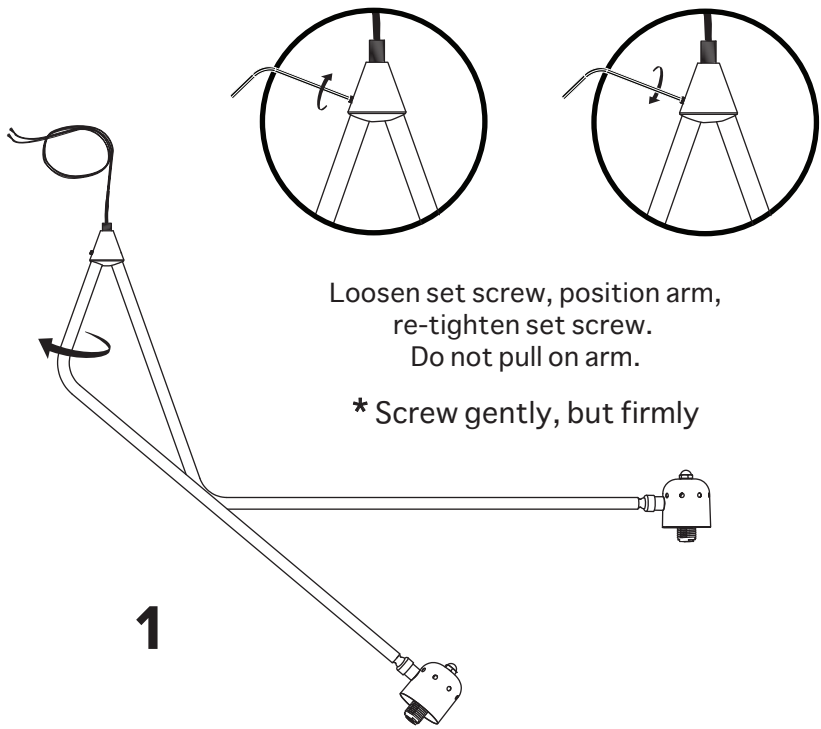


# WALDORF DOUBLE



- To be installed by an electrician to an electrical box
- Use appropriate screws and anchors where necessary
- Wear enclosed gloves when handling lamp
- Handle materials with care. Please consult lamp maintenance sheet on our web site

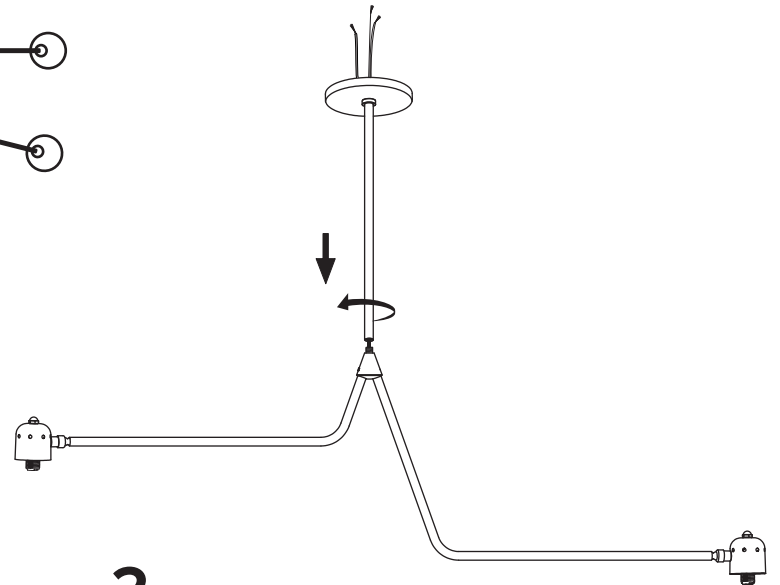
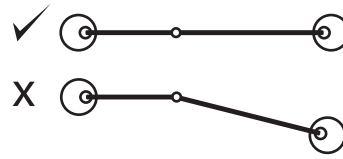




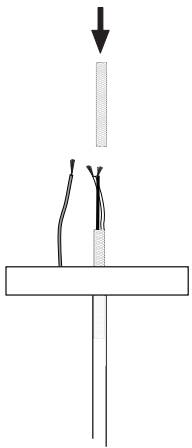
Loosen set screw, position arm,  
re-tighten set screw.  
Do not pull on arm.

\* Screw gently, but firmly

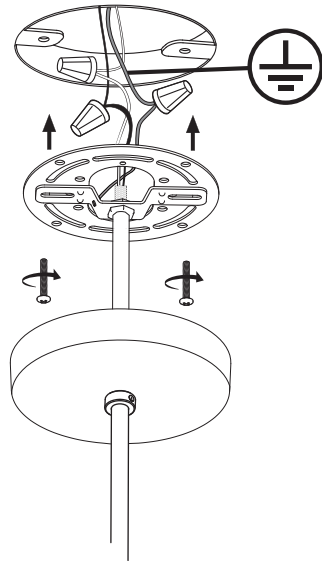
**1**



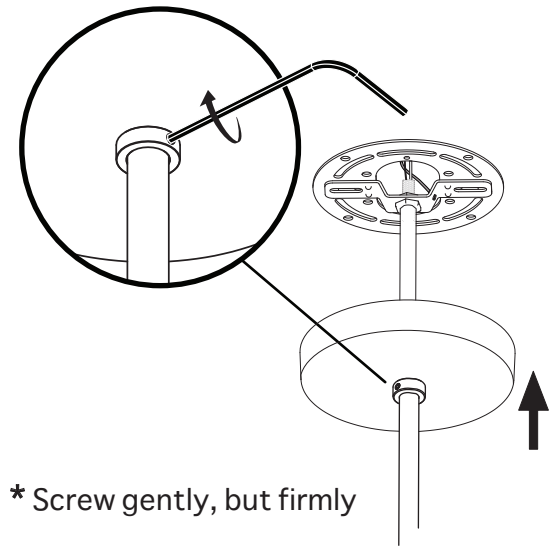
**2**



**3**

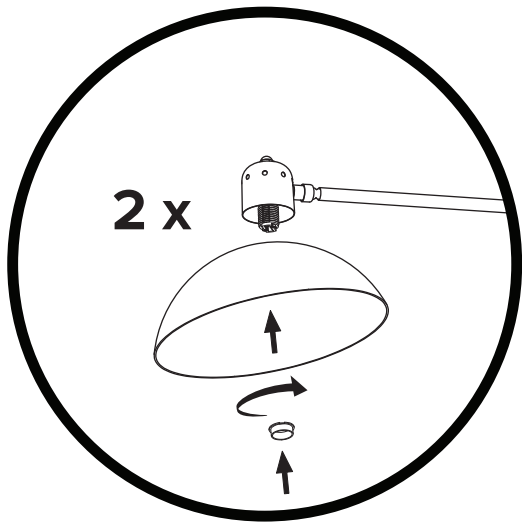


**4**

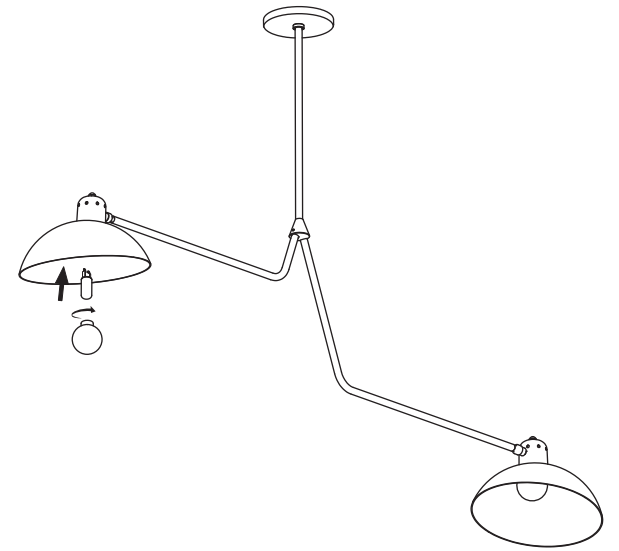
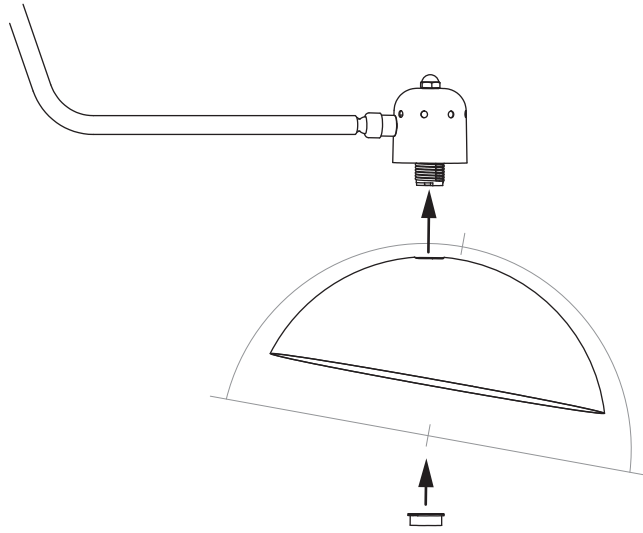


\* Screw gently, but firmly

**5**



6



7

