

WALDORF DOUBLE

3 x



1 x



1 x



1 x

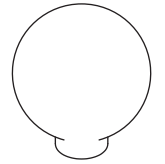


2 x

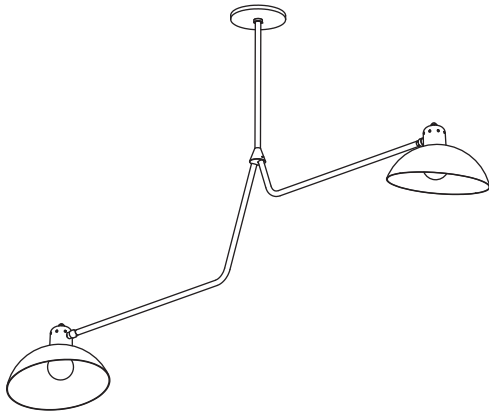


4.5W

2 x



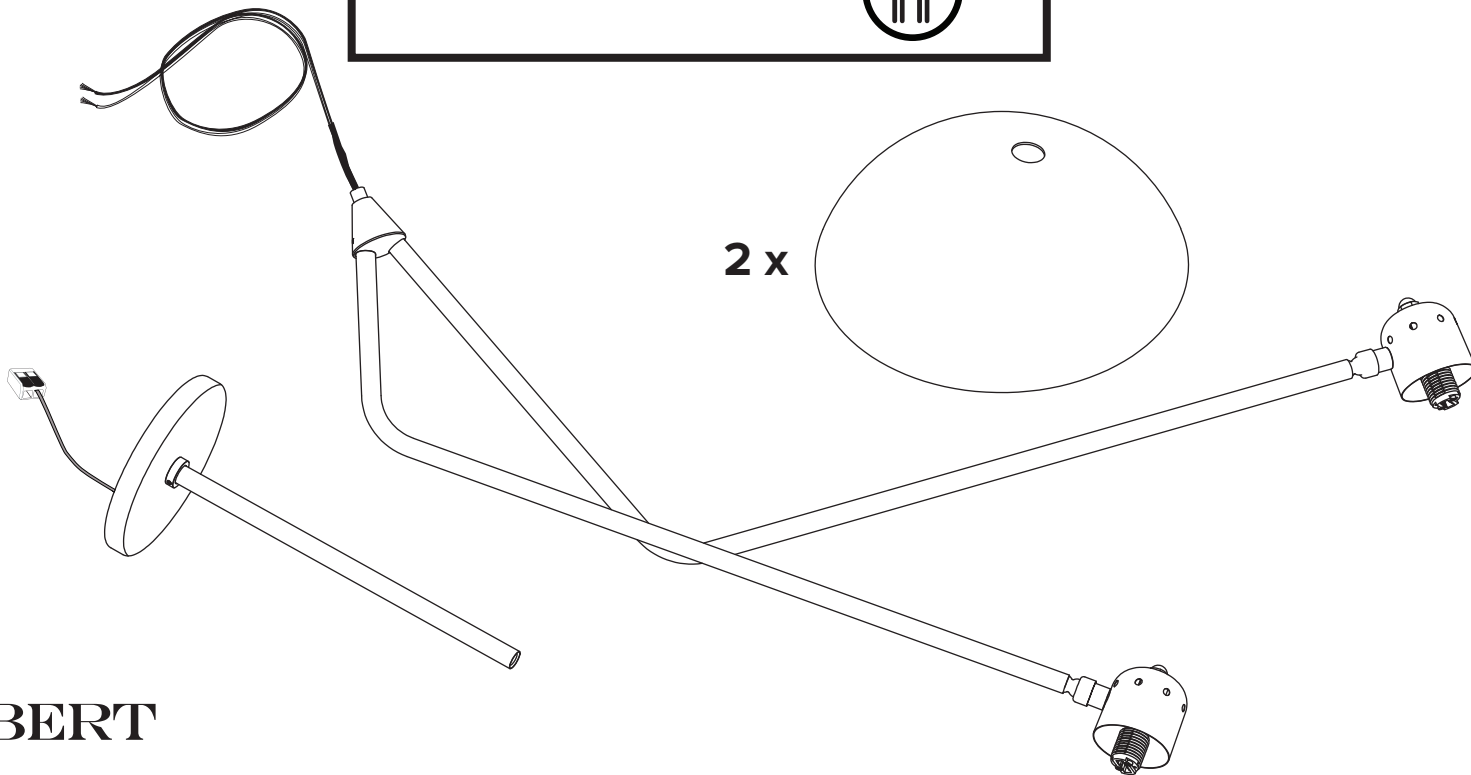
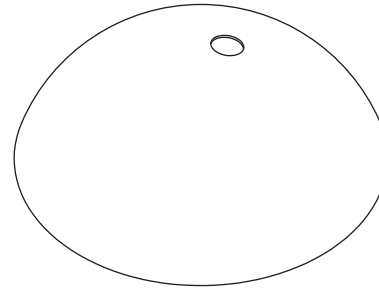
G60

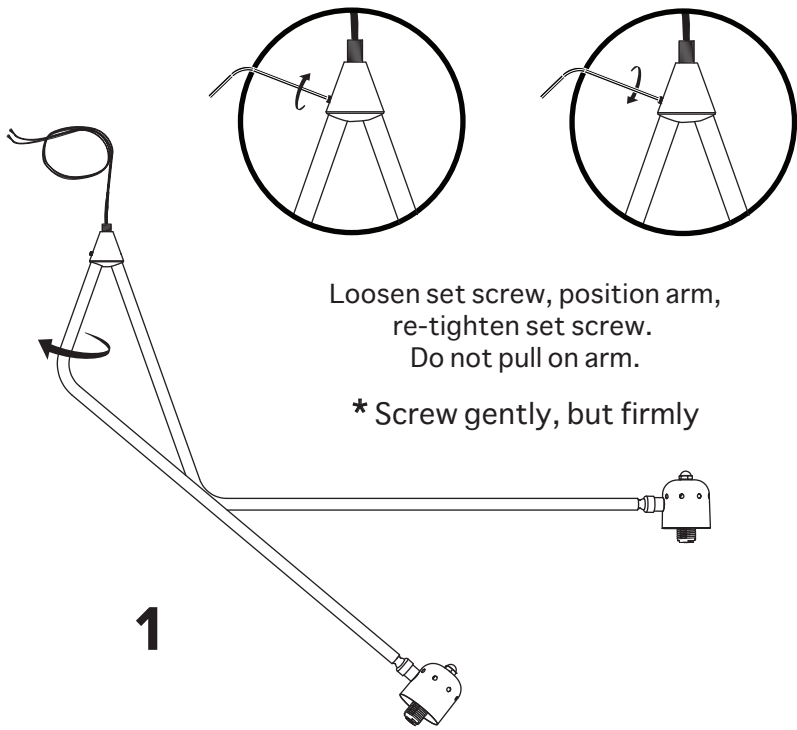


- To be installed by an electrician to an electrical box
- Use appropriate screws and anchors where necessary
- Wear enclosed gloves when handling lamp
- Handle materials with care. Please consult lamp maintenance sheet on our web site

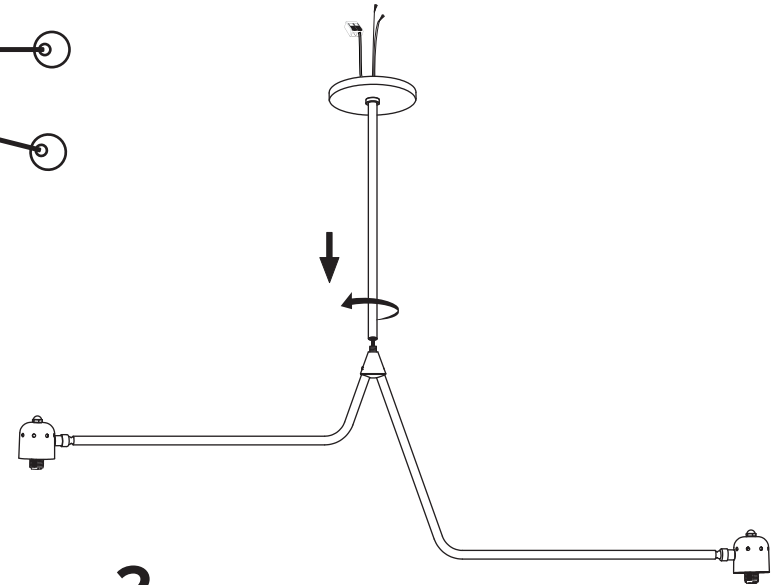
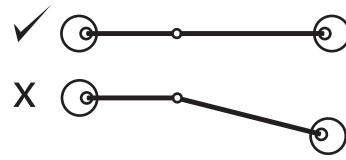


2 x

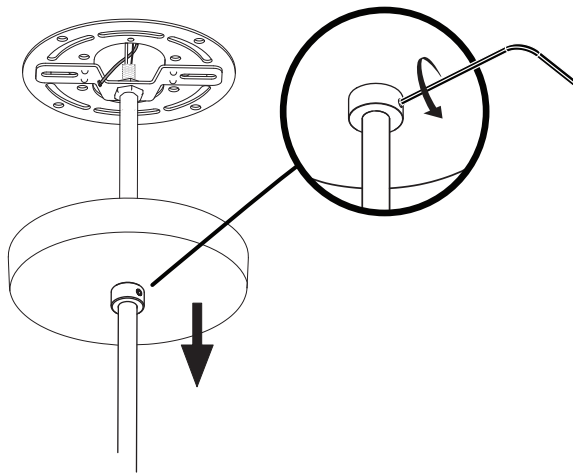




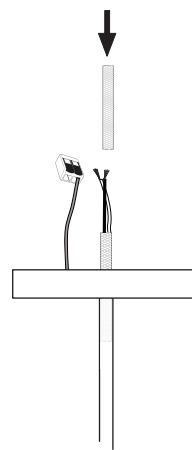
1



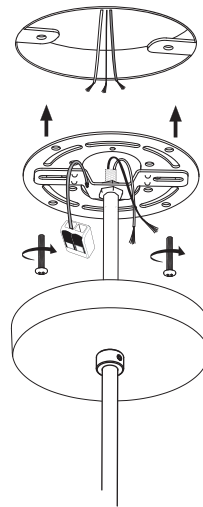
2



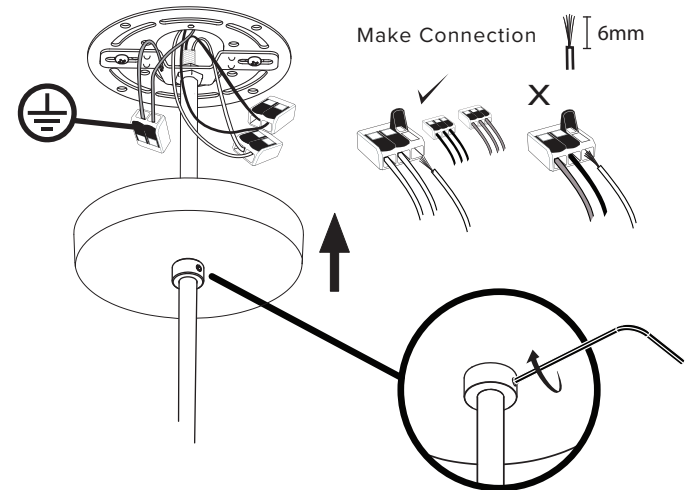
3



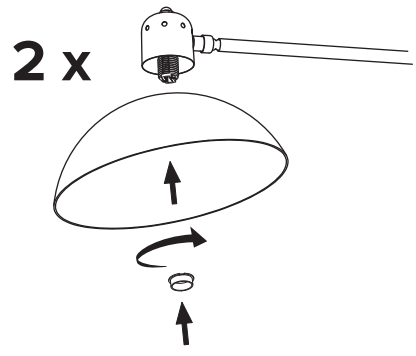
4



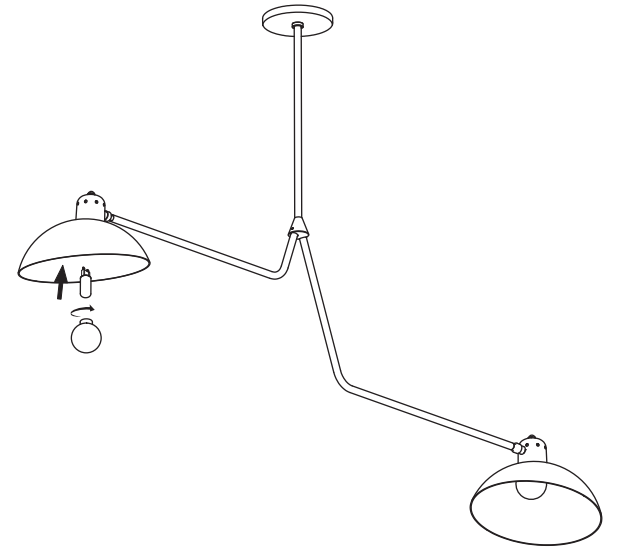
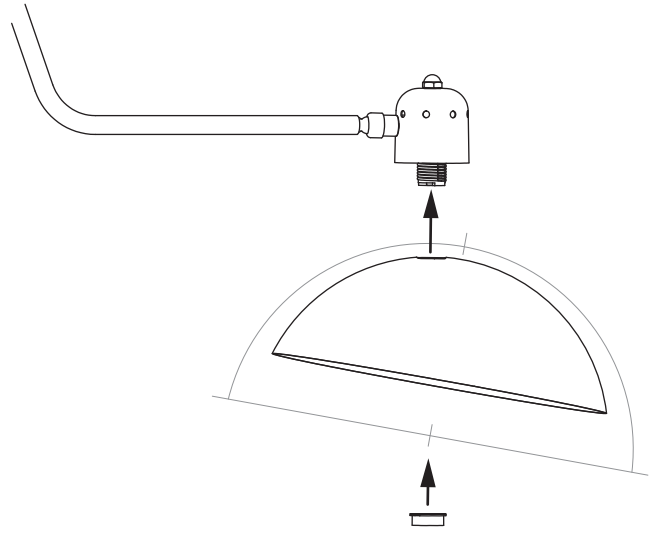
5



6



7



8

