



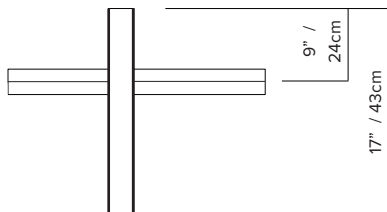
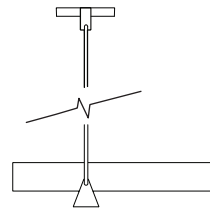
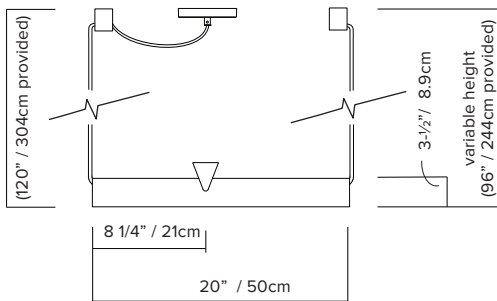




MILE 02

A collaboration between Lambert & Fils and Guillaume Sasseville, Mile offers a variation on the linear suspension, pared down to its simplest, asymmetrical expression, with two lines floating in surprising equilibrium. Direct and indirect light are separated by a 90° pivot, thus marking out space with light. A play on contrasts, Mile is part art installation and part utilitarian light. The use of linear LED technology and the cords clamped into the structure add to the weightless, almost levitating feel of the lamp.

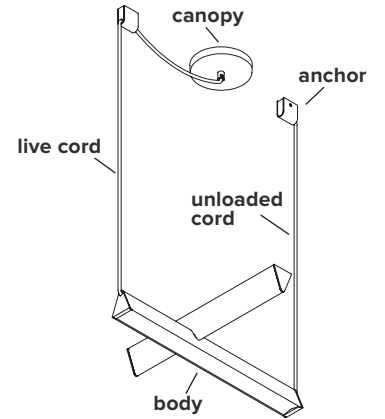
- type:** suspension
- construction:** powder coated or polished aluminum body
frosted polycarbonate opal diffuser
powder coated aluminum canopy, steel anchor
polyester cord
- specifications:** source: AC LED board
power consumption: 45W
lumen output:
LED 2700K uplight 641 lumens / downlight 885 lumens
LED 3000K uplight 699 lumens / downlight 965 lumens
colour rendering index: ≥90 CRI
colour consistency: 3 SDCM
expected lifetime: 50 000h
- control:** 120-240V on/off, trailing edge (reverse phase)
refer to our recommended list of dimmer models
- cord length:** unloaded wire 96" / 244cm
loaded wire 120" / 304cm
- weight:** 3.9lb / 1.8kg
- certifications:**     IP20
- warranty:** 2 years



*dimensions are approximate and may vary slightly

ORDER GUIDE: SKU

COLLECTION		MODEL	BODY/CORD/ANCHOR		CANOPY	COLOUR TEMPERATURE (CCT)		
Mile	mile	02	BL	black	WH	white*	WL	warm light (2700K)
			BU	burgundy			NL	neutral light (3000K)
			BG	beige				
			GN	green				
			WH	white				
			AL	aluminium				
MIL		02	BL		WH		WL	= MIL02BLWHWL example



BODY, CORD AND ANCHOR



CANOPY



*body colours also available as custom

NOTES:

- must be installed by an electrician
- LED may only be changed by Lambert & Fils or other authorized personnel
- not protected against liquids (refer to IP20)
- additional charges for modifications or for special orders
- please refer to maintenance sheet on website for cleaning instructions

DIMMER SPECIFICATIONS

TESTED DIMMER COMPATIBILITY LIST - 120V*

Compatible with reverse phase or phase dimming (trailing edge**)

<u>DIMMER BRAND</u>	<u>MODEL NUMBER</u>	<u>MIN LEVEL</u>	<u>MAX LEVEL</u>	<u>FLICKERING</u>	<u>OVERALL QUOTE</u>
LUTRON - MAESTRO	MAELV-600	10%	100%	0%-10%	good
LUTRON - SKYLARK	SELV-300P	10%	100%	no	very good
LUTRON - SKYLARK	SELV-303P	10%	100%	no	very good
LUTRON - SKYLARK	CTELV-303P	10%	100%	no	very good
LUTRON - DIVA	DVELV-300P	10%	100%	no	very good
LEGRAND - ADORNE	TRUE UNIVERSAL	30%	100%	no	good

Some dimmers require a minimum load, check specifications.

*Other dimmers can yield good results and we recommend conducting your own test before final installation

**Trailing edge is also known as ELV or Reverse Phase.

EU ENERGY LABEL

