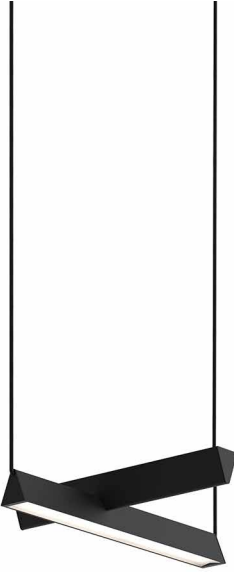



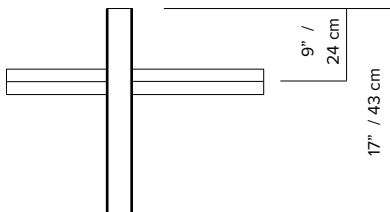
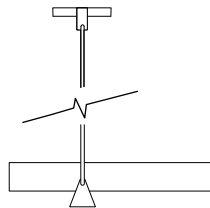
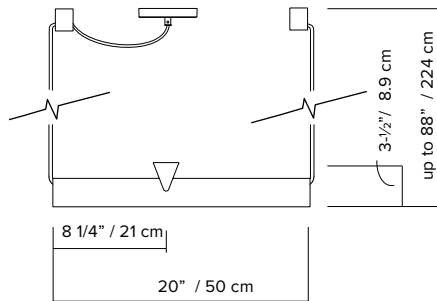


MILE 02



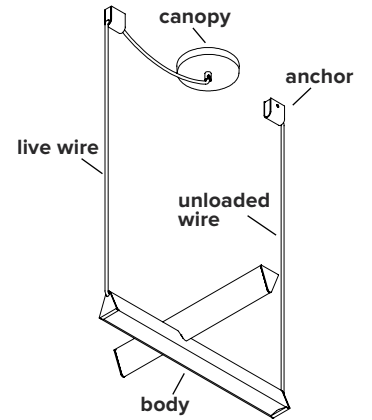
type:	suspension	
materials:	body:	powder coated aluminum
	lens:	frosted polycarbonate
	canopy and anchors:	powder coated aluminum & steel
	wire:	polyester
wire length:	108" (274cm) live wire feed 84" (213cm) unloaded wire	
weight:	3.9 lb / 1.8 kg	
light source:	AC LED board 45 W uplight 641 lumens / downlight 885 lumens LED 2700K 50 000 H CRI ≥90 2 years warranty 3 SDCM consistency	
voltage:	120V / 220-240V	
dimmer:	refer to our recommended list of dimmer models	
certifications:	   IP20	

- notes:**
- must be installed by an electrician
 - LED may only be changed by Lambert & Fils or other authorized personnel
 - additional charges for modifications or for special orders
 - dimensions are approximate and may vary slightly

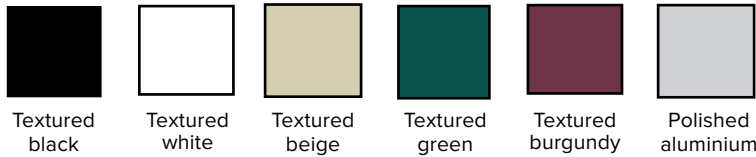


ORDER GUIDE: SKU

COLLECTION		MODEL	COLOUR (body/wire/anchor)		COLOUR (canopy)	MOUNTING TYPE		
Mile	mile	01	BL	black	WH	white*	SM	single mounting
			BU	burgundy			RM	row mounting (please consult sales team)
			BG	beige				
			GN	green				
			WH	white				
			AL	aluminium				
MIL		01	BL		WH		SM	= MIL01BLWHSM example



BODY, WIRES AND ANCHORS

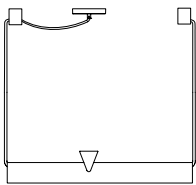


CANOPY

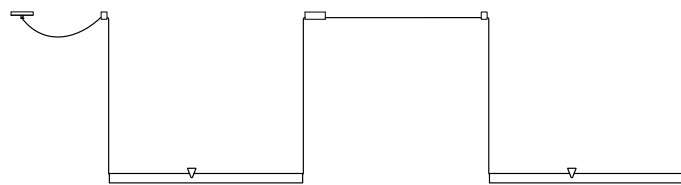


*body colors also available as custom

MOUNTING TYPE

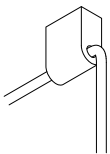


Single mounting

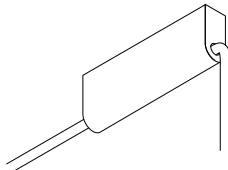


Row mounting available
(max 600W)

ANCHORS



Regular anchor



Connecting anchor
for row mounting

DIMMER SPECIFICATIONS

TESTED DIMMER LIST COMPATIBILITY – 120V

The dimming technology offering the best results is ELV (electronic low voltage) dimmers with reverse phase or trailing edge control.

<u>DIMMER BRAND</u>	<u>MODEL NUMBER</u>	<u>MAX LEVEL</u>	<u>MIN LEVEL</u>	<u>FLICKERING</u>	<u>OVERALL QUOTE</u>
LUTRON - MAESTRO	MAELV-600	100%	10%	0%-10%	good
LUTRON - SKYLARK	SELV-300P	100%	10%	no	very good
LUTRON - SKYLARK	SELV-303P	100%	10%	no	very good
LUTRON - SKYLARK	CTELV-303P	100%	10%	no	very good
LUTRON - DIVA	DVELV-300P	100%	10%	no	very good
LEGRAND - ADORNE	TRUE UNIVERSAL	100%	30%	no	good

*Other dimmers can yield good results and we recommend conducting your own test before final installation.

EU ENERGY LABEL

