



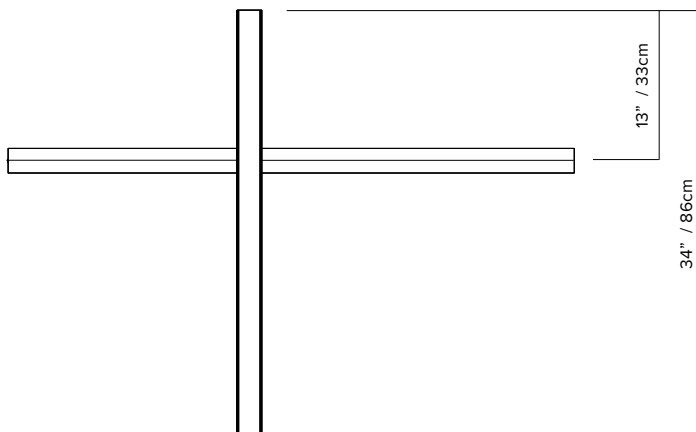
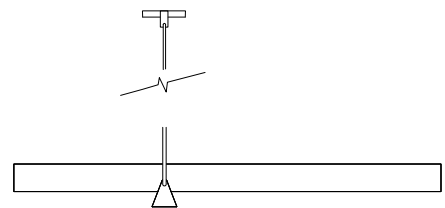
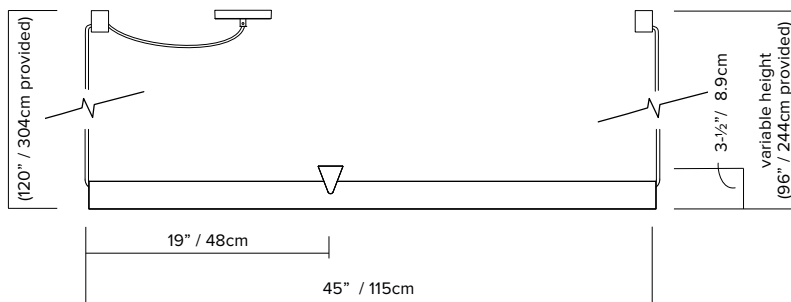




## MILE 01

A collaboration between Lambert & Fils and Guillaume Sasseville, Mile offers a variation on the linear suspension, pared down to its simplest, asymmetrical expression, with two lines floating in surprising equilibrium. Direct and indirect light are separated by a 90° pivot, thus marking out space with light. A play on contrasts, Mile is part art installation and part utilitarian light. The use of linear LED technology and the cords clamped into the structure add to the weightless, almost levitating feel of the lamp.

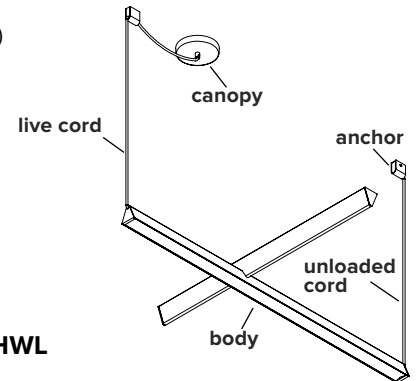
- type:** suspension
- construction:** powder coated or polished aluminum body  
frosted polycarbonate opal diffuser  
powder coated aluminum canopy, steel anchor  
polyester cord
- specifications:** source: AC LED board  
power consumption: 105W  
lumen output:  
LED 2700K - uplight 1685 lumens / downlight 2243 lumens  
LED 3000K - uplight 1837 lumens / downlight 2445 lumens  
colour rendering index: ≥90 CRI  
colour consistency: 3 SDCM  
expected lifetime: 50 000h
- control:** 120-240V on/off, trailing edge (reverse phase)  
refer to our recommended list of dimmer models
- cord length:** unloaded wire 96" / 244cm  
loaded wire 120" / 304cm
- weight:** 7.2lb / 3.3kg
- certifications:**     IP20
- warranty:** 2 years



\*dimensions are approximate and may vary slightly

## ORDER GUIDE: SKU

| COLLECTION |      | MODEL     | BODY/CORD/ANCHOR |           | CANOPY    | COLOUR TEMPERATURE (CCT) |           |                       |
|------------|------|-----------|------------------|-----------|-----------|--------------------------|-----------|-----------------------|
| Mile       | mile | 01        | <b>BL</b>        | black     | <b>WH</b> | white*                   | <b>WL</b> | warm light (2700K)    |
|            |      |           | <b>BU</b>        | burgundy  |           |                          | <b>NL</b> | neutral light (3000K) |
|            |      |           | <b>BG</b>        | beige     |           |                          |           |                       |
|            |      |           | <b>GN</b>        | green     |           |                          |           |                       |
|            |      |           | <b>WH</b>        | white     |           |                          |           |                       |
|            |      |           | <b>AL</b>        | aluminium |           |                          |           |                       |
| <b>MIL</b> |      | <b>01</b> | <b>BL</b>        |           | <b>WH</b> |                          | <b>WL</b> | = <b>MIL01BLWHWL</b>  |
|            |      |           |                  |           |           |                          |           | <b>example</b>        |



### BODY, CORD AND ANCHOR



textured black



textured white



textured beige



textured green



textured burgundy



polished aluminium

### CANOPY



flat white

\*body colours also available as custom

### NOTES:

- must be installed by an electrician
- LED may only be changed by Lambert & Fils or other authorized personnel
- not protected against liquids (refer to IP20)
- additional charges for modifications or for special orders
- please refer to maintenance sheet on website for cleaning instructions

## DIMMER SPECIFICATIONS

### TESTED DIMMER COMPATIBILITY LIST - 120V\*

Compatible with reverse phase or phase dimming (trailing edge\*\*)

| <u>DIMMER BRAND</u> | <u>MODEL NUMBER</u> | <u>MIN LEVEL</u> | <u>MAX LEVEL</u> | <u>FLICKERING</u> | <u>OVERALL QUOTE</u> |
|---------------------|---------------------|------------------|------------------|-------------------|----------------------|
| LUTRON - MAESTRO    | MAELV-600           | 10%              | 100%             | 0%-10%            | good                 |
| LUTRON - SKYLARK    | SELV-300P           | 10%              | 100%             | no                | very good            |
| LUTRON - SKYLARK    | SELV-303P           | 10%              | 100%             | no                | very good            |
| LUTRON - SKYLARK    | CTELV-303P          | 10%              | 100%             | no                | very good            |
| LUTRON - DIVA       | DVELV-300P          | 10%              | 100%             | no                | very good            |
| LEGRAND - ADORNE    | TRUE UNIVERSAL      | 30%              | 100%             | no                | good                 |

Some dimmers require a minimum load, check specifications.

\*Other dimmers can yield good results and we recommend conducting your own test before final installation

\*\*Trailing edge is also known as ELV or Reverse Phase.

## EU ENERGY LABEL

