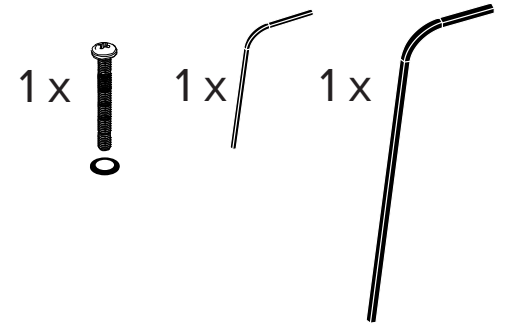
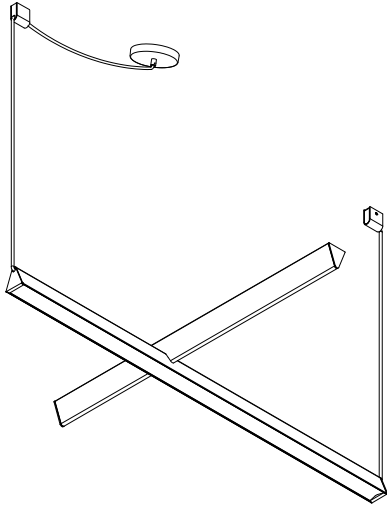




MILE 01, 02, 03

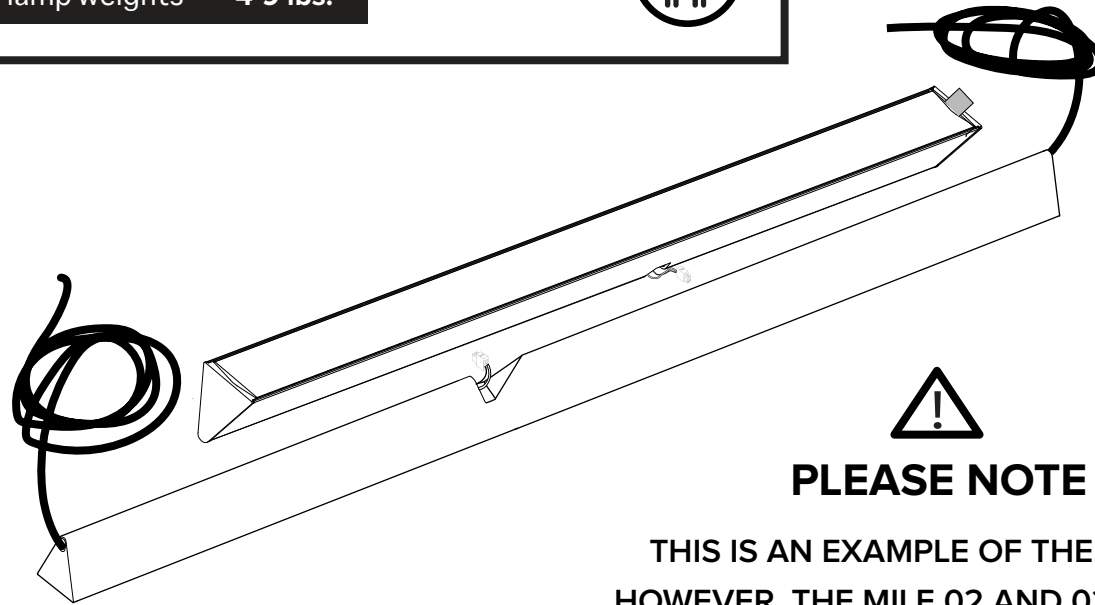
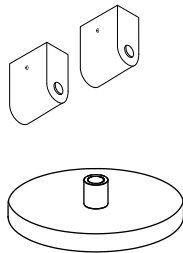




- To be installed by an electrician to an electrical box
- Use appropriate screws and anchors where necessary
- Wear enclosed gloves when handling lamp
- Handle materials with care. Please consult lamp maintenance sheet on our web site
- Should be used exclusively as a lamp and not as a shelving, display or hanging unit

lamp weights 4-9 lbs.





PLEASE NOTE

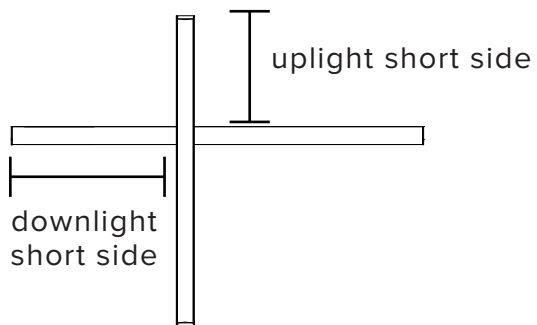
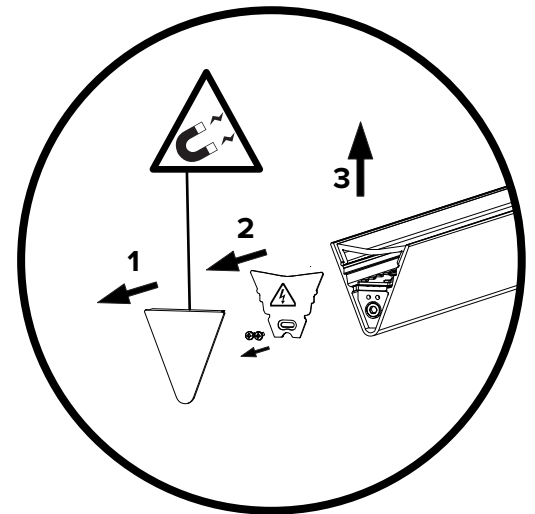
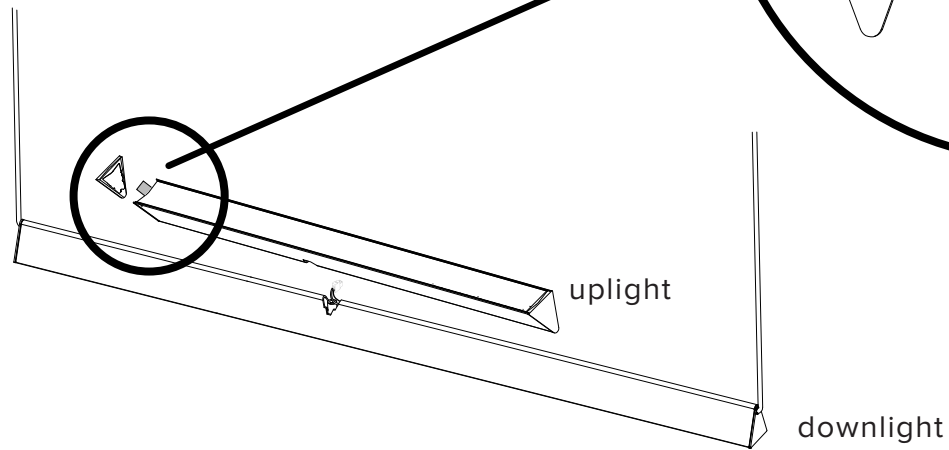
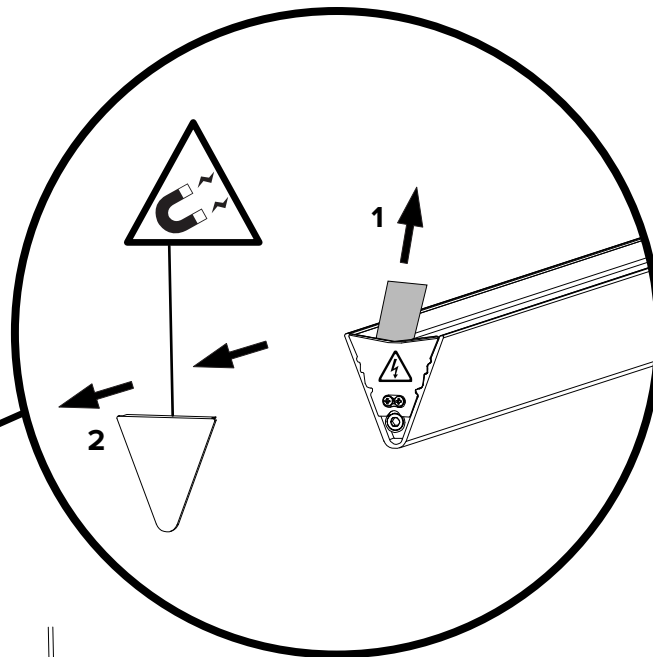
THIS IS AN EXAMPLE OF THE MILE 01.
HOWEVER, THE MILE 02 AND 03 FOLLOW
THE SAME INSTALLATION PROCESS.

1

Remove endcap on short side of uplight.

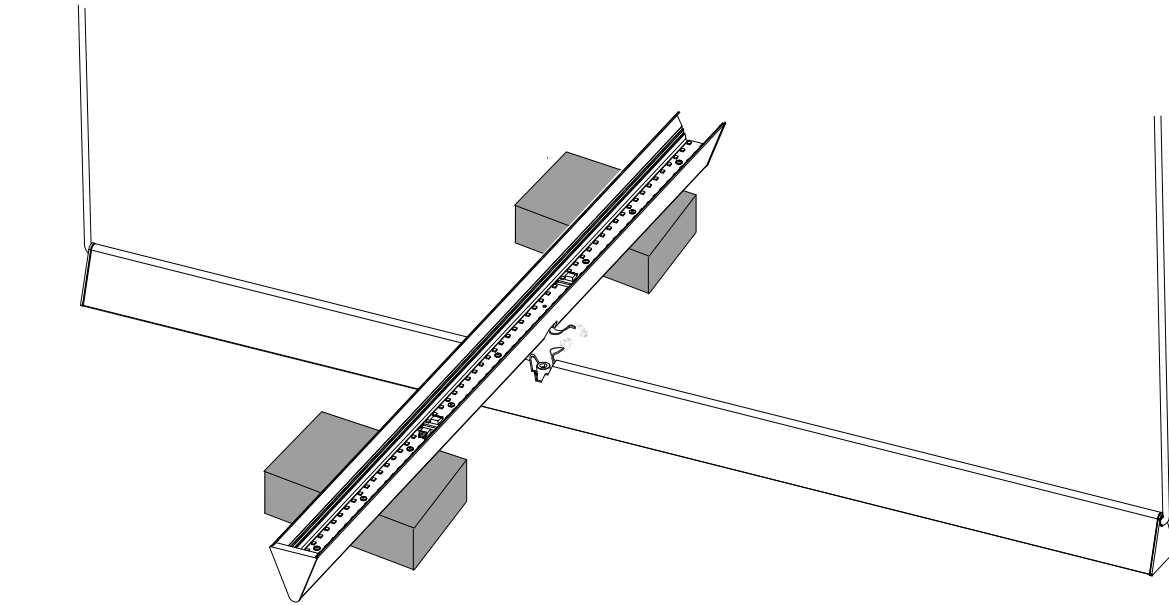
It is held in place with a magnet.

Pull tape up to remove lens
then **remove tape**.



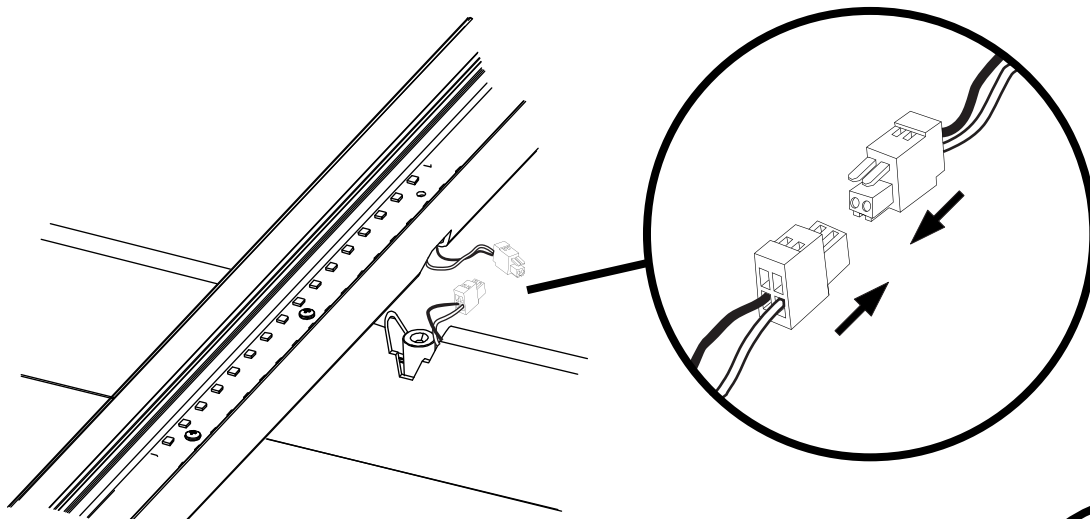
**Becareful when removing endcap that
it does not stick to other surfaces which
could result in scratches in the paint.**

If you need to access LED board
or connector screw in the future,
follow these steps.



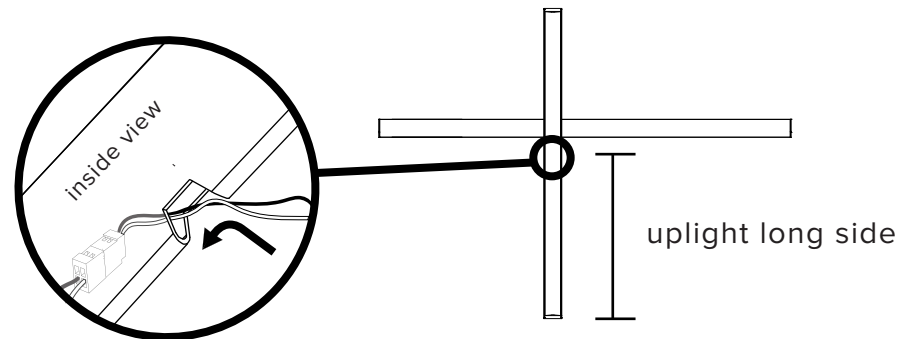
2

Before connecting the two sections of your luminaire, rest the upright on the foam in which it was shipped.



3

Make the connection between the two sections. Then carefully push them back into the upright long side.



4

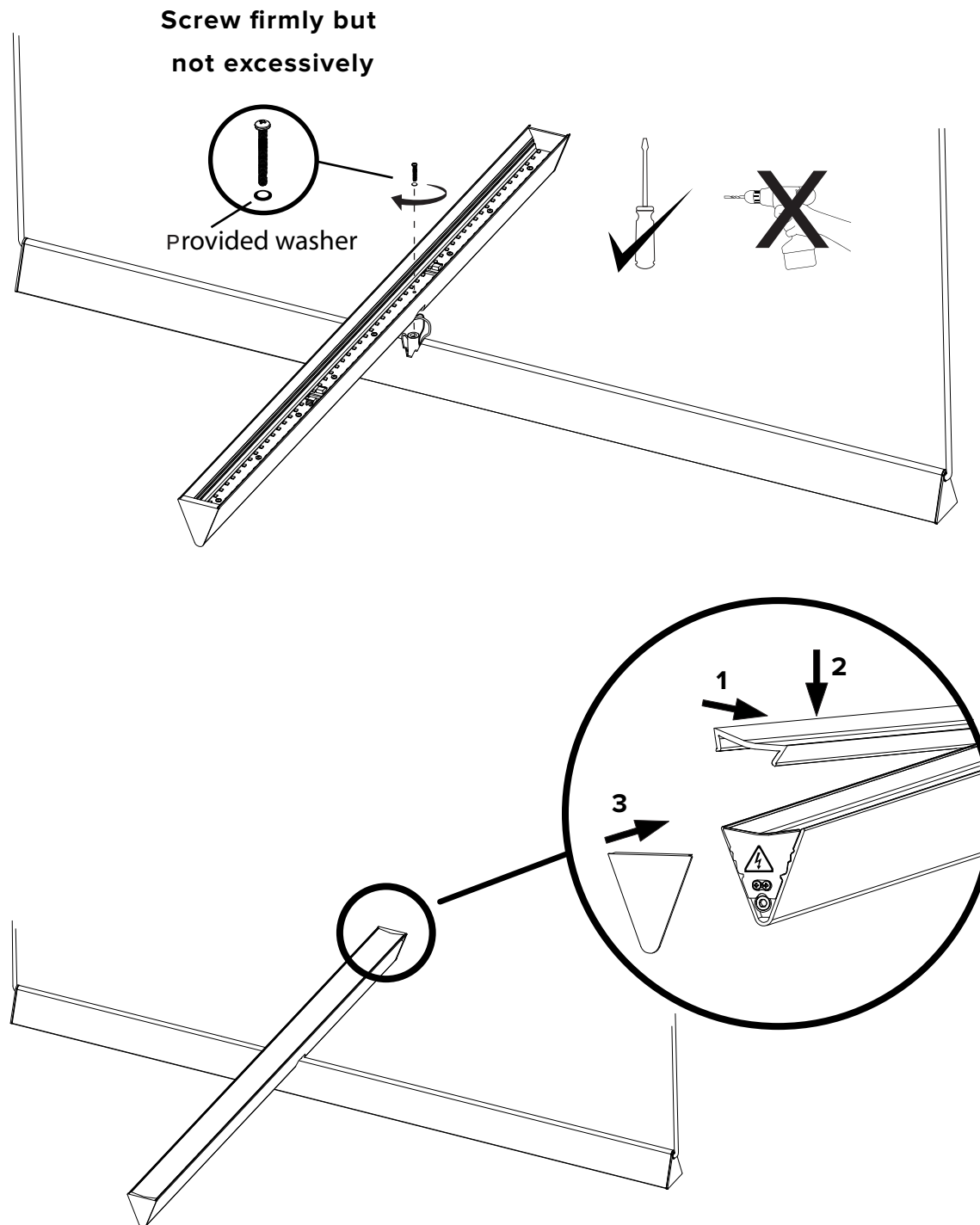
Reorientate upright into the slot of the downlight.
Screw it into place with provided screw and washer



Make sure the wire connection is not in the way of the screw.
Do not pinch or scuff wires.

5

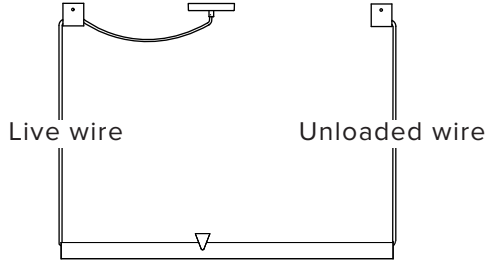
Slide lens into opposite endcap (1)
then snap lens back into slots (2).
Replace endcap (3).



6

Mount live wire feed first.

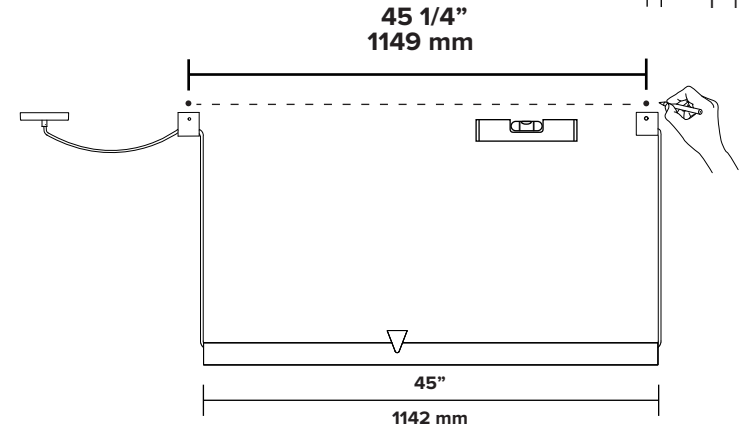
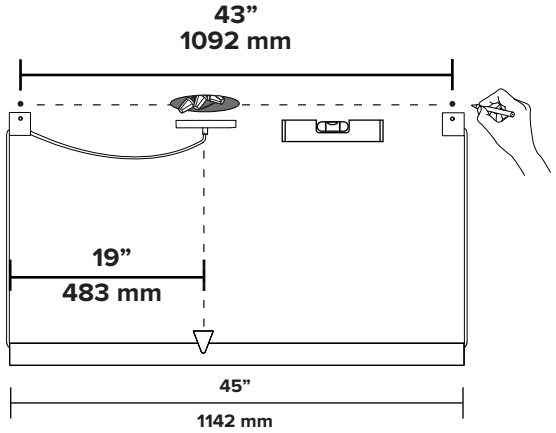
Be sure all ceiling holes are aligned.
We recommend you mount luminaire with upright aligned with junction box.



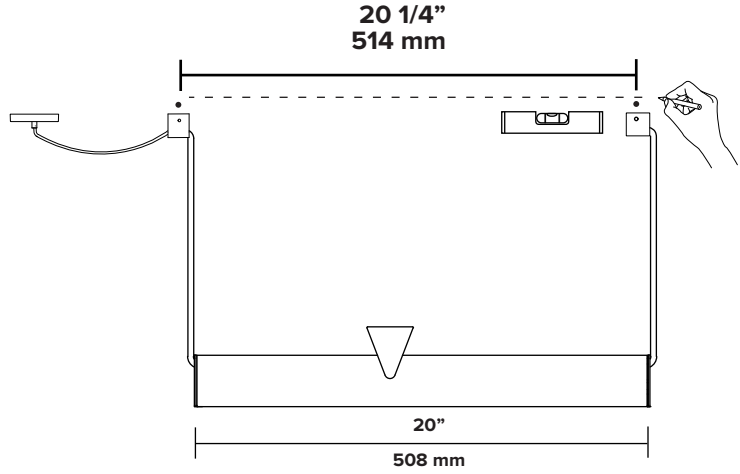
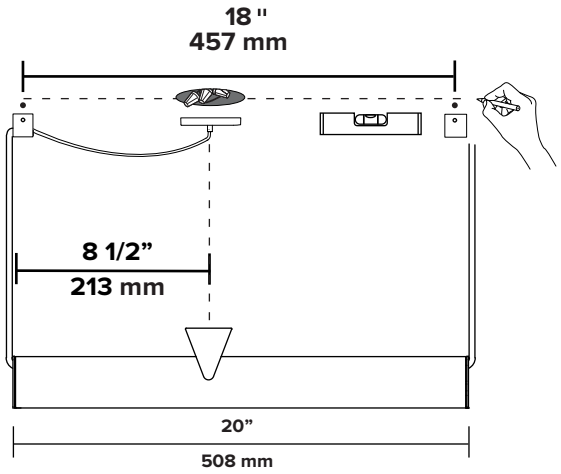
Make sure to use appropriate anchors for ceiling material

1" 25 mm
Please note the edge of your luminaire will be 1" from your anchor hole.

MILE 01 & MILE 03

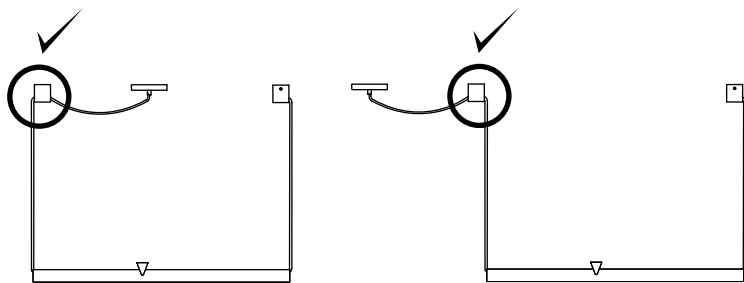
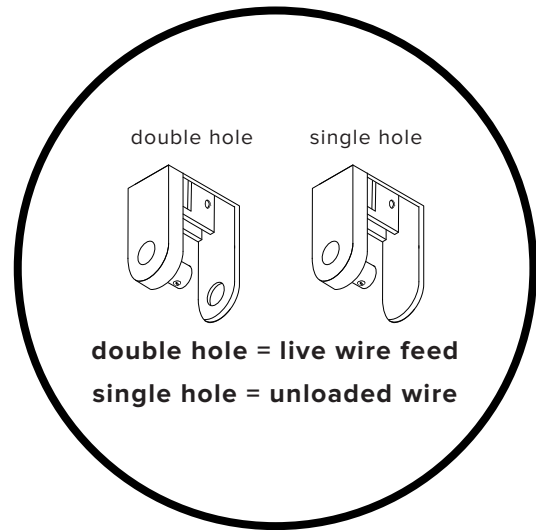



MILE 02

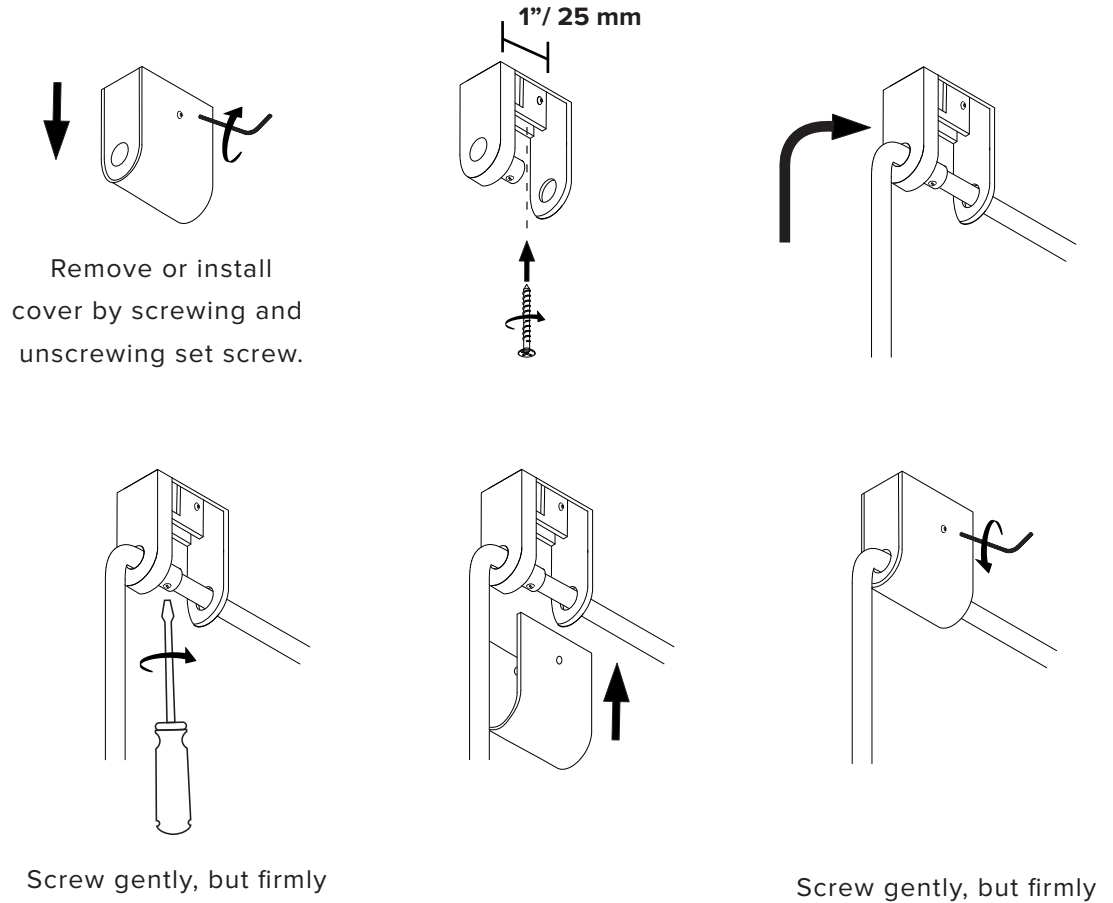


7

Mount live wire feed.
Pull wires to straighten them
before mounting them.

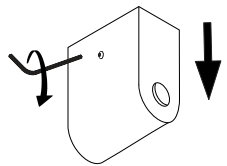
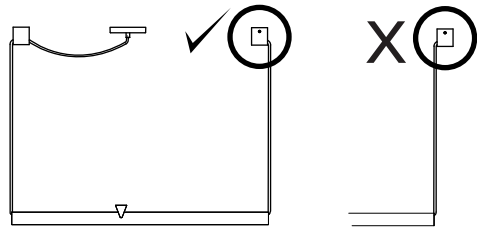



Make sure to use appropriate
anchors for ceiling material

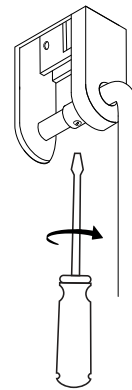
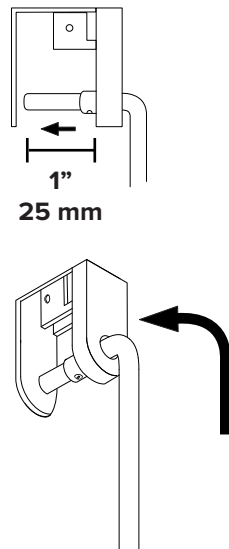
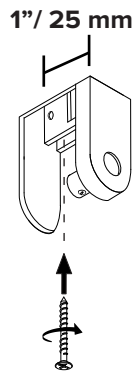


8

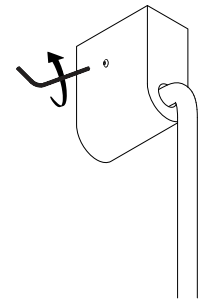
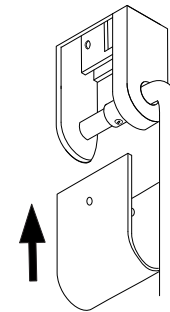
Mount unloaded wire
after live wire.



Remove or install
cover by screwing and
unscrewing set screw.



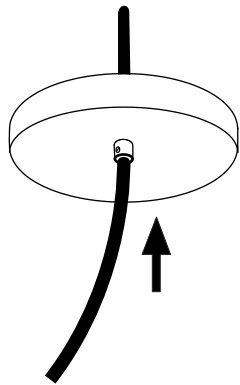
Screw gently, but firmly



Screw gently, but firmly

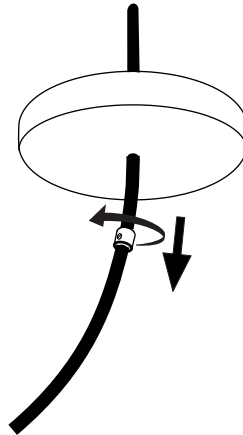
9

Pass wire through canopy



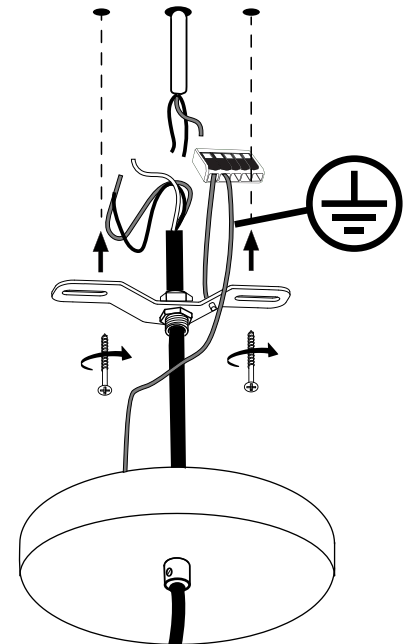
10

Unscrew and lower canopy strain relief

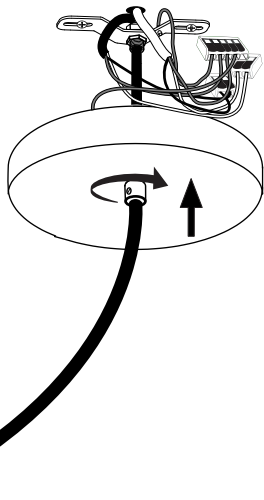


11

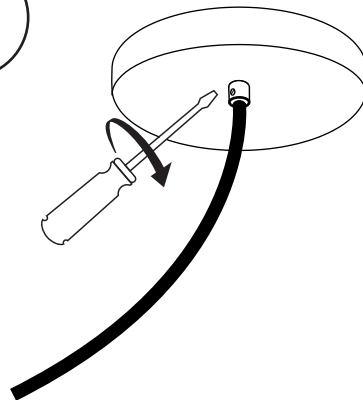
Make connection



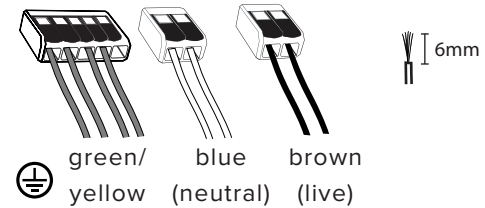
12



13



CE



green/
yellow

blue
(neutral)

brown
(live)

6mm

14

Adjust balance of downlight by adjusting length of wires if necessary.

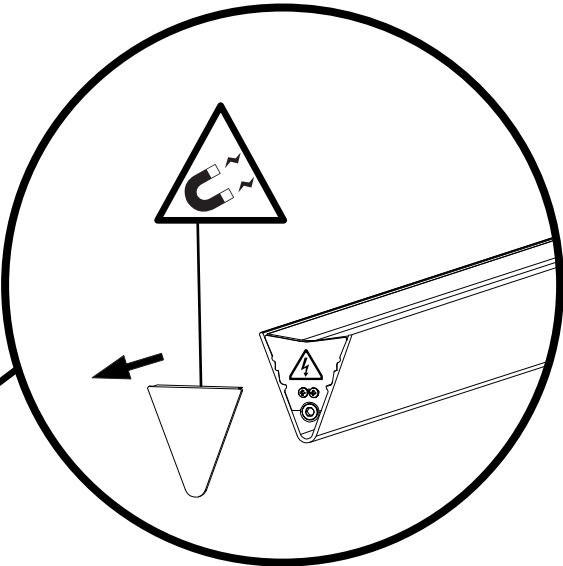
Adjust balance of uplight by adjusting inner balance if necessary.



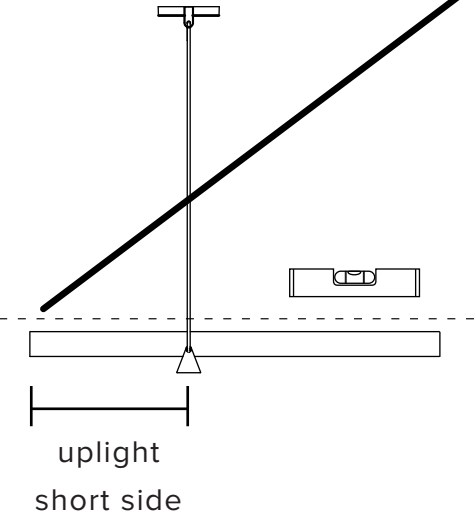
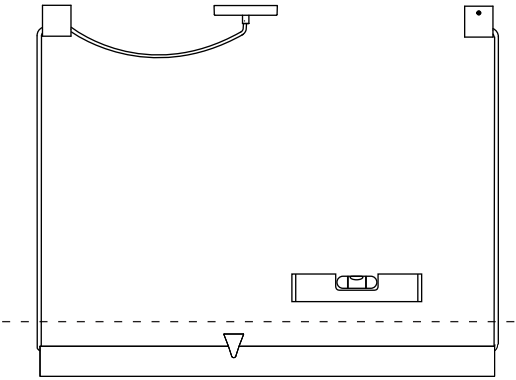
Before adjusting wire length or interior weight, carefully attempt to balance the luminaire by hand. The wire's flex can allow micro adjustments of their own.

Should uplight adjustments be needed, remove endcap on short side arm.

Endcap is held in place with a magnet.



Be careful when removing endcap that it does not stick to other surfaces which could result in scratches in the paint.

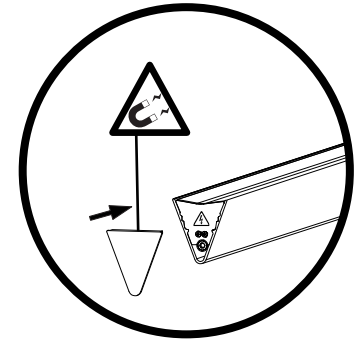
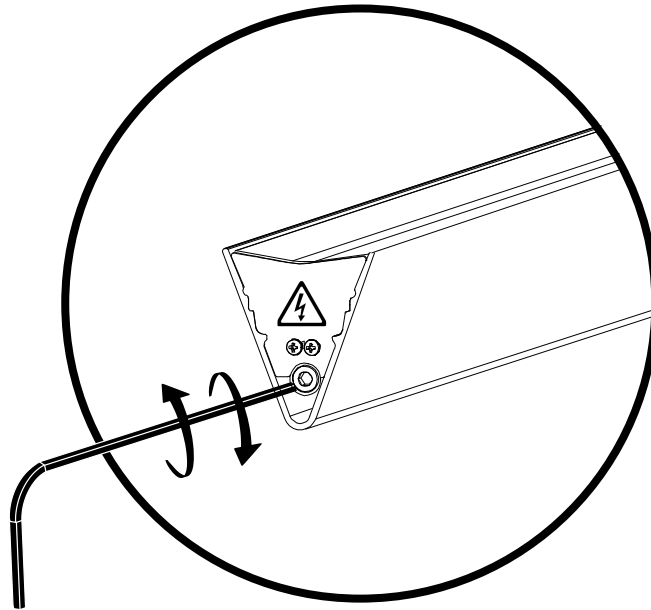


The adjustment screw holding the balance weight is now visible. Use supplied allen key to screw weight in or out depending on balance.



Note that the endcap affects final balance of luminaire!

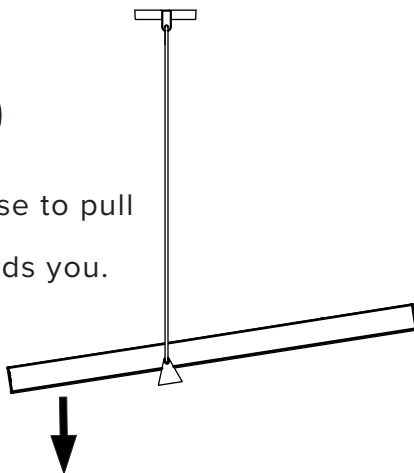
Luminaire will not appear balanced until the cap is in place.



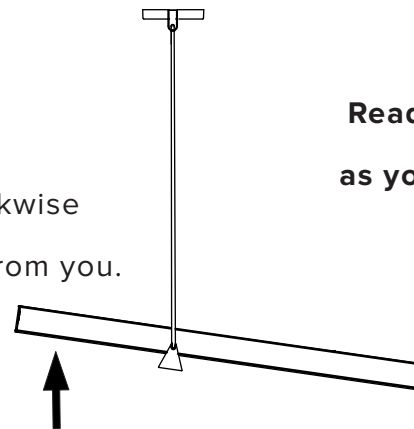
Replace endcap when adjustments are complete



Screw clockwise to pull weight towards you.



Screw counter-clockwise to push weight away from you.



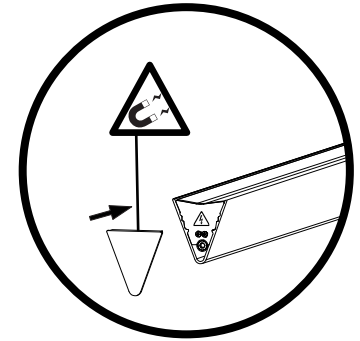
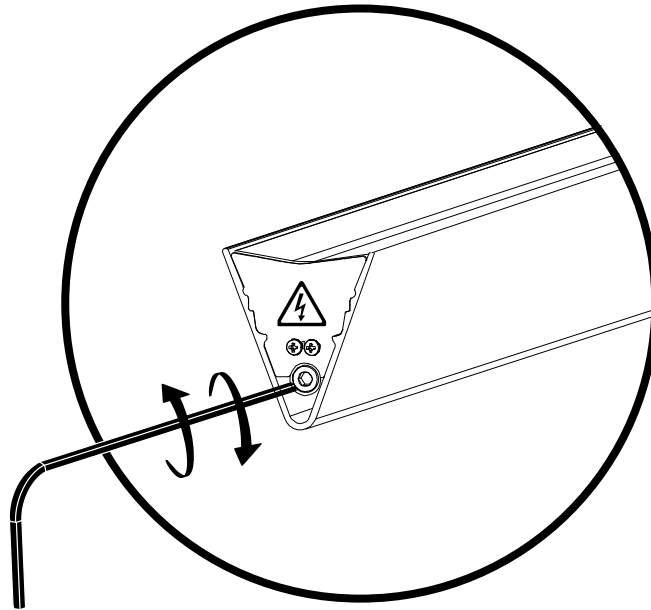
Readjustments may be required as your luminaire settles and the wires flex.

The adjustment screw holding the balance weight is now visible. Use supplied allen key to screw weight in or out depending on balance.



Note that the endcap affects final balance of luminaire!

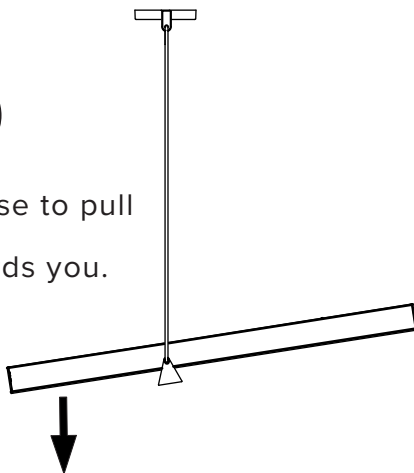
Luminaire will not appear balanced until the cap is in place.



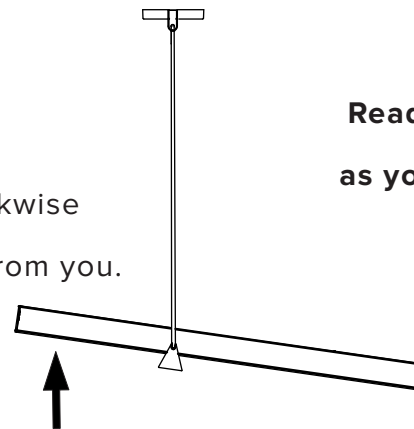
Replace endcap when adjustments are complete



Screw clockwise to pull weight towards you.



Screw counter-clockwise to push weight away from you.



Readjustments may be required as your luminaire settles and the wires flex.